

## Inline terminal - IB IL 24 DI 16-PAC - 2861250

Please be informed that the data shown in this PDF Document is generated from our Online Catalog. Please find the complete data in the user's documentation. Our General Terms of Use for Downloads are valid (<http://phoenixcontact.com/download>)



Inline, Digital input, Digital inputs: 16, 24 V DC, 3-conductor, Transmission speed in the local bus 500 kBit/s, Degree of protection IP20, including Inline connectors and marking fields

### Product Description

The digital Inline input terminals are designed for the connection of digital signals as are supplied from control switches, limit switches or proximity switches.

All the typical applications are covered by the standard automation terminals.

The I/O equipment is connected by a simple or an extended Inline plug, depending on the number of channels. The multi-wire connection method is available in both cases.

The Inline terminals can be labeled using hinged labeling fields. The fields have insert cards that can be labeled individually to suit the application. Additionally, there is the proven ZBFM-6... Zack strip for labeling the terminal points.

### Product Features

- 16 digital inputs
- Connection of sensors in 2 and 3-wire technology
- Maximum permissible load current per sensor: 250 mA
- Diagnostic and status indicators
- Approved for use in potentially explosive areas (refer to data sheet)



### Key Commercial Data

Packing unit	1 pc
Weight per Piece (excluding packing)	232.0 g
Custom tariff number	85389091
Country of origin	Germany

### Technical data

#### Note

Utilization restriction	EMC: class A product, see manufacturer's declaration in the download area
-------------------------	---

### Dimensions

## Inline terminal - IB IL 24 DI 16-PAC - 2861250

### Technical data

#### Dimensions

Width	48.8 mm
Height	140.5 mm
Depth	71.5 mm
Note on dimensions	Housing dimensions

#### Ambient conditions

Ambient temperature (operation)	-25 °C ... 55 °C
Ambient temperature (storage/transport)	-25 °C ... 85 °C
Permissible humidity (operation)	10 % ... 95 % (according to DIN EN 61131-2)
Permissible humidity (storage/transport)	10 % ... 95 % (according to DIN EN 61131-2)
Air pressure (operation)	70 kPa ... 106 kPa (up to 3000 m above sea level)
Air pressure (storage/transport)	70 kPa ... 106 kPa (up to 3000 m above sea level)
Degree of protection	IP20

#### General

Mounting type	DIN rail
Net weight	210 g
Note on weight specifications	with connectors
Operating mode	Process data mode with one word

#### Interfaces

Fieldbus system	Lokalbus
Designation	Inline local bus
Connection method	Inline data jumper
Transmission speed	500 kBit/s

#### Power supply for module electronics

Supply voltage	24 V DC (via voltage jumper)
Supply voltage range	19.2 V DC ... 30 V DC (including all tolerances, including ripple)
Supply current	60 mA
Communications power $U_L$	7.5 V (via voltage jumper)
Current consumption	max. 60 mA (from the local bus)
Power consumption	max. 0.45 W (at $U_L$ )

#### Inline potentials

Communications power $U_L$	7.5 V DC (via voltage jumper)
Current consumption from $U_L$	max. 60 mA
Main circuit supply $U_M$	24 V DC
Segment circuit supply $U_S$	24 V DC (nominal value)
Current consumption from $U_S$	max. 4 A

## Inline terminal - IB IL 24 DI 16-PAC - 2861250

### Technical data

#### Inline potentials

Power consumption	max. 0.45 W (at $U_L$ )
-------------------	-------------------------

#### Digital inputs

Input name	Digital inputs
Description of the input	EN 61131-2 type 1
Connection method	Spring-cage connection
	3-conductor
Number of inputs	16
Typical response time	< 1 ms
Protective circuit	Short-circuit and overload protection
Input voltage	24 V DC (via voltage jumper)
Input voltage range "0" signal	-3 V DC ... 5 V DC
Input voltage range "1" signal	15 V DC ... 30 V DC

#### Standards and Regulations

Test section	5 V supply, incoming remote bus/7.5 V supply (bus logics) 500 V AC 50 Hz 1 min.
	5 V supply, outgoing remote bus/7.5 V supply (bus logics) 500 V AC 50 Hz 1 min.
	7.5 V supply (bus logics)/24 V supply (I/O) 500 V AC 50 Hz 1 min.
	24 V supply (I/O) / functional earth ground 500 V AC 50 Hz 1 min.
Connection in acc. with standard	CUL
Protection class	III, IEC 61140, EN 61140, VDE 0140-1

### Classifications

#### eCl@ss

eCl@ss 4.0	27250302
eCl@ss 4.1	27250302
eCl@ss 5.0	27250302
eCl@ss 5.1	27242604
eCl@ss 6.0	27242604
eCl@ss 7.0	27242604
eCl@ss 8.0	27242604
eCl@ss 9.0	27242604

#### ETIM

ETIM 2.0	EC001430
ETIM 3.0	EC001599

# Inline terminal - IB IL 24 DI 16-PAC - 2861250

## Classifications

### ETIM

ETIM 4.0	EC001599
ETIM 5.0	EC001599

### UNSPSC

UNSPSC 6.01	43172015
UNSPSC 7.0901	43201404
UNSPSC 11	43172015
UNSPSC 12.01	43201404
UNSPSC 13.2	43201404

## Approvals

### Approvals

#### Approvals


UL Recognized / cUL Recognized / LR / BV / ABS / RINA / BSH / BSH / EAC / LR / cULus Recognized

#### Ex Approvals

UL Listed / cUL Listed / ATEX / cULus Listed

#### Approvals submitted

## Approval details

UL Recognized 


cUL Recognized 

LR

BV

## Inline terminal - IB IL 24 DI 16-PAC - 2861250

### Approvals

ABS
RINA
BSH
BSH
EAC
LR
cULus Recognized 

### Accessories

#### Accessories

##### Connector set

Connector set - IB IL DI16-PLSET/ICP - 2860989



Connector set, for IB IL DI 16, copper, colored identification.

##### Front adapter

Front adapters - FLKM 14-PA-INLINE/IN16 - 2302751



VARIOfACE front adapter for Inline modules, for transferring 16 (2 x 8) digital input signals.

##### Labeling panel

## Inline terminal - IB IL 24 DI 16-PAC - 2861250

### Accessories

Labeling field - IB IL FIELD 2 - 2727501

Labeling field, width: 12.2 mm



Labeling field - IB IL FIELD 8 - 2727515

Labeling field, width: 48.8 mm



### Plug

Inline connector - IB IL SCN-12 - 2726340

Connector, for digital 4 or 16-channel Inline terminals



Inline connector - IB IL SCN-12-ICP - 2727611

Connector, color coded, for digital 4, or 16-channel Inline input terminals



### Terminal marking

Insert strip - ESL 62X10 - 0809492

Insert strip, Sheet, white, unlabeled, can be labeled with: Office printing systems, Plotter: Laser printer, Mounting type: Insert, Lettering field: 62 x 10 mm



# Inline terminal - IB IL 24 DI 16-PAC - 2861250

## Accessories

Insert strip - ESL 62X46 - 0809502

Insert strip, Sheet, white, unlabeled, can be labeled with: Office printing systems, Plotter: Laser printer, Mounting type: Insert, Lettering field: 62 x 46 mm

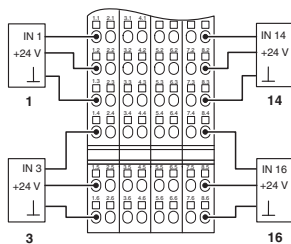


Connector set - IB IL DI/DO16-PLSET - 2860976

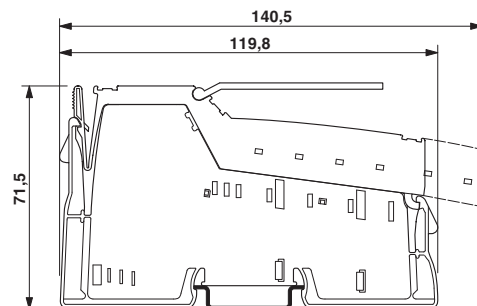
Connector set, for IB IL DI/DO 16, copper, consecutively numbered, no colored identification,

## Drawings

Connection diagram

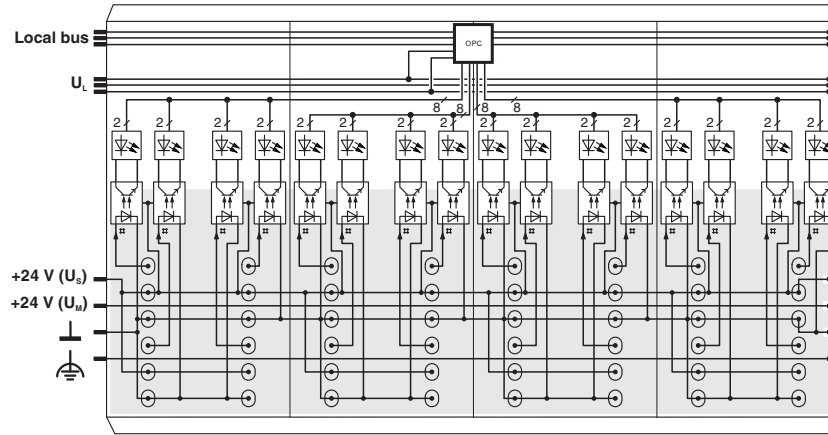


Dimensional drawing



# Inline terminal - IB IL 24 DI 16-PAC - 2861250

Block diagram





# Mouser Electronics

Authorized Distributor

Click to View Pricing, Inventory, Delivery & Lifecycle Information:

[Phoenix Contact:](#)

[2861250](#)