

4

3

2

1

THIS DRAWING IS UNPUBLISHED.

RELEASED FOR PUBLICATION

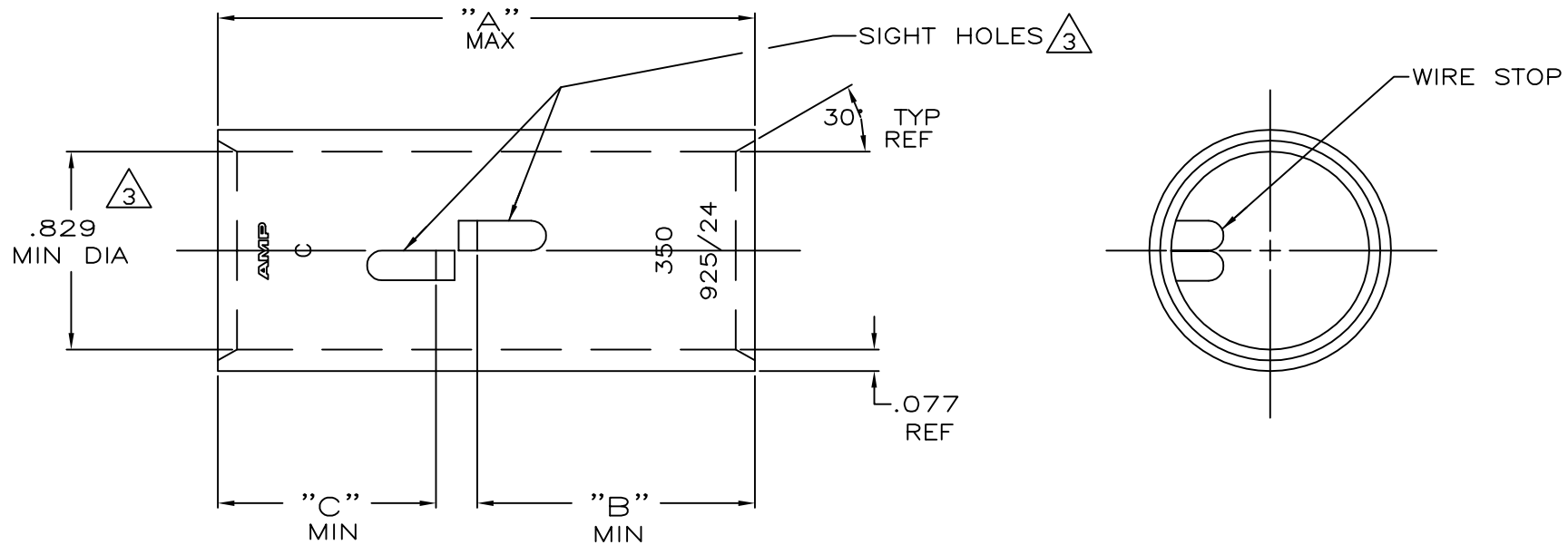
ALL RIGHTS RESERVED.

© COPYRIGHT - By -

LOC G DIST 86

REVISIONS

P	LTR	DESCRIPTION	DATE	DWN	APVD
	N	ECR-13-000998	11FEB2013	PK	HS



① TIN PL .000150 MIN THK  
MIL-T-10727

② PART NO: 324464; .146 LB.  
PART NO: 1-324464-0; .146 LB.  
PART NO: 2-324464-1; .164 LB.  
PART NO: 2-324464-2; .164 LB.

③ .045 MAX BURR ALLOWED INSIDE THE WIRE  
BARREL ID IN AREA OF SIGHT HOLE.

.91	1.16	2.29	CLEANED ①	325-375 MCM	COPPER ASTM-B-75 ANNEALED	2-324464-2
.91	.91	2.06	CLEANED ①			2-324464-1
"C"	"B"	"A"	FINISH	WIRE RANGE	MATERIAL	324464
						PART No

THIS DRAWING IS A CONTROLLED DOCUMENT.

DIMENSIONS: INCHES	TOLERANCES UNLESS OTHERWISE SPECIFIED:	DWN DK SCHRUM 4/24/89	 TE Connectivity SPLICE, BUTT, AMPPOWER WIRE SIZE: 350 MCM
	0 PLC ± -	CHK MS FEHER 4/24/89	
	1 PLC ± -	APVD WJ VOCKROTH 11/8/89	
	2 PLC ± -	NAME	
3 PLC ± -	FINISH	PRODUCT SPEC	SIZE
4 PLC ANGLES ± -	SEE TABLE	APPLICATION SPEC	CAGE CODE
MATERIAL SEE TABLE		WEIGHT	DRAWING NO
		CUSTOMER DRAWING	A3 00779 C=324464
			RESTRICTED TO
			SCALE 2:1
			SHEET 1 OF 1
			REV N

# Mouser Electronics

Authorized Distributor

Click to View Pricing, Inventory, Delivery & Lifecycle Information:

[TE Connectivity:](#)

[324464](#)