

902 MHz – 928 MHz Dipole 2dBi Antenna for Reverse Polarity SMA



ORDERING INFORMATION

Order Number	Description
001-0002	900 MHz Dipole Antenna for Reverse Polarity SMA Connector.
080-0001	U.FL to Reverse Polarity SMA Cable, 105mm

Table 1 Orderable Part Numbers

SPECIFICATIONS

Specification	Value
Peak Gain	+2 dBi
Impedance	50 ohms
Type	Dipole
Polarization	Linear Vertical
VSWR	≤2.5 : 1
Frequency	~902-928 MHz centered at 915 MHz
Weight	13g
Size	210x10 mm
Antenna Color	Black
Operating Temp	-20°C to +65°C
UL Rating	UL 94HB

Table 2 Specifications

The information in this document is subject to change without notice.
 Confirm the data is current by downloading the latest revision from www.lsr.com.

PHYSICAL DIMENSIONS (MM)

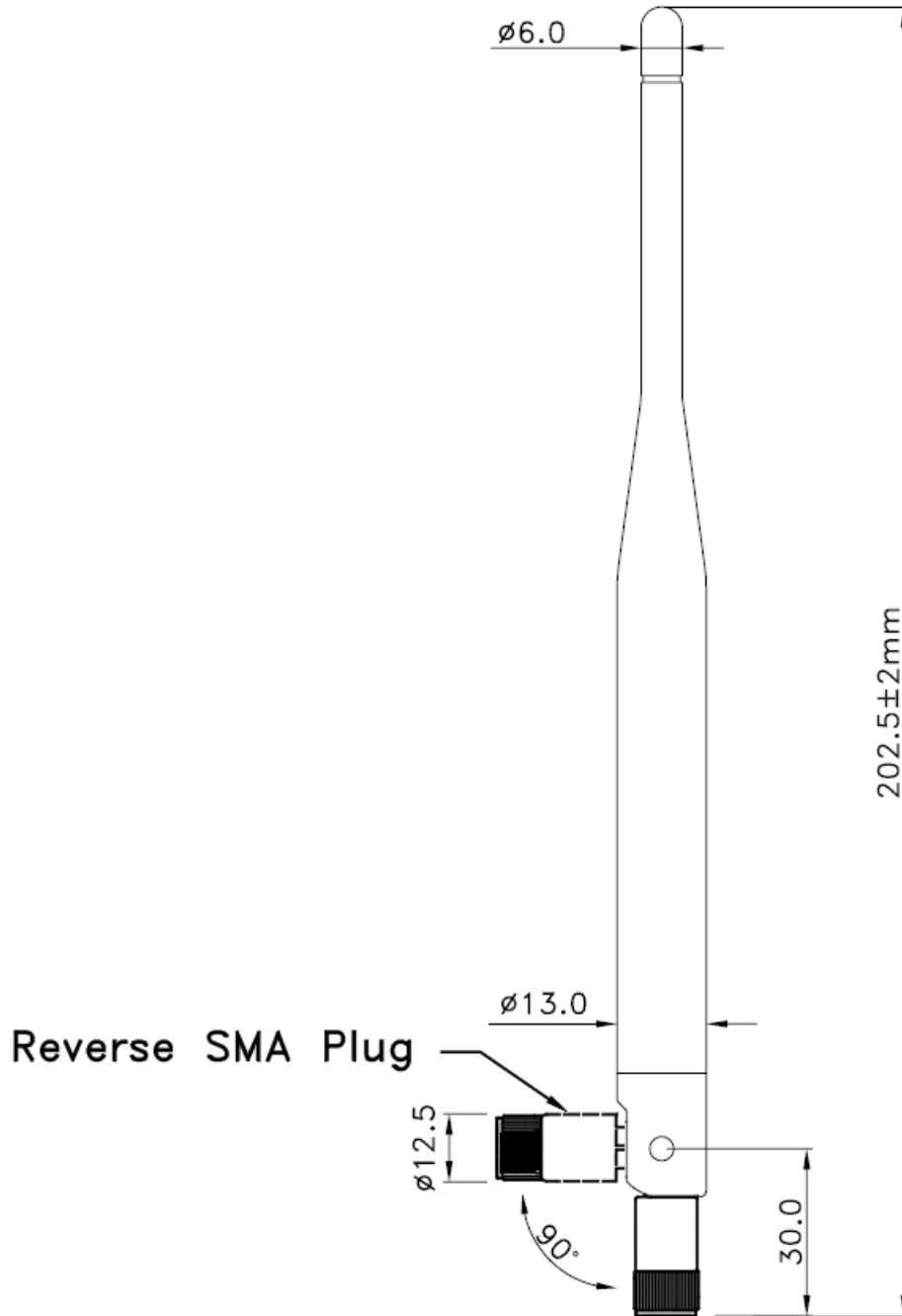
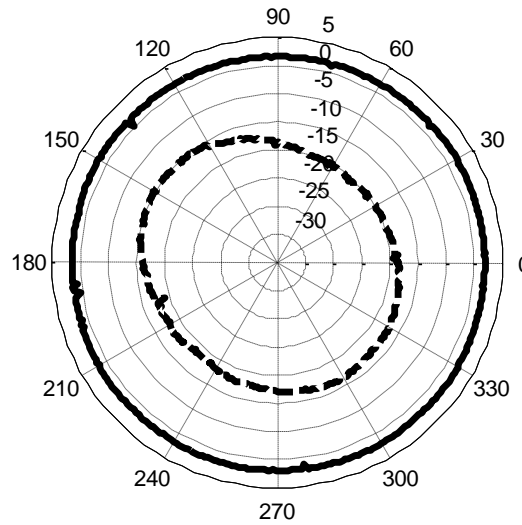


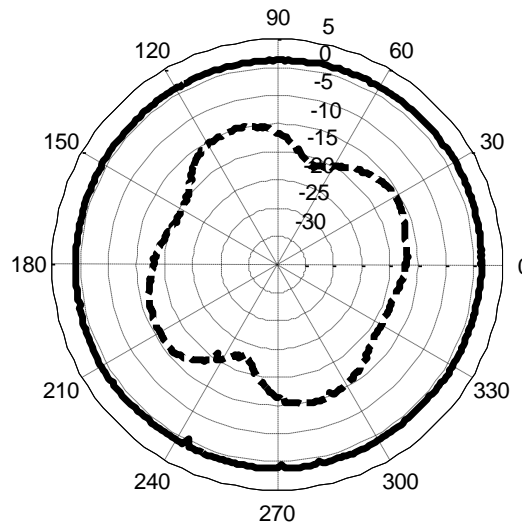
Figure 1 Physical Dimensions

ANTENNA MEASUREMENTS



____ Vertical Polarization Gain (dBi) min: +0.2 max: +2.1 avg: +1.7
 ----- Horizontal Polarization Gain (dBi) min: -16.0 max: -9.6 avg: -12.7

Figure 2 Extended Position, Vertical



____ Vertical Polarization Gain (dBi) min: -0.1 max: +1.6 avg: +1.1
 ----- Horizontal Polarization Gain (dBi) min: -17.9 max: -9.6 avg: -12.6

Figure 3 Folded Position, Vertical

The information in this document is subject to change without notice.
 Confirm the data is current by downloading the latest revision from www.lsr.com.

CONTACTING LS RESEARCH

Headquarters	LS Research, LLC W66 N220 Commerce Court Cedarburg, WI 53012-2636 USA Tel: 1(262) 375-4400 Fax: 1(262) 375-4248
Website	www.lsr.com
Technical Support	support@lsr.com
Sales Contact	sales@lsr.com

© Copyright 2018 Laird. All Rights Reserved. Patent pending. Any information furnished by Laird and its agents is believed to be accurate and reliable. All specifications are subject to change without notice. Responsibility for the use and application of Laird materials or products rests with the end user since Laird and its agents cannot be aware of all potential uses. Laird makes no warranties as to non-infringement nor as to the fitness, merchantability, or sustainability of any Laird materials or products for any specific or general uses. Laird, Laird Technologies, Inc., or any of its affiliates or agents shall not be liable for incidental or consequential damages of any kind. All Laird products are sold pursuant to the Laird Terms and Conditions of Sale in effect from time to time, a copy of which will be furnished upon request. When used as a tradename herein, Laird means Laird Limited due to the acquisition by Advent or one or more subsidiaries of Laird Limited. Laird™, Laird Technologies™, corresponding logos, and other marks are trademarks or registered trademarks of Laird. Other marks may be the property of third parties. Nothing herein provides a license under any Laird or any third party intellectual property right.

The information in this document is subject to change without notice.
Confirm the data is current by downloading the latest revision from www.lsr.com.

Mouser Electronics

Authorized Distributor

Click to View Pricing, Inventory, Delivery & Lifecycle Information:

[Laird:](#)

[001-0002](#)