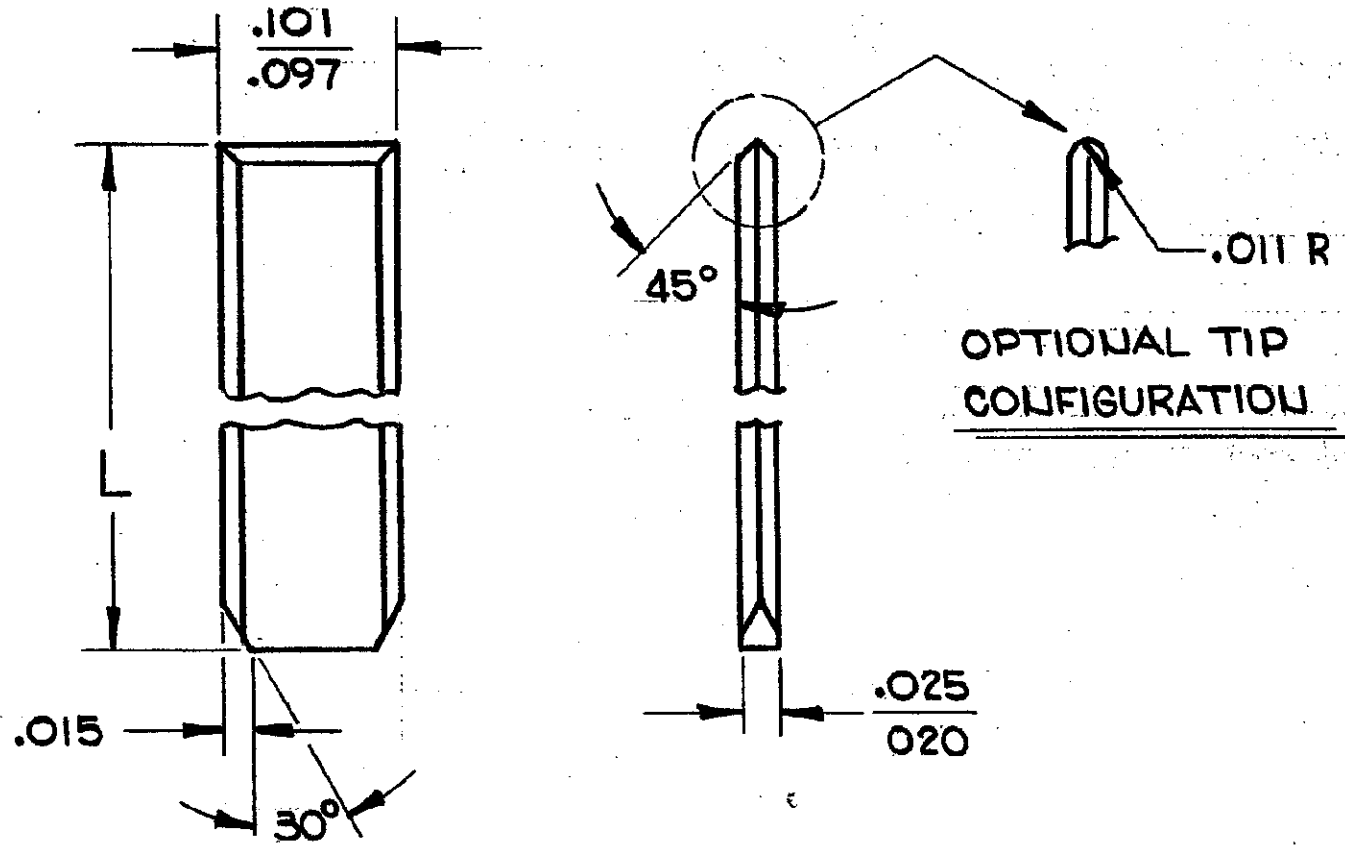


DRAWING MADE IN THIRD ANGLE PROJECTION

THIS DRAWING IS UNPUBLISHED. RELEASED FOR PUBLICATION, 19
 © COPYRIGHT 1967 BY AMP INCORPORATED, HARRISBURG, PA. ALL INTERNATIONAL RIGHTS RESERVED. AMP PRODUCTS MAY BE COVERED BY U.S. AND FOREIGN PATENTS AND/OR PATENTS PENDING.

REVISIONS					
P/F	ZONE	LTR	DESCRIPTION	DATE	APPROVED
✓		D	REVISED AND REDRAWN 678	8-31-83	H.W. Roan
✓		E	OBS -2 & -4 PER AD1831	3-22-88	LB
✓		F	REV PER EC 0320-344-47	8-11-97	NS

D
C
B
A



OBSOLETE	NYLON	NATURAL	.495/.485	583274-4
	GLASS-FILLED POLYESTER	NATURAL	.295/.275	583274-3
OBSOLETE	NYLON	YELLOW	.295/.275	583274-2
	NYLON	NATURAL	.295/.275	583274-1

MATERIAL	COLOR	L	PART NO																				
UNLESS OTHERWISE SPECIFIED DIMENSIONS ARE IN INCHES. TOLERANCES ON: DECIMALS ±.005 ANGLES ±	<table border="1"> <tr> <td>CONTRACT NO</td> <td>DR</td> <td>CHK</td> <td>APPD</td> <td>APPD</td> <td>DSGN APPD</td> <td>OTHER APPD</td> </tr> <tr> <td></td> <td>1RSWAFFUER 8-31-83</td> <td>Howard W. Roan 8/31/83</td> <td>Howard W. Roan 8/31/83</td> <td>D. D. Swaffuer 8/31/83</td> <td></td> <td></td> </tr> </table>			CONTRACT NO	DR	CHK	APPD	APPD	DSGN APPD	OTHER APPD		1RSWAFFUER 8-31-83	Howard W. Roan 8/31/83	Howard W. Roan 8/31/83	D. D. Swaffuer 8/31/83								
CONTRACT NO	DR	CHK	APPD	APPD	DSGN APPD	OTHER APPD																	
	1RSWAFFUER 8-31-83	Howard W. Roan 8/31/83	Howard W. Roan 8/31/83	D. D. Swaffuer 8/31/83																			
MATERIAL SEE CHART	<table border="1"> <tr> <td colspan="2">NAME</td> <td colspan="2">AMP INCORPORATED Harrisburg, Pa.</td> </tr> <tr> <td colspan="4">KEY FOR AMP LEAF HOUSING, INTER-CONTACT, .020 THICK</td> </tr> <tr> <td>SIZE</td> <td>FSCM NO</td> <td colspan="2">DRAWING NO</td> </tr> <tr> <td>B</td> <td>00779</td> <td colspan="2">583274</td> </tr> <tr> <td colspan="2">SCALE 10-1</td> <td colspan="2">SHEET 1 OF 1</td> </tr> </table>			NAME		AMP INCORPORATED Harrisburg, Pa.		KEY FOR AMP LEAF HOUSING, INTER-CONTACT, .020 THICK				SIZE	FSCM NO	DRAWING NO		B	00779	583274		SCALE 10-1		SHEET 1 OF 1	
NAME		AMP INCORPORATED Harrisburg, Pa.																					
KEY FOR AMP LEAF HOUSING, INTER-CONTACT, .020 THICK																							
SIZE	FSCM NO	DRAWING NO																					
B	00779	583274																					
SCALE 10-1		SHEET 1 OF 1																					
FINISH #																							

Mouser Electronics

Authorized Distributor

Click to View Pricing, Inventory, Delivery & Lifecycle Information:

[TE Connectivity:](#)

[583274-1](#)