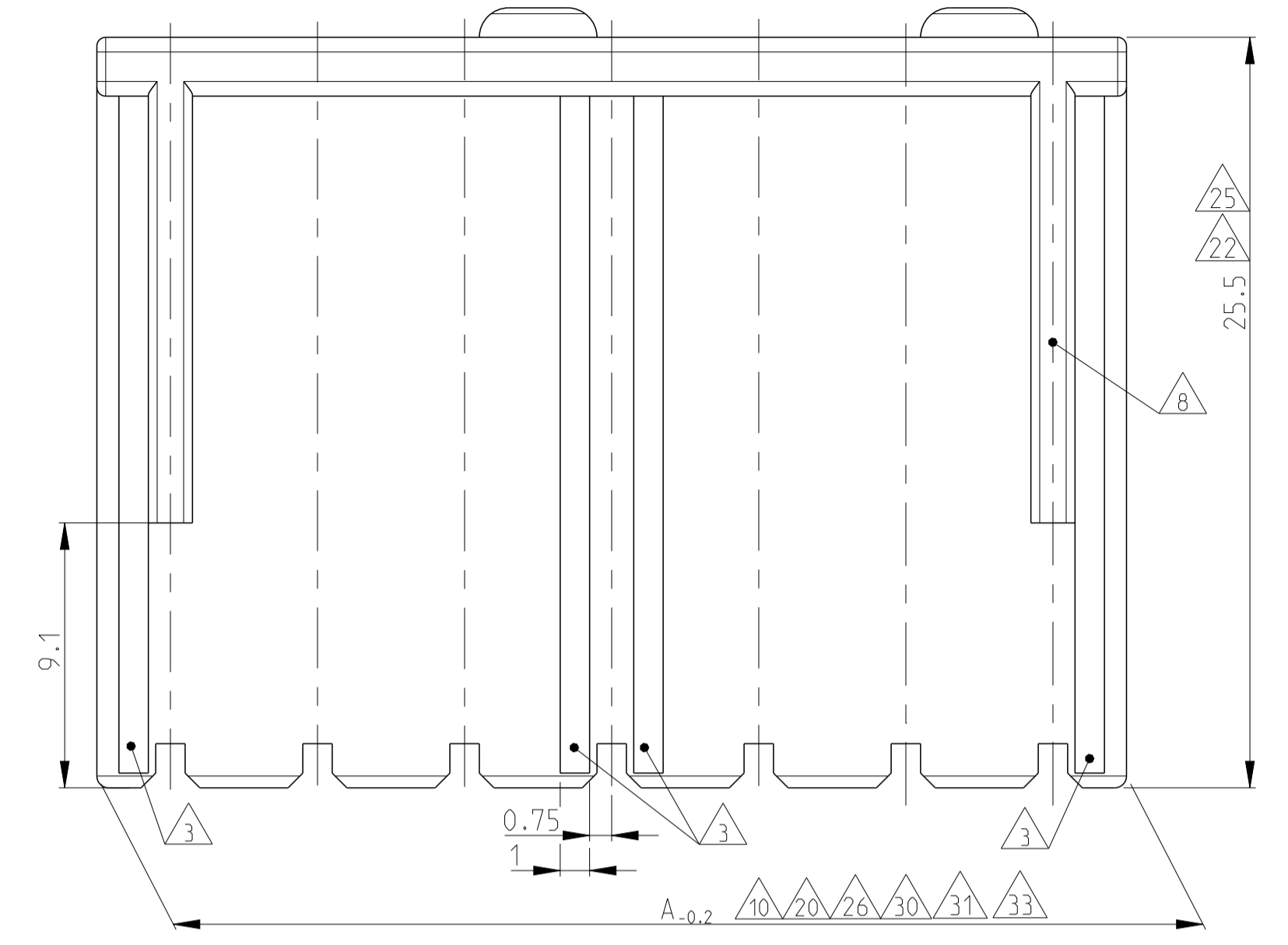
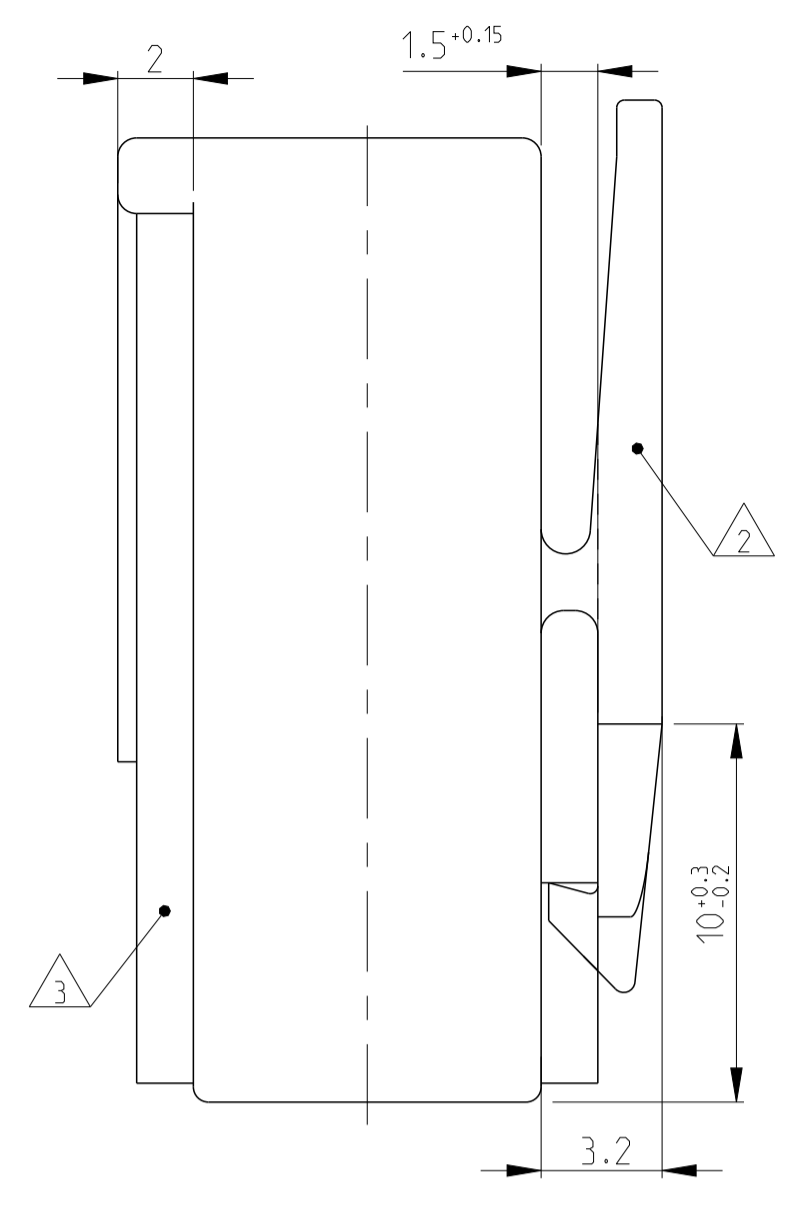
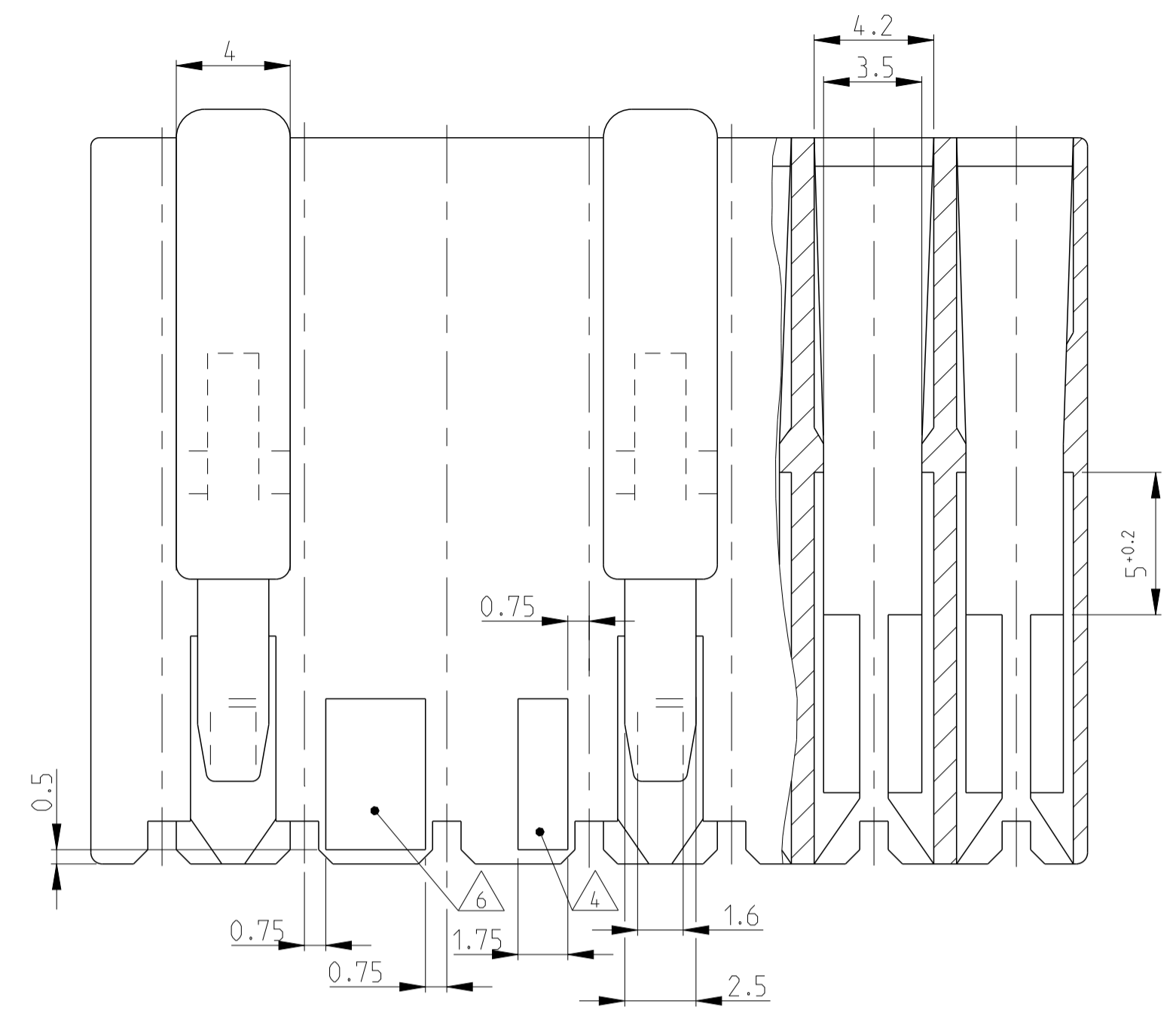
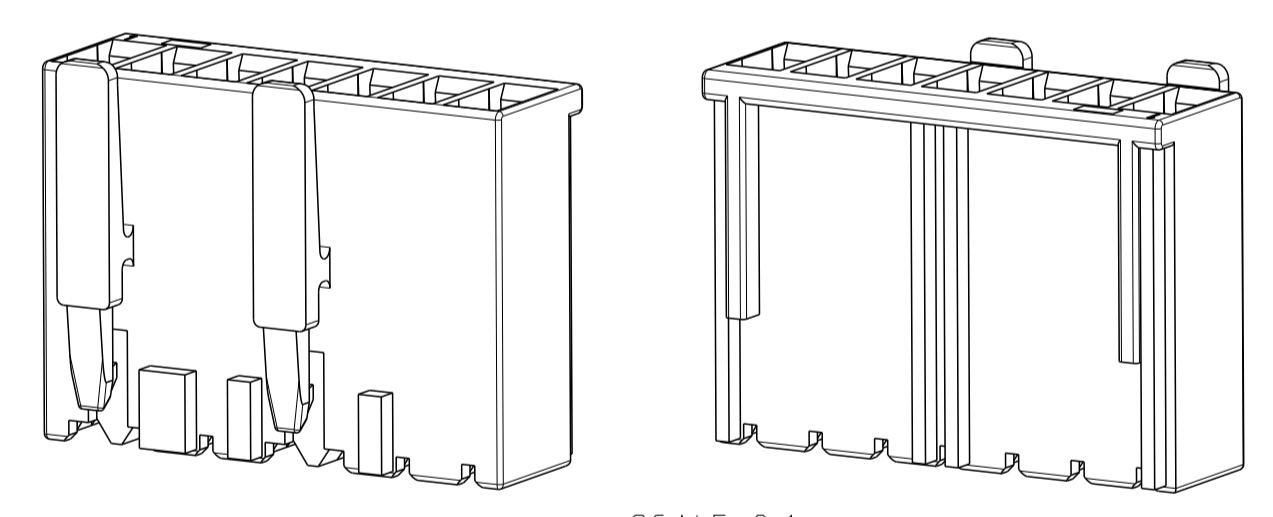
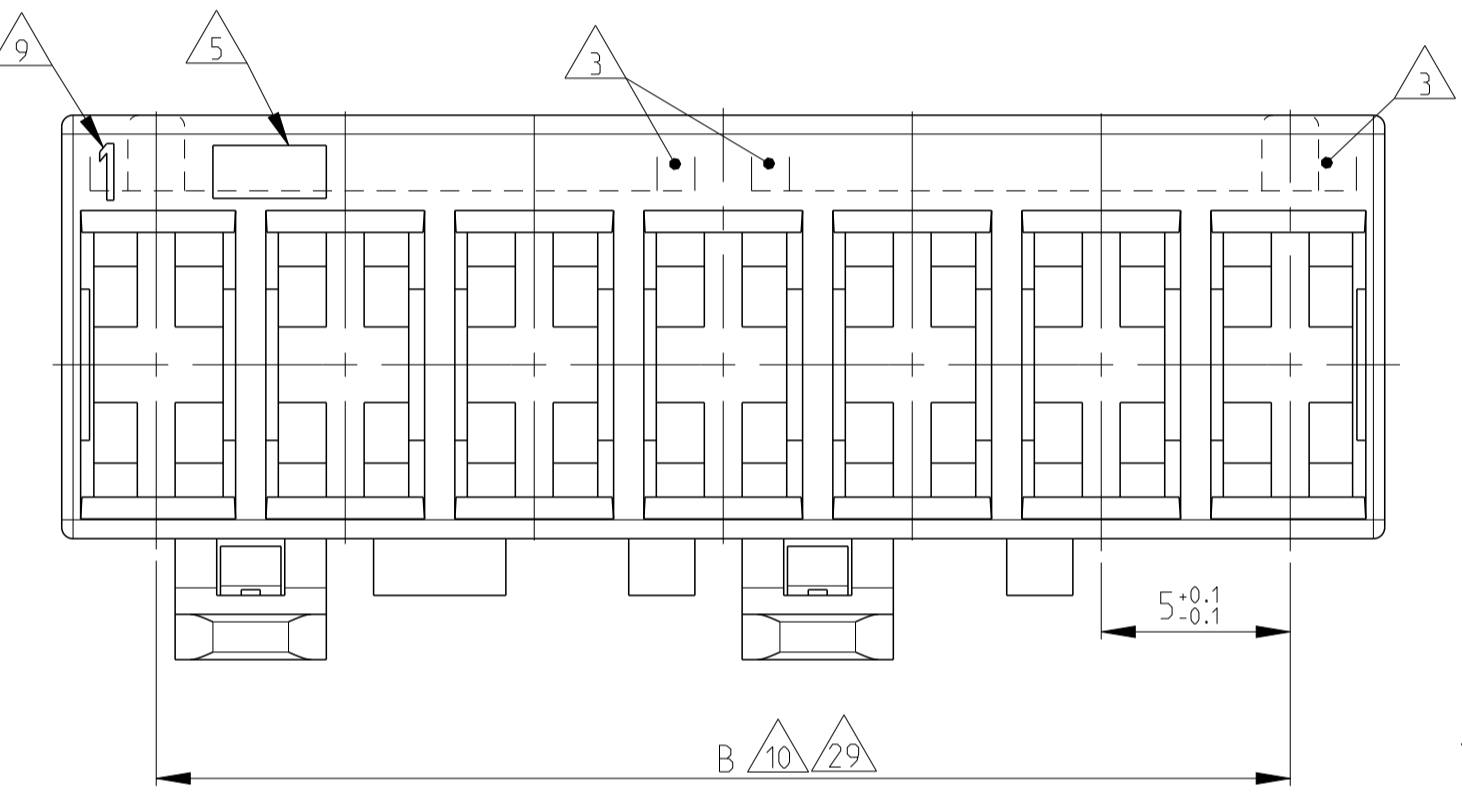
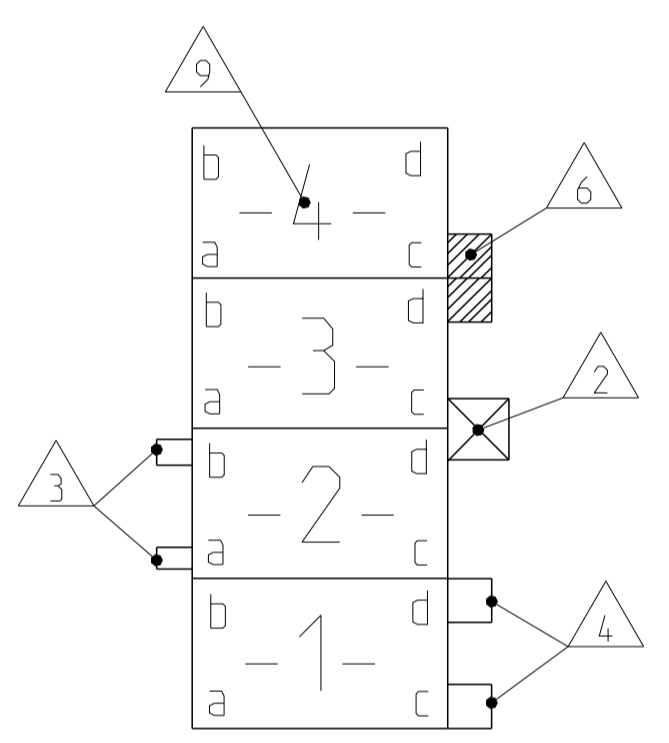
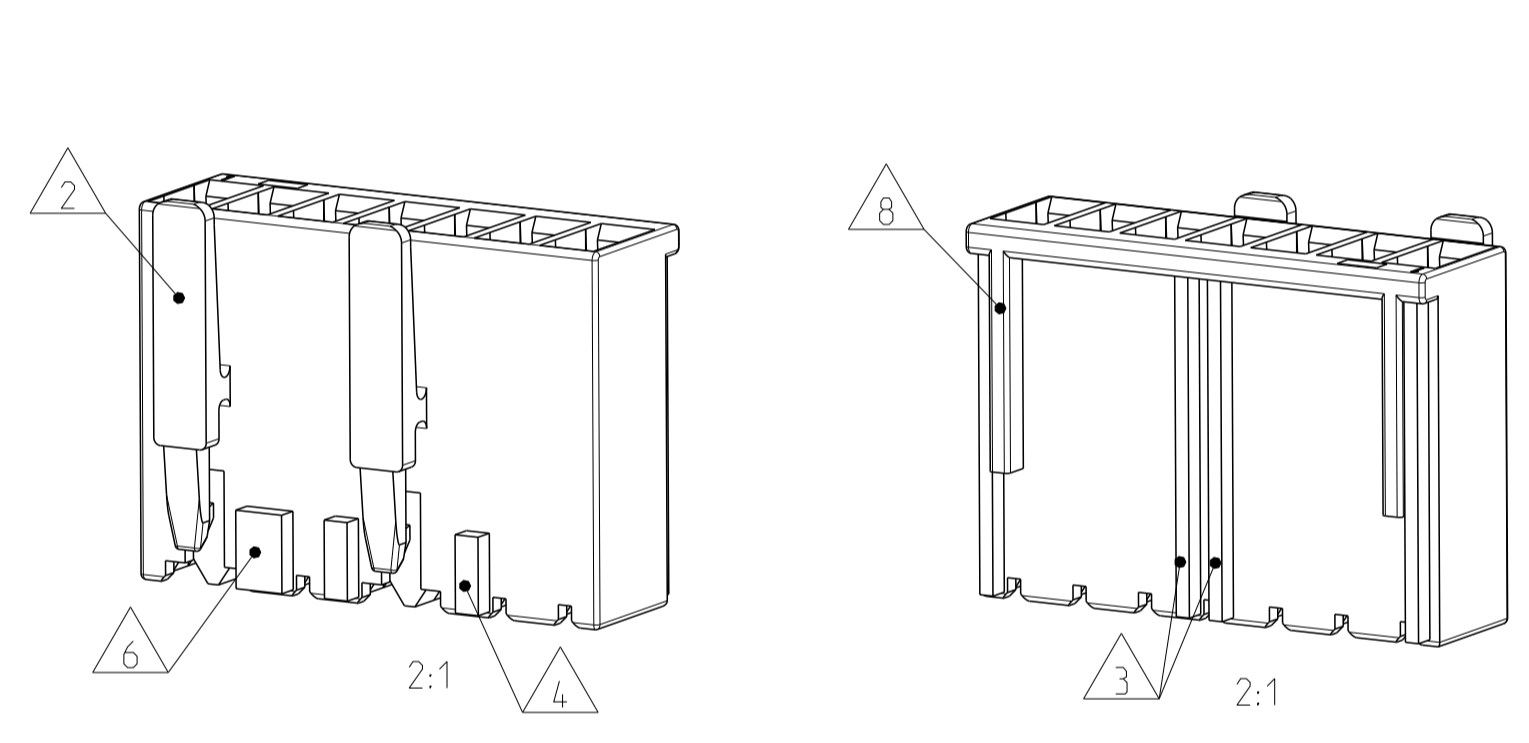


LOC		DIST		REVISIONS			
A1	-	P	LTN	DESCRIPTION	DATE	DMN	APVD
		B38	ECR-18-009760		25 JUN 2018	KD	FL
		B39	ECR-18-014326		25 OCT 2018	KD	FL
		B40	ECR-19-002603		22 FEB 2019	KD	FL
		B41	ECR-19-007231		09 MAY 2019	MG	FL

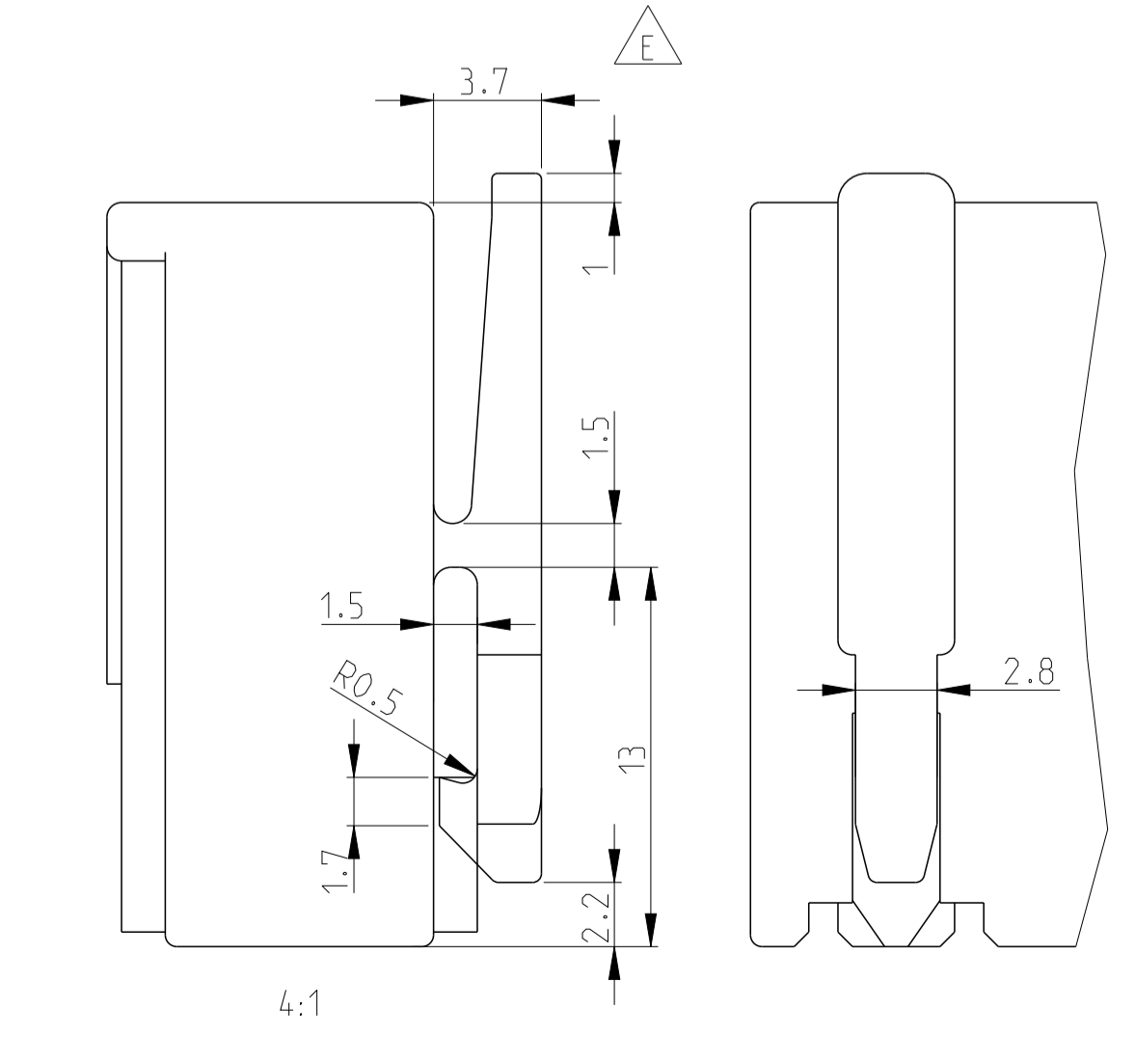
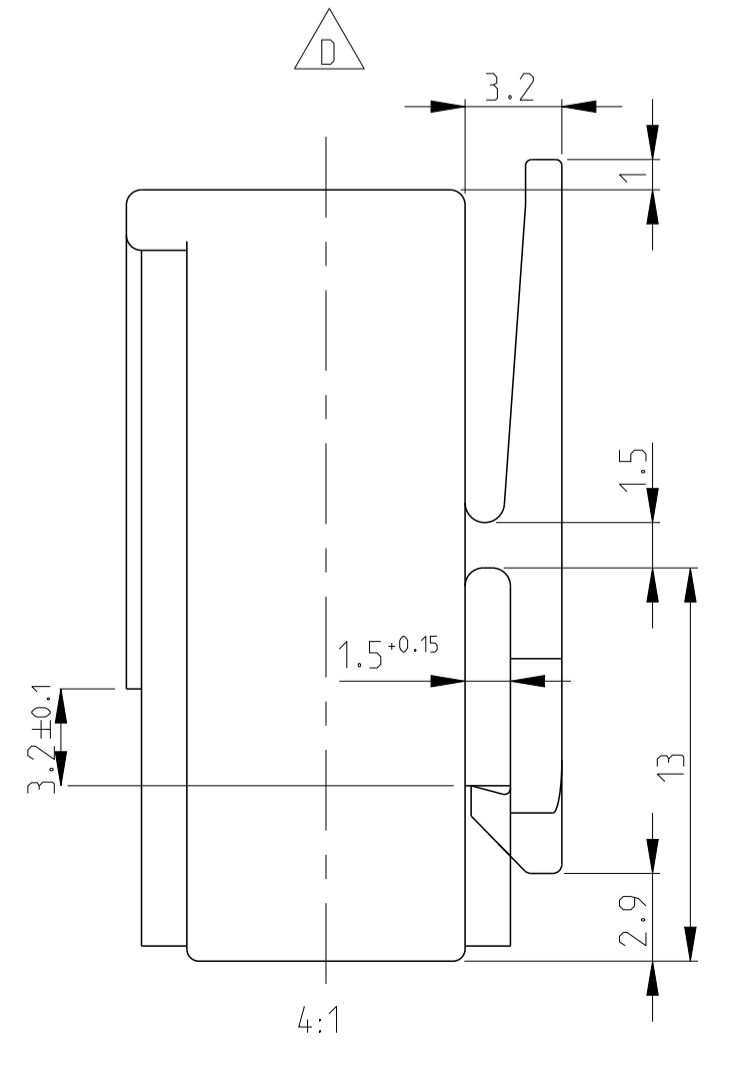
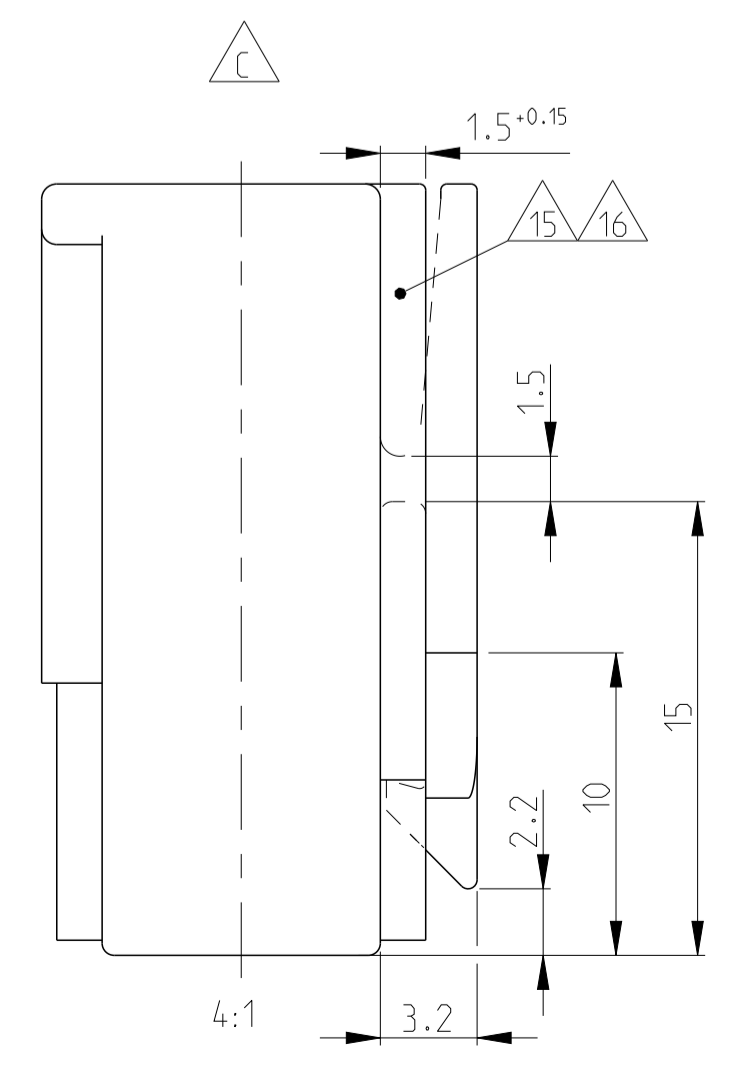
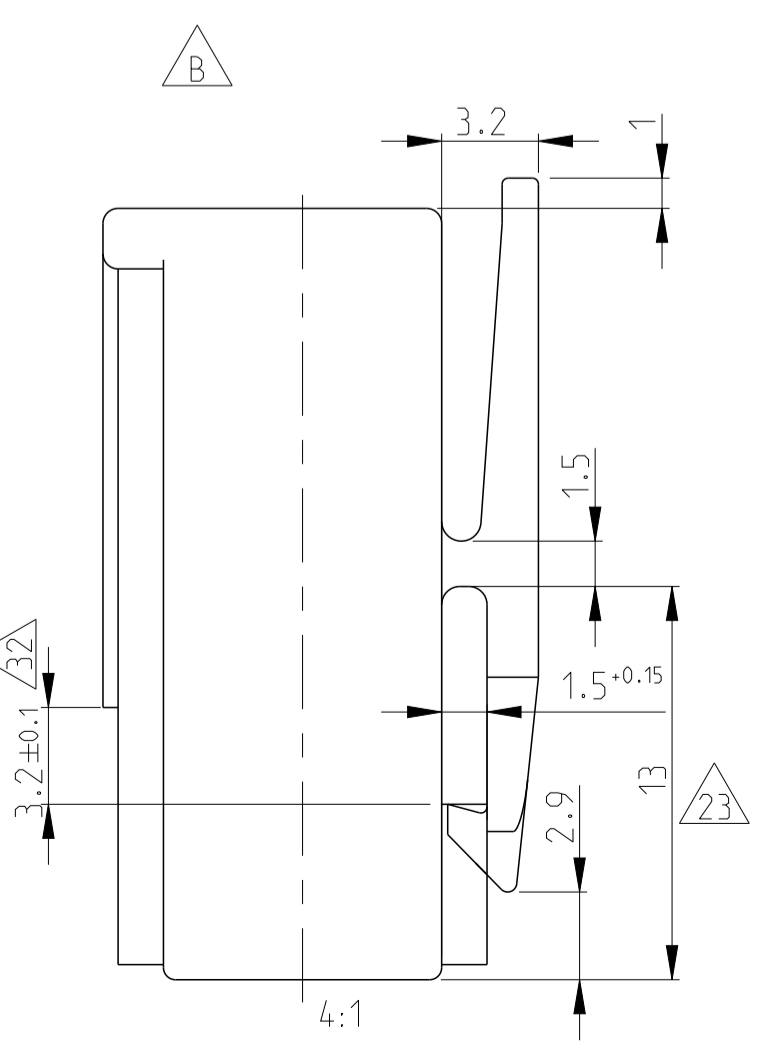
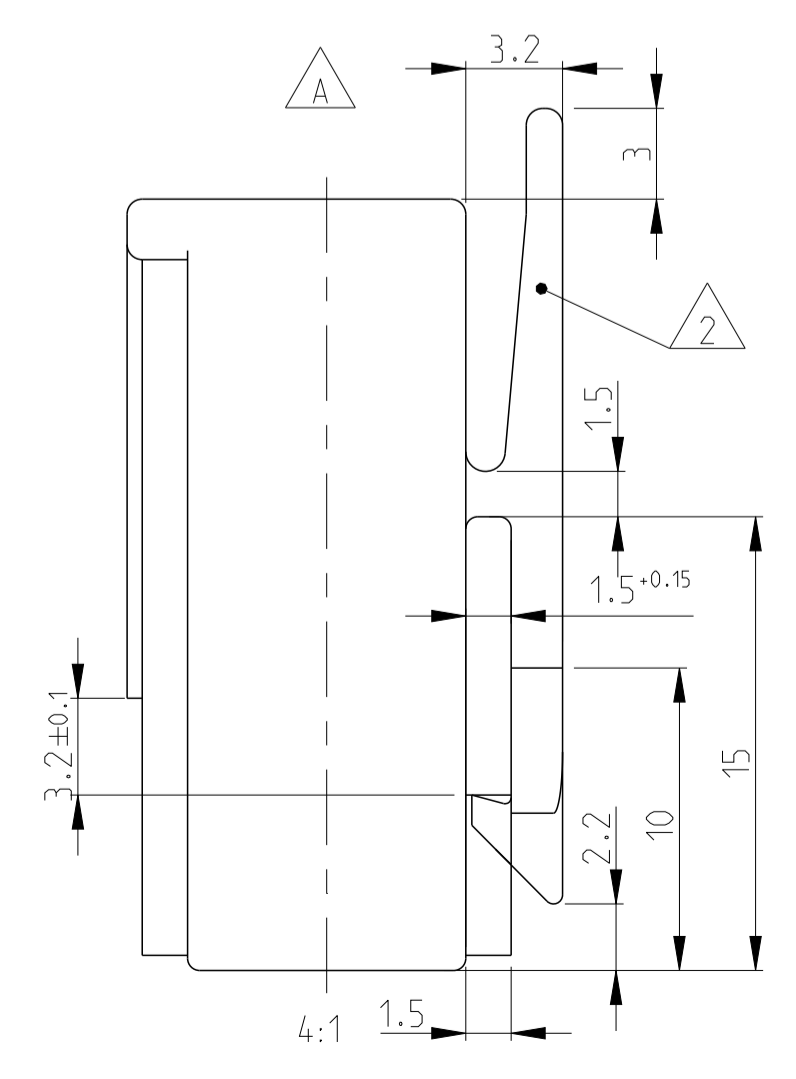


DESCRIPTION
 POSITION OF THE KEYING RIBS, POLARISATION RIBS AND THE LOCKING LATCH



ALL OTHER DIMENSIONS ARE SAME

PAY ATTENTION!
 DIFFERENT LOCKING LATCHES



- 1 CAVITY SUITABLE TO STANDARD TIMER CONTACTS LISTED IN PROD: SPEC: 108-18049, ITEM 3.3.2
Kammer geeignet für Standard Timer Kontakte gelistet in Prod. Spec. 108-18049, Punkt 3.3.2
- 2 LOCKING LATCH BETWEEN CAVITY NO. Rasthaken zwischen Kammernummer
- 3 POLARIZATION RIB POSITION "a" OR POSITION "b". AT CAVITY NO..
Polarisierungsrippen (Lage "a") oder (Lage "b") versetzt bei Kammer Nr
- 4 KEYING RIB POSITION "c" OR POSITION "d". AT CAVITY NO..
Kodierungsrippen nach unten (Lage "c") oder oben (Lage "d") versetzt bei Kammernummer
- 5 AREA FOR TE LOGO ACC. TO SPEC 202-36
Bereich für TE Logo nach Spec. 202-36
- 6 WIDTH KEYING RIB BETWEEN CAVITY NO. Breite Kodierrippe zwischen Kammer Nr.
- 7 SUITABLE TO TAB 6.3x0.8mm AND 4.8x0.8mm ACCORDING TO DIN 46244
Geeignet für Flachstecker 6.3x0.8mm und 4.8x0.8mm nach DIN 46244
- 8 MATING STOP BETWEEN CAVITY NO.1 AND 2, ALSO BETWEEN THE LAST AND THE LAST BUT ONE CAVITY
Tiefenanschlag zwischen Kammer Nr.1 und 2, ebenfalls zwischen der letzten und vorletzten Kammer
- 9 CONTACT CAVITY NO. Kammernummer
- 10 DIMENSION A AND DIMENSION B SEE SHEET 2 OF 3
Maß A und Maß B siehe Blatt 2 von 3
- 11 MATED WITH TE CONNECTOR: SEE TABLE, SHEET 2 OF 3
Passender TE Gegenstecker: siehe Tabelle, Seite 2 von 3
- 12 GENERAL SUITABLE TAB HEADER HOUSING SEE RAST 5 PERFORMANCE
Generell passende Flachsteckerwanne, siehe RAST 5 Vorgabe
- 13 CONNECTION TO THE PC BOARD SEE DRAWING 88-9935-4
Leiterplattenanschluß siehe Zeichnung 88-9935-4
- A B SEE TABLE, SHEET 2 OF 3
C D E Siehe Tabelle, Blatt 2 von 3
- 14 MATERIAL CORRESPONDS TO THE REQUIREMENT EN 60335 (INCL. GLOW WIRE TEST 750°C WITHOUT FLAME)
- 15 WIRE TANGLING PROTECTION
- 16 WIRE TANGLING PROTECTION IN COMBINATION WITH CODING RIBS, ONLY VALID FOR VERSIONS 5-964702-3, 0-964702-3, 0-964702-1
- 17 KEYING ACC. TO RAST-5 STANDARD; COLOUR IS DIFFERENT
- 18 8 POS. SPECIAL VERSION WITH SWAGED KEYING RIB
- 19 SPECIAL MATERIAL PA66, UL 94 V0
- 20 DIMENSION "A" IS ACCEPTED WITHIN TOLERANCE +0.05/-0.20.
- 21 PRELIMINARY PART- NOT YET RELEASED FOR PRODUCTION
- 22 ONLY FOR PN 2178600-2, 3-2178600-2, 4-2178600-2, 5-2178600-2, TOLERANCE IS +0.4 -0.2, WORST CASE CAN BE OUT OF RAST STANDARD.
- 23 ONLY FOR PN 2178600-2, 3-2178600-2, 4-2178600-2, 5-2178600-2, TOLERANCE IS +0.4 -0.2
- 24 ONLY FOR PN 2178600-2, 3-2178600-2, 4-2178600-2, 5-2178600-2, TOLERANCE IS ±4°
- 25 ONLY FOR PN 3-1241965-5, 3-1241965-7 TOLERANCE IS +0.3 -0.2
- 26 ONLY FOR PN 3-1241965-5, 3-1241965-7 TOLERANCE IS +0.2 -0.2
- 27 ONLY FOR PN 3-1241965-5, 3-1241965-7 TOLERANCE IS +0.05 -0.2
- 28 OBSOLETE PART
- 29 ONLY FOR 4-1241965-7, TOLERANCE IS -0.3
- 30 ONLY FOR 4-1241965-7, TOLERANCE IS +0.2/-0.25
- 31 ONLY FOR 1-2178029-3, TOLERANCE IS +0.15/-0.2

ADDITIONAL NOTES SEE 3 OF SHEET 4

THIS DRAWING IS A CONTROLLED DOCUMENT.		DMN: Kishor M	18 JUL 2017	TE Connectivity
DIMENSIONS: mm		CHK: K. Mudz	07-NOV-06	
TOLERANCES UNLESS OTHERWISE SPECIFIED: # ±0.2		APVD: In. Klenner	07-NOV-06	NAME
1-PLC # ±0.1		PRODUCT SPEC		2-12 POS. STANDARD TIMER HSG WITH EXTERIOR LOCKING
2-PLC # ±0.1		APPLICATION SPEC		SIZE: CAGE CODE: DRAWING NO: RESTRICTED TO
3-PLC # ±0.001		108-18049		A1 00779 ©=1241965
4-PLC # ±0.0001		APPLICATION SPEC		SHEET 1 OF 4 REV B41
MATERIAL: TBD		WEIGHT: -		Customer Drawing
FINISH: -		SCALE: 5:1		

LOC	DIST	REVISIONS					
		P	LTN	DESCRIPTION	DATE	DMN	APVD
A1	-			SEE SHEET 1			

△32 ONLY FOR 2322912-3. TOLERANCE IS +0.1/-0.15
 △33 ONLY FOR 2322912-6. TOLERANCE IS -0.30


	2322912-8	8	08-D	40	35	BLUE	PA66 UL94 V0 GW T 750	B	B	△32 △33
	2322912-7	7	07-C	35	30	GREY		B	B	△32 △33
	2322912-6	6	06-D	30	25	BLUE		B	B	△32 △33
	2322912-3	3	-	15	10	YELLOW		B	B	△32 △33
△32	2-2322912-2	2	02-A	10	5	NATURE		B	1	△32 △33
△33	1-2322912-2	2	02-G	10	5	BLUE		B	1	△32 △33
	2322912-2	2	02-C	10	5	GREY	B	B	△32 △33	
	5-1241965-4	4	-	20	15	NATURAL	PA66 UL94 V0 GW T 750 CTI350	E	B	△32 △33
	4-1241965-4	4	-	20	15	NATURAL		E	B	△32 △33
△32	3-1241965-4	4	-	20	15	NATURAL		E	1	△32 △33
	2-1241965-4	4	-	20	15	NATURAL		E	A	△32 △33
	1-1241965-4	4	04-C	20	15	NATURAL		E	A	△32 △33
	8-1241965-2	2	02-C	10	5	NATURAL		E	A	△32 △33
	4-1241965-7	7	-	35	30	NATURAL		E	A	△32 △33
△32	5-1241965-7	7	07-C	35	30	NATURAL		E	1	△32 △33
△33	5-1241965-5	5	05-B	25	20	NATURAL		E	1	△32 △33
	PART NO.	POS.	RAST 5	DIM A	DIM B	COLOUR		MATERIAL	LOCKING LATCH	REV.

SPECIAL VERSION: UL94 V0 & GW T 750

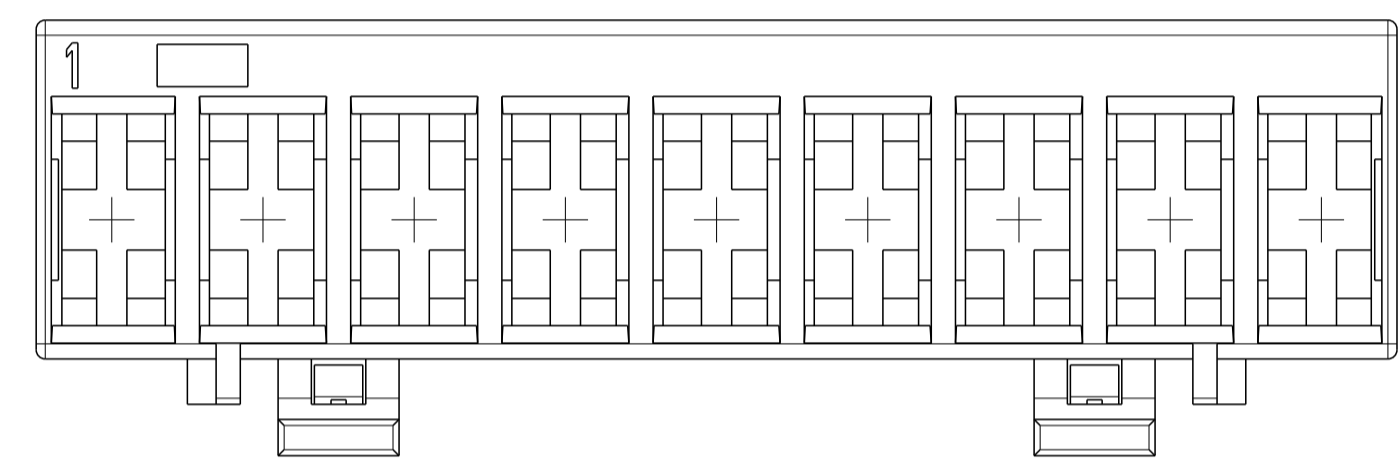
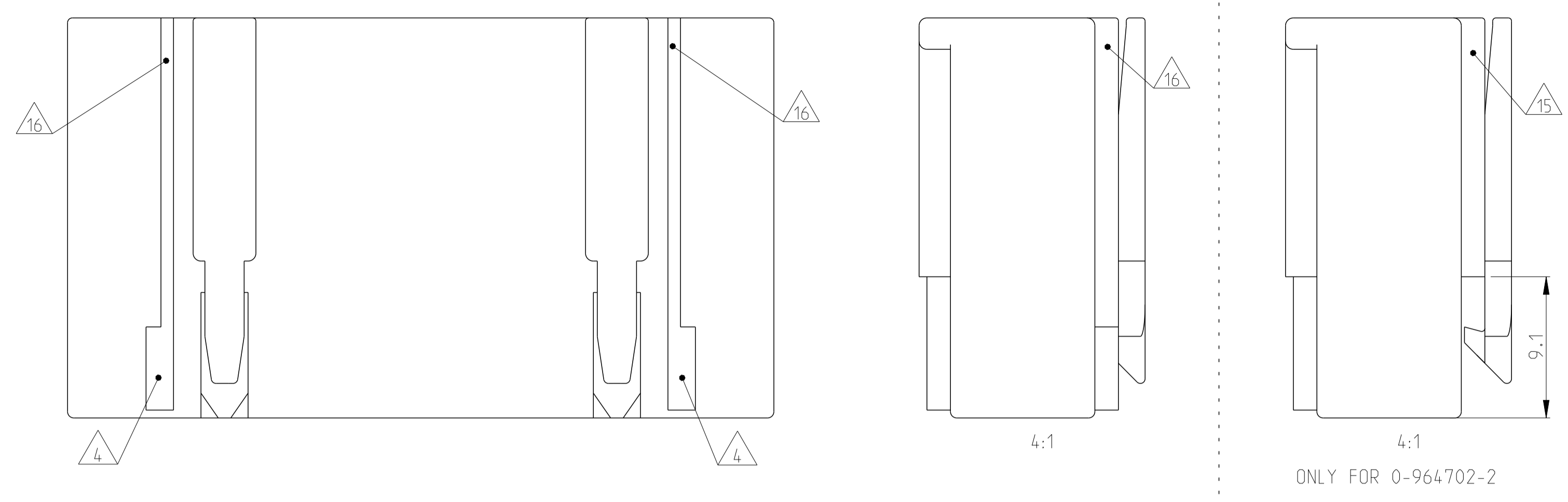
KEYING PLAN SEE SHEET 2 OF 4

2345754-1	2	02-C	10	5	NATURAL	PA66 UL94 V0	E	B	△32 △33
PART NO.	POS.	RAST 5	DIM A	DIM B	COLOUR	MATERIAL	LOCKING LATCH	REV.	MATED WITH

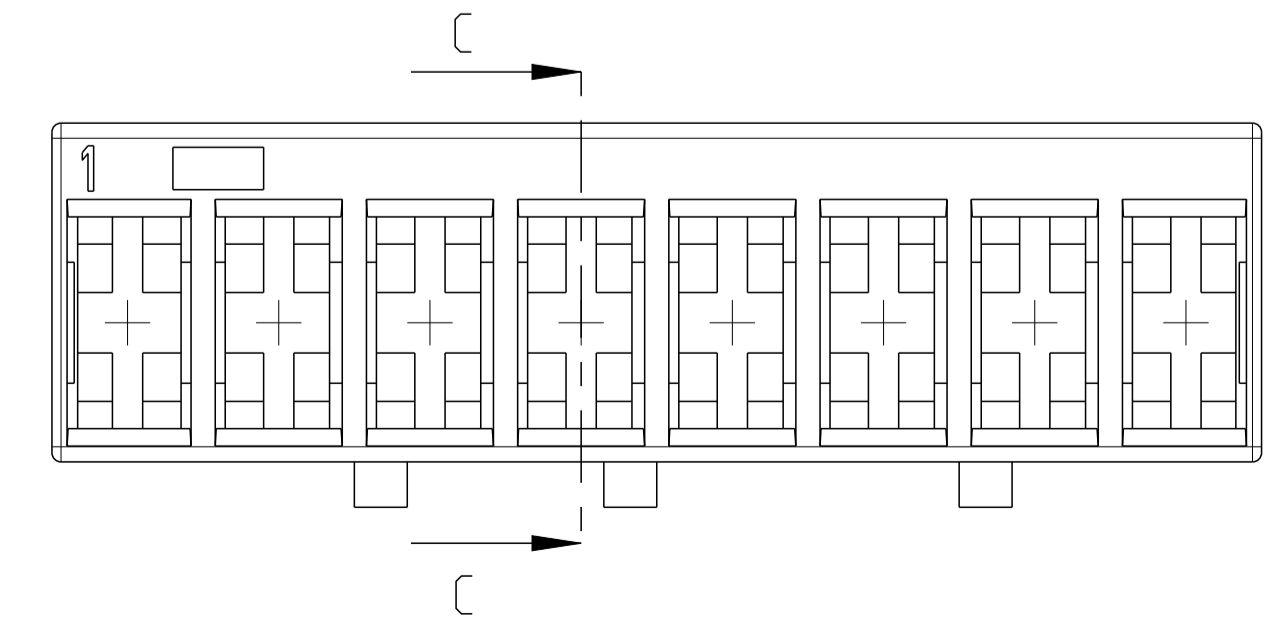
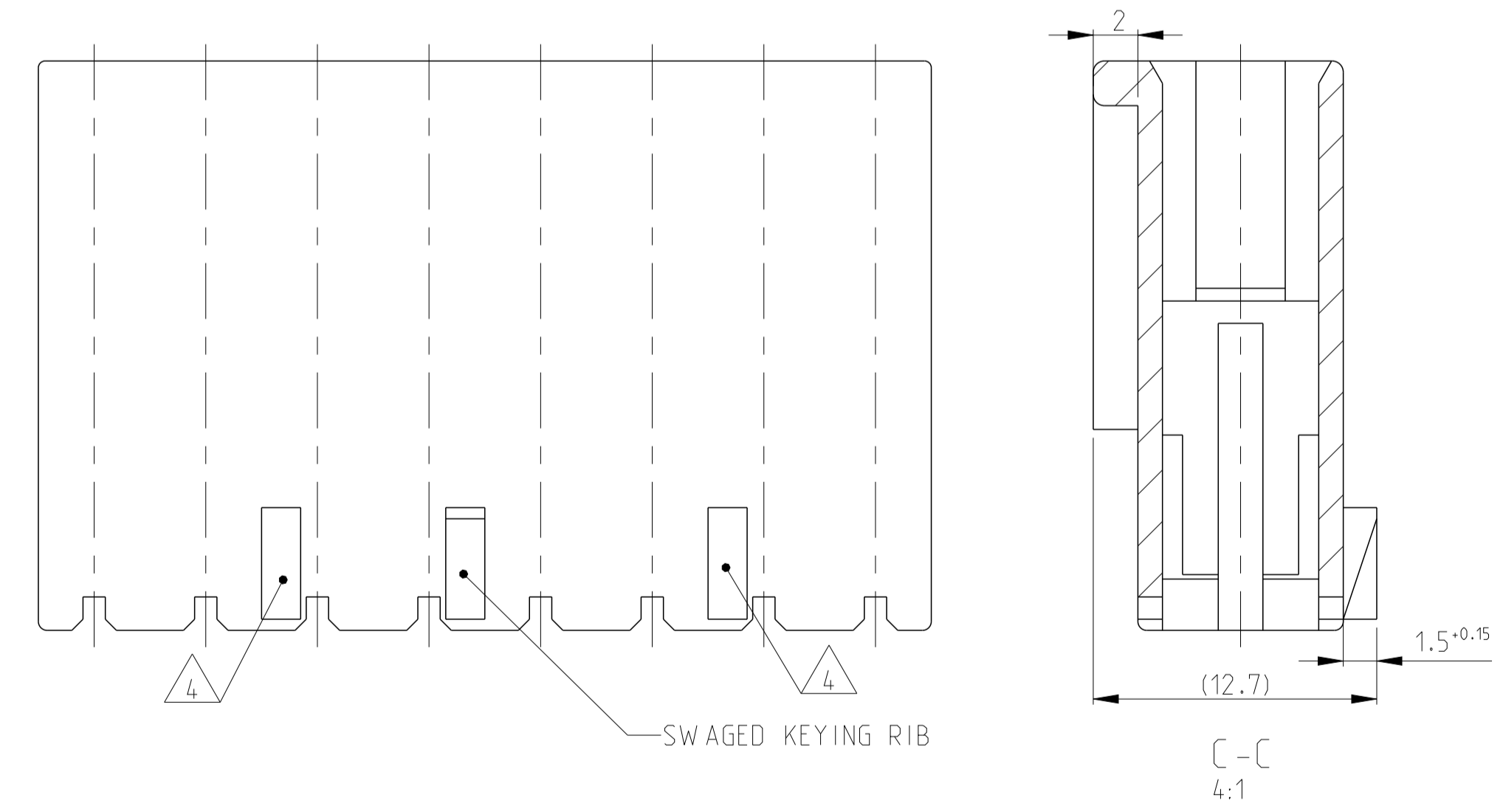
SPECIAL VERSION: UL94 V0

THIS DRAWING IS A CONTROLLED DOCUMENT.		DMN Kishor M 07-JUL-2017	 TE Connectivity	
DIMENSIONS: mm		CHK K. Munz 07-NOV-06		
TOLERANCES UNLESS OTHERWISE SPECIFIED:		APVD Th. Klenner 07-NOV-06	NAME	
0 PLC ± 1 PLC ±0.1 2 PLC ±0.01 3 PLC ±0.001 4 PLC ±0.0001 ANGLES ±		PRODUCT SPEC 108-18049		2-12 POS. STANDARD TIMER HSG WITH EXTERIOR LOCKING
MATERIAL TBD		APPLICATION SPEC		
FINISH		WEIGHT		RESTRICTED TO
Customer Drawing		SCALE 5:1 SHEET 3 OF 4		REV B41

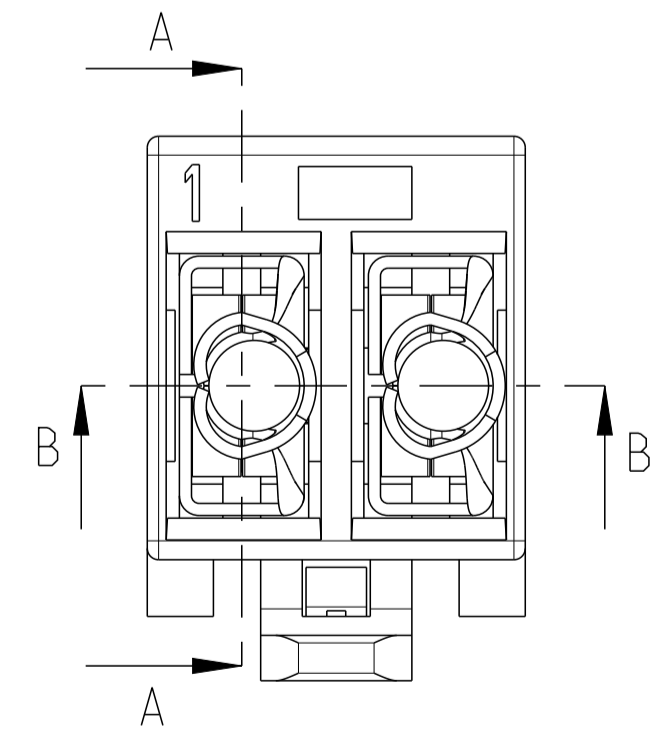
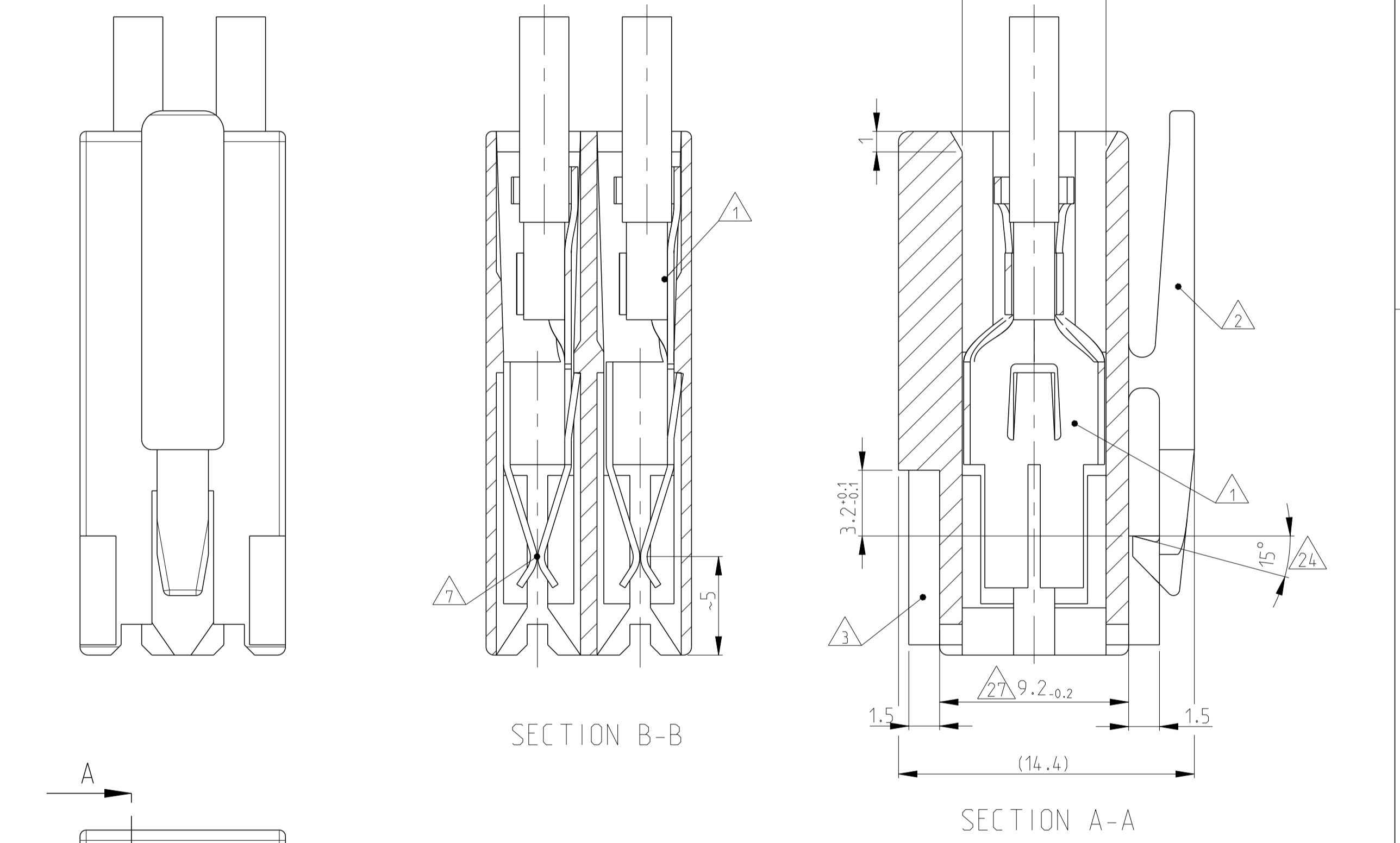
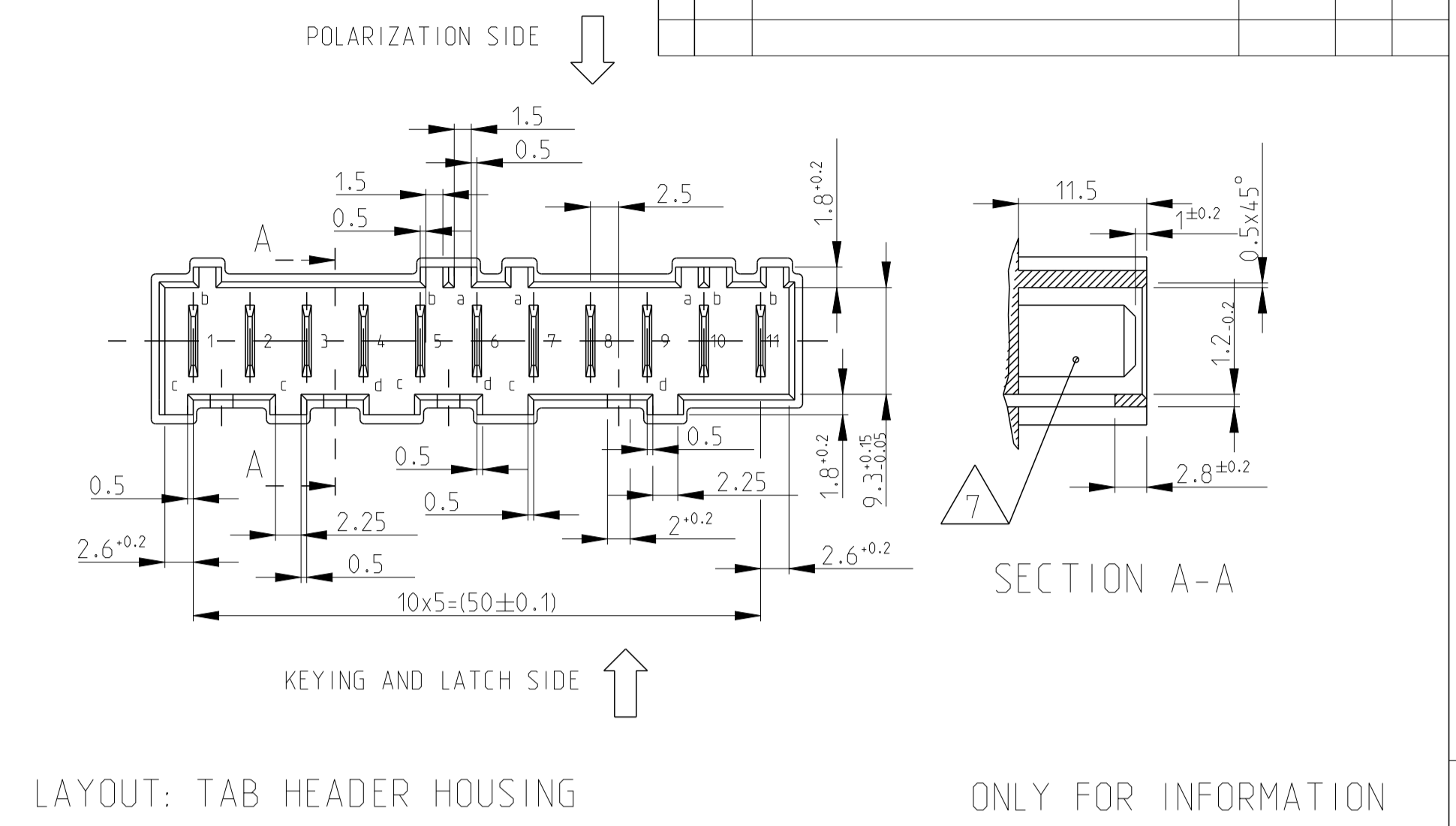
SPECIAL VERSIONS $\triangle 15$ $\triangle 16$
 9 POS STD. TIMER HSG. WITH TANGLING PROTECTION



SPECIAL VERSION $\triangle 18$
 8 POS SPECIAL STD. TIMER HSG.



LOC	DIST	REV	DESCRIPTION	DATE	OWN	APVD
A1	-	-	SEE SHEET 1	-	-	-



THIS DRAWING IS A CONTROLLED DOCUMENT.		OWN: Kishor M CHK: K. Munz APVD: Th. Klenner	18 JUL 2017 07-NOV-06 07-NOV-06		NAME
DIMENSIONS: mm	TOLERANCES UNLESS OTHERWISE SPECIFIED: ±0.2	PRODUCT SPEC	108-18049		2-12 POS. STANDARD TIMER HSG WITH EXTERIOR LOCKING
MATERIAL: TBD	FINISH: -	WEIGHT: -	Customer Drawing	SIZE: A1	CAGE CODE: 00779
				SCALE: 5:1	SHEET: 4 OF 4
				REV: B41	