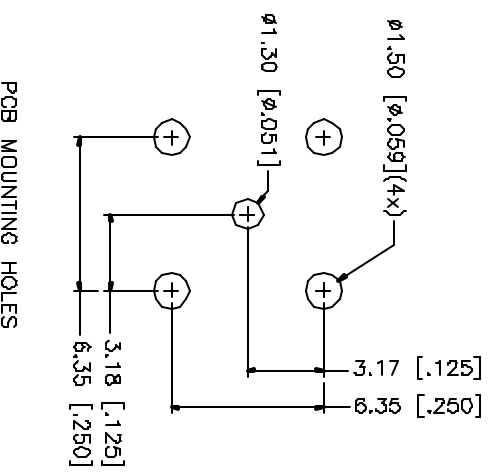
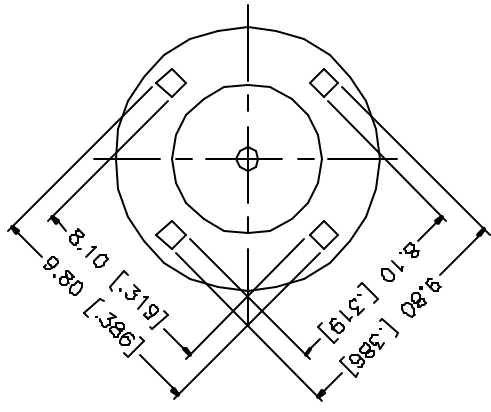
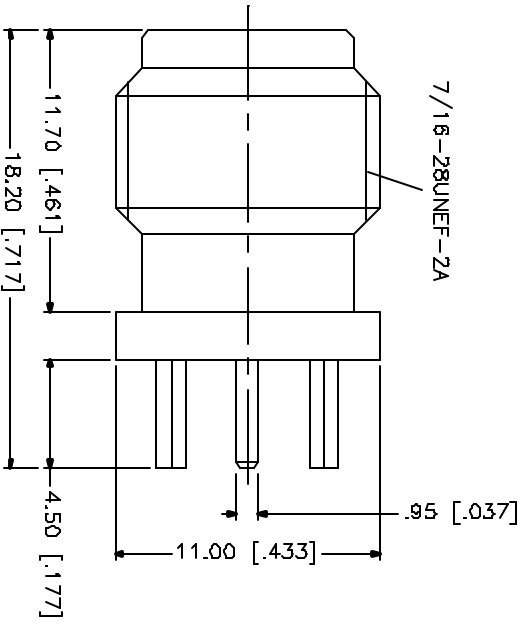


REV.	DATE	DESCRIPTION
A	03/18/05	UPDATE DRAWING FORMAT



NO.	DESCRIPTION	MATERIAL	FINISH	QTY
1	INSULATOR	TEFLON	NATURAL	1
2	CONTACT PIN	PHOS. BRONZE	GOLD	1
3	INSULATOR	TEFLON	NATURAL	1
4	CONTACT PIN	PHOS. BRONZE	GOLD	1
5	INSULATOR	TEFLON	NATURAL	1
6	CONTACT PIN	PHOS. BRONZE	GOLD	1
7	INSULATOR	TEFLON	NATURAL	1
8	CONTACT PIN	PHOS. BRONZE	GOLD	1
9	INSULATOR	TEFLON	NATURAL	1
10	CONTACT PIN	PHOS. BRONZE	GOLD	1
11	INSULATOR	TEFLON	NATURAL	1
12	CONTACT PIN	PHOS. BRONZE	GOLD	1
13	INSULATOR	TEFLON	NATURAL	1
14	CONTACT PIN	PHOS. BRONZE	GOLD	1
15	INSULATOR	TEFLON	NATURAL	1
16	CONTACT PIN	PHOS. BRONZE	GOLD	1
17	INSULATOR	TEFLON	NATURAL	1
18	CONTACT PIN	PHOS. BRONZE	GOLD	1
19	INSULATOR	TEFLON	NATURAL	1
20	CONTACT PIN	PHOS. BRONZE	GOLD	1
21	INSULATOR	TEFLON	NATURAL	1
22	CONTACT PIN	PHOS. BRONZE	GOLD	1
23	INSULATOR	TEFLON	NATURAL	1
24	CONTACT PIN	PHOS. BRONZE	GOLD	1
25	INSULATOR	TEFLON	NATURAL	1
26	CONTACT PIN	PHOS. BRONZE	GOLD	1
27	INSULATOR	TEFLON	NATURAL	1
28	CONTACT PIN	PHOS. BRONZE	GOLD	1
29	INSULATOR	TEFLON	NATURAL	1
30	CONTACT PIN	PHOS. BRONZE	GOLD	1
31	INSULATOR	TEFLON	NATURAL	1
32	CONTACT PIN	PHOS. BRONZE	GOLD	1
33	INSULATOR	TEFLON	NATURAL	1
34	CONTACT PIN	PHOS. BRONZE	GOLD	1
35	INSULATOR	TEFLON	NATURAL	1
36	CONTACT PIN	PHOS. BRONZE	GOLD	1
37	INSULATOR	TEFLON	NATURAL	1
38	CONTACT PIN	PHOS. BRONZE	GOLD	1
39	INSULATOR	TEFLON	NATURAL	1
40	CONTACT PIN	PHOS. BRONZE	GOLD	1
41	INSULATOR	TEFLON	NATURAL	1
42	CONTACT PIN	PHOS. BRONZE	GOLD	1
43	INSULATOR	TEFLON	NATURAL	1
44	CONTACT PIN	PHOS. BRONZE	GOLD	1
45	INSULATOR	TEFLON	NATURAL	1
46	CONTACT PIN	PHOS. BRONZE	GOLD	1
47	INSULATOR	TEFLON	NATURAL	1
48	CONTACT PIN	PHOS. BRONZE	GOLD	1
49	INSULATOR	TEFLON	NATURAL	1
50	CONTACT PIN	PHOS. BRONZE	GOLD	1
51	INSULATOR	TEFLON	NATURAL	1
52	CONTACT PIN	PHOS. BRONZE	GOLD	1
53	INSULATOR	TEFLON	NATURAL	1
54	CONTACT PIN	PHOS. BRONZE	GOLD	1
55	INSULATOR	TEFLON	NATURAL	1
56	CONTACT PIN	PHOS. BRONZE	GOLD	1
57	INSULATOR	TEFLON	NATURAL	1
58	CONTACT PIN	PHOS. BRONZE	GOLD	1
59	INSULATOR	TEFLON	NATURAL	1
60	CONTACT PIN	PHOS. BRONZE	GOLD	1
61	INSULATOR	TEFLON	NATURAL	1
62	CONTACT PIN	PHOS. BRONZE	GOLD	1
63	INSULATOR	TEFLON	NATURAL	1
64	CONTACT PIN	PHOS. BRONZE	GOLD	1
65	INSULATOR	TEFLON	NATURAL	1
66	CONTACT PIN	PHOS. BRONZE	GOLD	1
67	INSULATOR	TEFLON	NATURAL	1
68	CONTACT PIN	PHOS. BRONZE	GOLD	1
69	INSULATOR	TEFLON	NATURAL	1
70	CONTACT PIN	PHOS. BRONZE	GOLD	1
71	INSULATOR	TEFLON	NATURAL	1
72	CONTACT PIN	PHOS. BRONZE	GOLD	1
73	INSULATOR	TEFLON	NATURAL	1
74	CONTACT PIN	PHOS. BRONZE	GOLD	1
75	INSULATOR	TEFLON	NATURAL	1
76	CONTACT PIN	PHOS. BRONZE	GOLD	1
77	INSULATOR	TEFLON	NATURAL	1
78	CONTACT PIN	PHOS. BRONZE	GOLD	1
79	INSULATOR	TEFLON	NATURAL	1
80	CONTACT PIN	PHOS. BRONZE	GOLD	1
81	INSULATOR	TEFLON	NATURAL	1
82	CONTACT PIN	PHOS. BRONZE	GOLD	1
83	INSULATOR	TEFLON	NATURAL	1
84	CONTACT PIN	PHOS. BRONZE	GOLD	1
85	INSULATOR	TEFLON	NATURAL	1
86	CONTACT PIN	PHOS. BRONZE	GOLD	1
87	INSULATOR	TEFLON	NATURAL	1
88	CONTACT PIN	PHOS. BRONZE	GOLD	1
89	INSULATOR	TEFLON	NATURAL	1
90	CONTACT PIN	PHOS. BRONZE	GOLD	1
91	INSULATOR	TEFLON	NATURAL	1
92	CONTACT PIN	PHOS. BRONZE	GOLD	1
93	INSULATOR	TEFLON	NATURAL	1
94	CONTACT PIN	PHOS. BRONZE	GOLD	1
95	INSULATOR	TEFLON	NATURAL	1
96	CONTACT PIN	PHOS. BRONZE	GOLD	1
97	INSULATOR	TEFLON	NATURAL	1
98	CONTACT PIN	PHOS. BRONZE	GOLD	1
99	INSULATOR	TEFLON	NATURAL	1
100	CONTACT PIN	PHOS. BRONZE	GOLD	1

**Amphenol Connex**

TNC P.C. MOUNT RECEPT. JACK - 50ohm

PART NO. 1222440  
 DWG. NO. 1222440.DWG  
 REV. A  
 SIZE A  
 SCALE NA

# Mouser Electronics

Authorized Distributor

Click to View Pricing, Inventory, Delivery & Lifecycle Information:

[Amphenol:](#)

[122440](#)