



Part No: GF1004

Date: 9/18/2006

Unit: mm

Description: speaker

Page No: 1 of 2

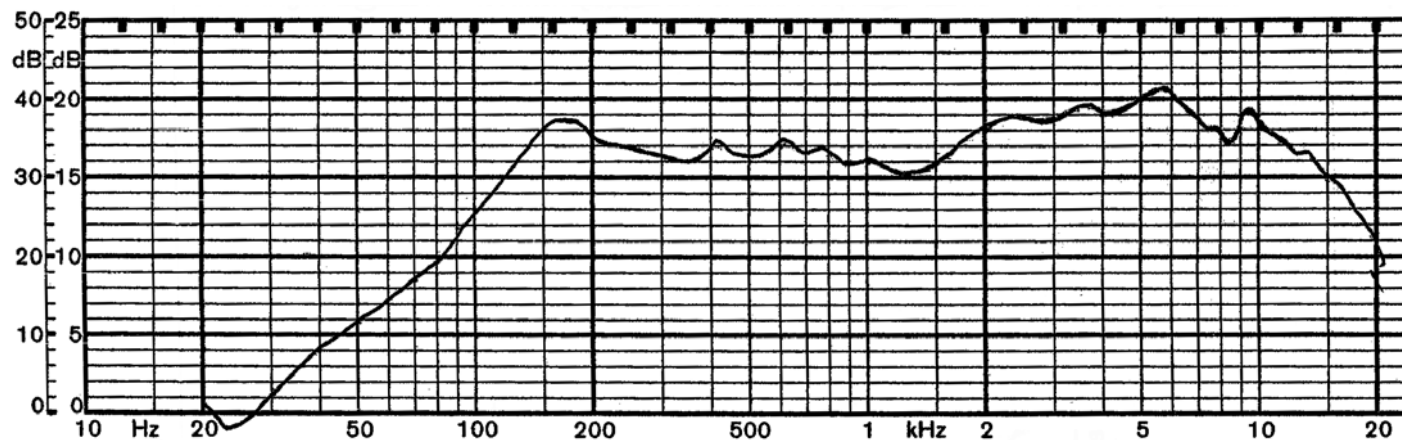


Specifications

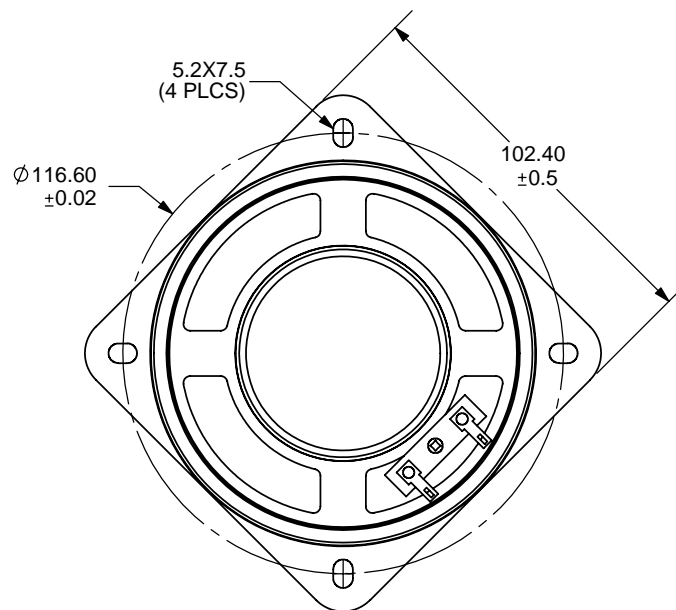
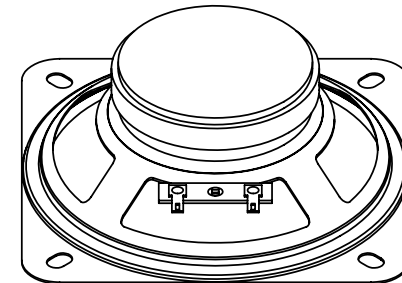
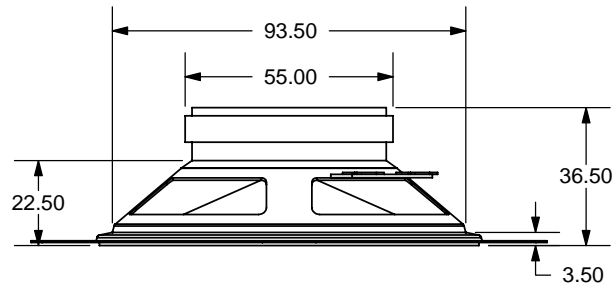
| | | |
|----------------------|--------------------------------------|---------------------------------------------|
| Nominal Size | 100 mm (4.00 in) | (See attached drawing) |
| Impedance | 8 Ohm \pm 15% | at 600 Hz 1 V |
| Resonant frequency | 145 Hz \pm 29 Hz | at 1 V |
| Sound pressure level | 93 dB/w \pm 2 dB | 1 w 50 cm ave. at 0.3K, 0.4K, 0.5K, 0.6K Hz |
| Response | Fo Hz ~ 17 KHz max 10 dB | |
| Input power | Nominal 6 W | Handling capacity 10 W |
| Operation | must be normal at program source 6 W | |
| Buzz, rattle, etc. | must be normal at sine wave 6.9 V | |
| Magnet | Size: 55 x 25 x 8 mm | |
| Load test | White noise 6 W | for 48 hours |
| Heat test | 70 \pm 2° C | 20-50% R.H. 48 hours |
| Humidity test | 40 \pm 2° C | 90-95% R.H. 48 hours |

Frequency Response Curve

| | |
|-----------------------|------------|
| Potentiometer range | 50 dB |
| Rectifier | RMS |
| Lower limit frequency | 20 Hz |
| Wr. speed | 100 mm/sec |

Zero level 60 dB

| REV. | DESCRIPTION | DATE |
|------|-------------|----------|
| A | NEW DRAWING | 8/8/2006 |



TOLERANCE:
±0.5mm UNLESS OTHERWISE
SPECIFIED



20050 SW 112th Ave.
Tualatin, OR 97062
Phone: 503-643-4899
800-275-4899
Fax: 503-372-1266
Website: www.cui.com

| | | |
|-------------------------------------------------|--------------------|------------|
| TITLE: Square frame paper cone - ferrite magnet | | REV: A |
| PART NO. GF1004 | UNITS: MM [INCHES] | |
| DRAWN BY: ZRJ | APPROVED BY: | SCALE: 1:2 |

PC FILE NAME:
GF1004

COPYRIGHT 2006 BY CUI INC.