

**PLEASE CHECK WWW.MOLEX.COM FOR LATEST PART INFORMATION**

**Part Number:** [0879770051](#)  
**Status:** **Active**  
**Description:** 1.00mm Pitch Fully Buffered DIMM Socket, Vertical, Press-Fit, 240 Circuits, 1.8V Center Voltage Key, with Plastic Locating Peg and Press-Fit Metal Pins, with Off-White Latches, 0.76µm Gold (Au) Plating, Lead-Free

**Documents:**

[3D Model](#) [Application Specification AS-87746-001-001 \(PDF\)](#)  
[Drawing \(PDF\)](#) [RoHS Certificate of Compliance \(PDF\)](#)  
[Product Specification PS-87977-001-001 \(PDF\)](#)

**Agency Certification**

CSA LR19980  
 UL E29179

**General**

Product Family Memory Module Sockets  
 Series [87977](#)  
 Comments Solder Tail Length at 3.15mm, Solder Tail Length at 3.15mm  
 Component Type Socket  
 Electrical Model Yes  
 JEDEC Outline MO-256  
 Product Name FB DIMM  
 UPC 822350316514

**Physical**

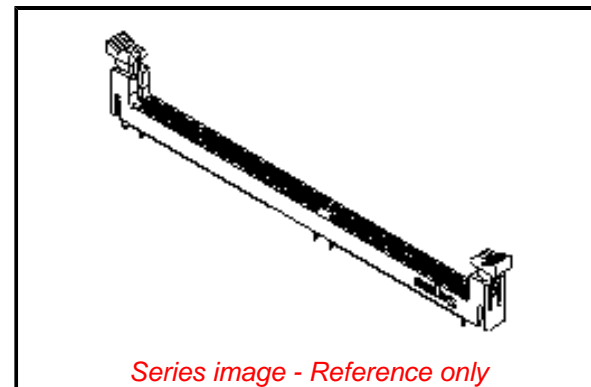
Circuits (Loaded) 240  
 Durability (mating cycles max) 25  
 Entry Angle Vertical (Top Entry)  
 Flammability 94V-0  
 Housing Color Black  
 Keying to Mating Part Yes  
 Latch Color Natural (Off-White)  
 Material - Metal Phosphor Bronze  
 Material - Plating Mating Gold  
 Material - Plating Termination Tin  
 Material - Resin High Temperature Thermoplastic  
 Net Weight 10.600/g  
 PC Tail Length 3.15mm  
 PCB Locator Yes  
 PCB Retention Yes  
 PCB Thickness - Recommended 3.30mm  
 Packaging Type Tray  
 Pitch - Mating Interface 1.00mm  
 Plating min - Mating 0.762µm  
 Plating min - Termination 0.381µm  
 Temperature Range - Operating -10° to +85°C  
 Termination Interface: Style Through Hole - Compliant Pin

**Electrical**

Current - Maximum per Contact 1.0A  
 Voltage - Maximum 30V  
 Voltage Key 1.8V, Center

**Solder Process Data**

Lead-freeProcess Capability N/A



**EU ELV**

**Not Relevant**

**EU RoHS**

**Compliant**  
**REACH SVHC**

Not Contained Per - ED/71/2019 (16 July 2019)

**Halogen-Free**

**Status**

**Not Low-Halogen**

For more information, please visit [Contact US](#)

China ROHS

ELV

RoHS Phthalates

**China RoHS**

Green Image

Not Relevant

Not Contained

**Search Parts in this Series**

[87977 Series](#)

**Mates With**

JEDEC MO-256 Modules

**Material Info**

**Reference - Drawing Numbers**

Application Specification	AS-87746-001-001
Electrical Model Document	EE-87977-001
Product Specification	PS-87977-001-001
S-Parameter Model	SP-87977-001
Sales Drawing	SD-87977-020

This document was generated on 09/18/2019

**PLEASE CHECK [WWW.MOLEX.COM](http://WWW.MOLEX.COM) FOR LATEST PART INFORMATION**

# Mouser Electronics

Authorized Distributor

Click to View Pricing, Inventory, Delivery & Lifecycle Information:

[Molex:](#)

[87977-0051](#)