

THIS DRAWING IS UNPUBLISHED. RELEASED FOR PUBLICATION

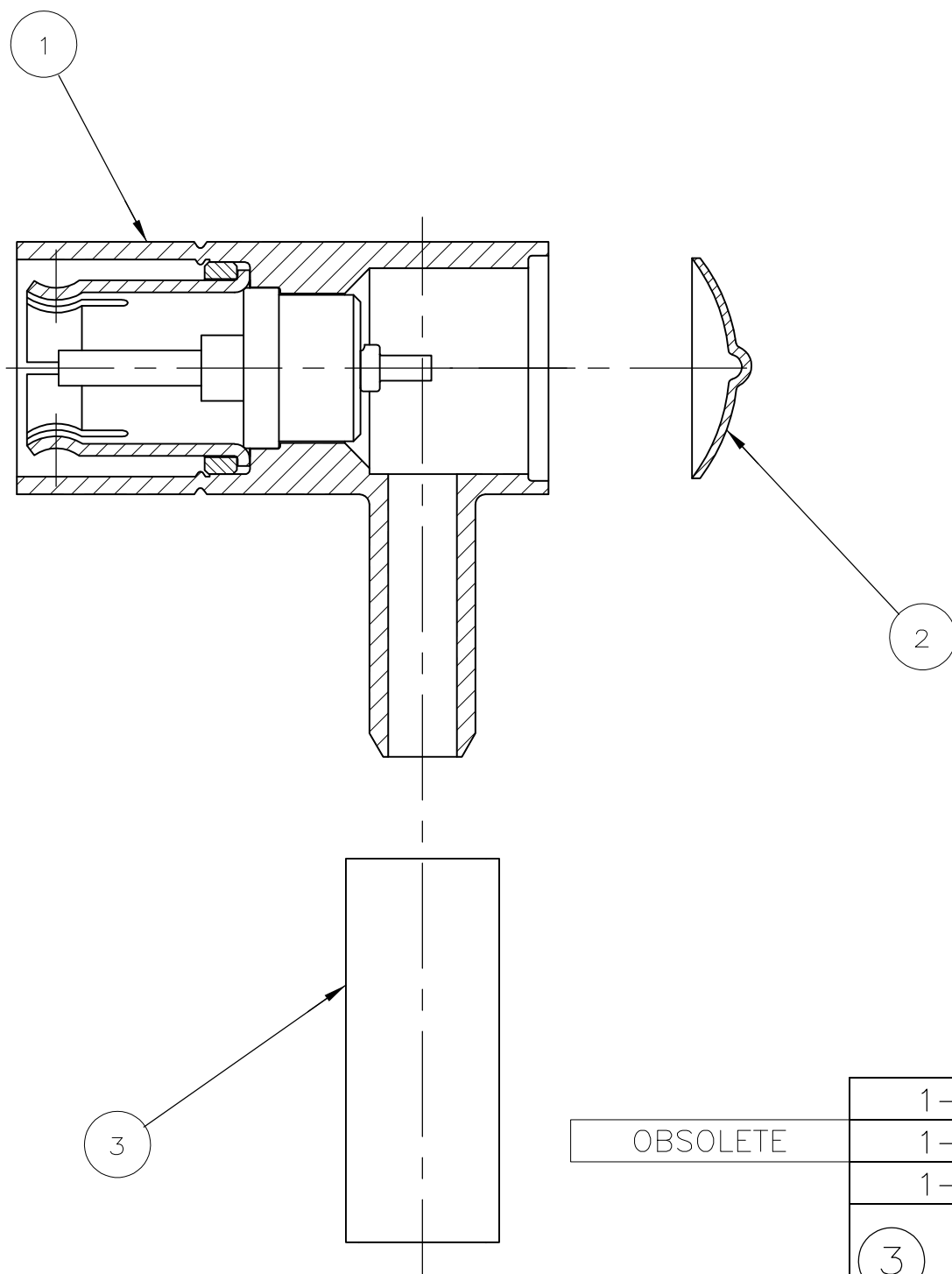
© COPYRIGHT BY TYCO ELECTRONICS CORPORATION. ALL RIGHTS RESERVED.

LOC
AJ
DIST
17

REVISIONS

| P | LTR | DESCRIPTION | DATE | DWN | APVD |
|---|-----|---------------------------|-----------|-----|------|
| | F2 | REVISED PER ECO-09-001082 | 14JUL2009 | DW | FB |

1. PARTS PACKAGED UNASSEMBLED.



| | | | | |
|----------|--------------------|--------------------|----------------------|-------------|
| | 1-413889-4 | 414013-3 | 415485-2 | 415484-3 |
| OBSOLETE | 1-413889-3 | 414013-3 | 415485-2 | 415484-2 |
| | 1-413889-3 | 414013-3 | 415485-1 | 415484-1 |
| | ③ FERRULE QTY=1 | ② END CAP QTY=1 | ① PLUG ASSY QTY=1 | PART NUMBER |

| | | | | | |
|---|--|-------------------------------|---|--------------------|------------------------|
| THIS DRAWING IS A CONTROLLED DOCUMENT. | | DWN B. MOYER 18JUN96 | Tyco Electronics Corporation Harrisburg, PA 17105-3608 | | |
| DIMENSIONS: INCHES | | CHK G. MICHAEL 19JUN96 | NAME PLUG, RIGHT ANGLE, 75 Ohm, MINI-SMB | | |
| TOLERANCES UNLESS OTHERWISE SPECIFIED: | | APVD G. MICHAEL 19JUN96 | PRODUCT SPEC - | | |
| 0 PLC ± - | | APPLICATION SPEC - | | SIZE A3 | RESTRICTED TO - |
| 1 PLC ± - | | WEIGHT - | | CAGE CODE 00779 | DRAWING NO C-415484 |
| 2 PLC ± - | | CUSTOMER DRAWING | | | |
| 3 PLC ± - | | SCALE 6:1 | | SHEET 1 OF 1 | REV F2 |
| 4 PLC ± - | | | | | |
| ANGLES ± - | | | | | |
| MATERIAL - | | FINISH - | | | |

Mouser Electronics

Authorized Distributor

Click to View Pricing, Inventory, Delivery & Lifecycle Information:

[TE Connectivity:](#)

[415484-1](#)