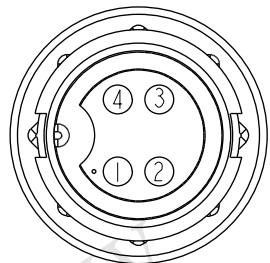
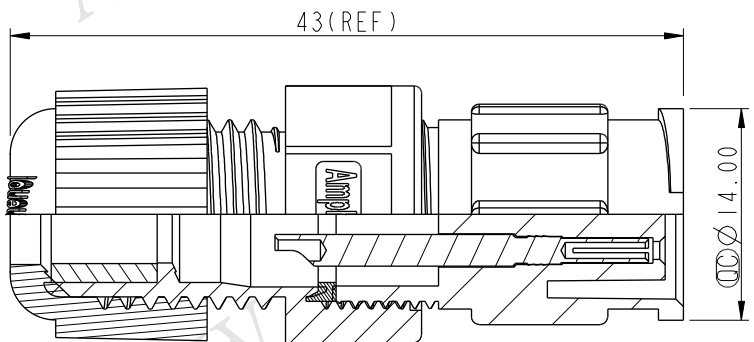
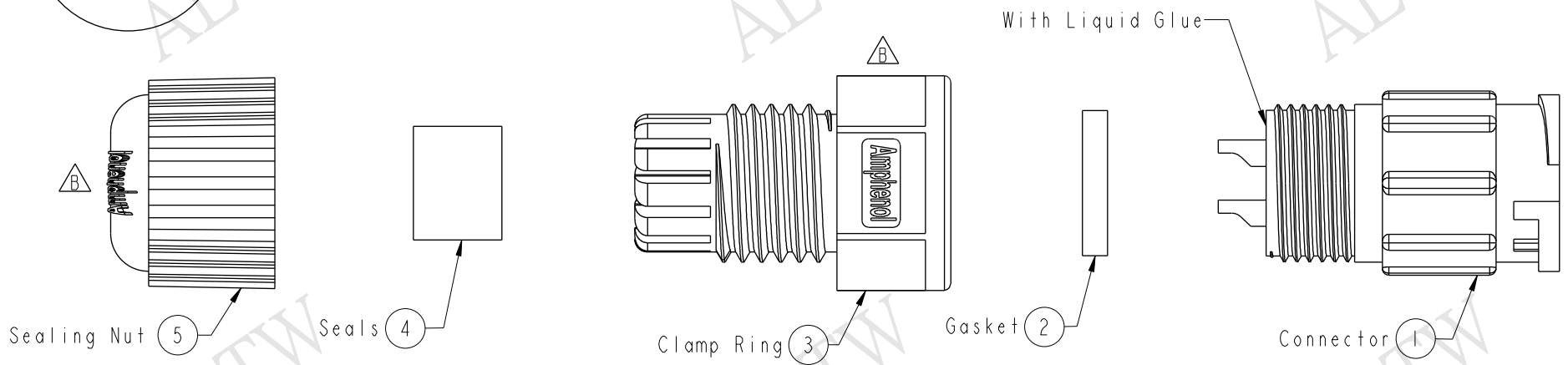


THIS DOCUMENT IS SUBJECT TO CHANGE WITHOUT NOTICE. IT IS CONFIDENTIAL AND A PROPERTY OF Amphenol LTW. DISCLOSURE TO THIRD PARTY HAS TO BE AUTHORIZED BY Amphenol LTW.

REV.	ECN NO.	DATE	SIGN	DESCRIPTION
B	LEN1490192	2014/08/19	Rita	Change Logo LTW To Amphenol

ALTW
CONFIDENTIAL
2014-09-23
R&D DEPT.

ALTW
DCC. DEPT.
CONFIDENTIAL
2014.09.25
ISSUED



Pin Assignments
Front View 前視圖

- Note:
- * \varnothing Important Dimensions To Check
 - * Waterproof Rate: IP67
 - * Housing: Nylon+GF, Black
 - * Female Pin: Copper Alloy, Gold Plated
 - * Gasket: EPDM, Black
 - * Clamp Ring: Nylon, Black
 - * Seals: EPDM, Black
 - * Sealing Nut: Nylon, Black
 - * Seals for Cable OD: $\varnothing 4.5\text{mm}-\varnothing 6.5\text{mm}$
 - * One Set Unassembled In One PE Bag

UNIT: mm

TOLERANCE	
.X	± 0.25
.XX	± 0.1
.XXX	± 0.05
ANGLES	$\pm 1^\circ$

TITLE 4Pin Male Connector Female Pin for Field Installation, Lock Type			
SCALE	SIZE	SHEET	OF
1:1	A4	1	1
REV.	WC-REV.	\varnothing : Inspection item	
B	A.2		

Amphenol LTW
安費諾亮泰企業股份有限公司

ITEM NO	BD-04BMFA-LL7001	DRAWN BY	Rita	DATE	2014-08-19
DWG NO	BD-04BMFA-LL7001	CHECKED BY	Vicky	DATE	2014-08-19
CUSTOMER	ALTW	APPROVED BY	Wenmao	DATE	2014-08-19