

5

4

3

2

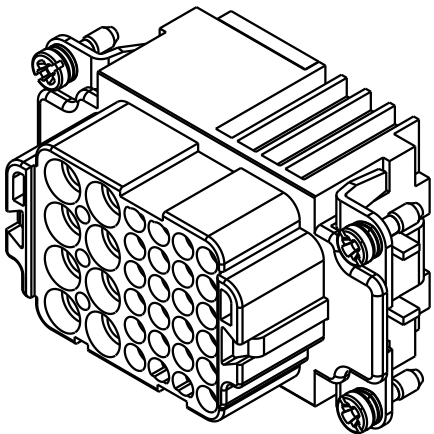
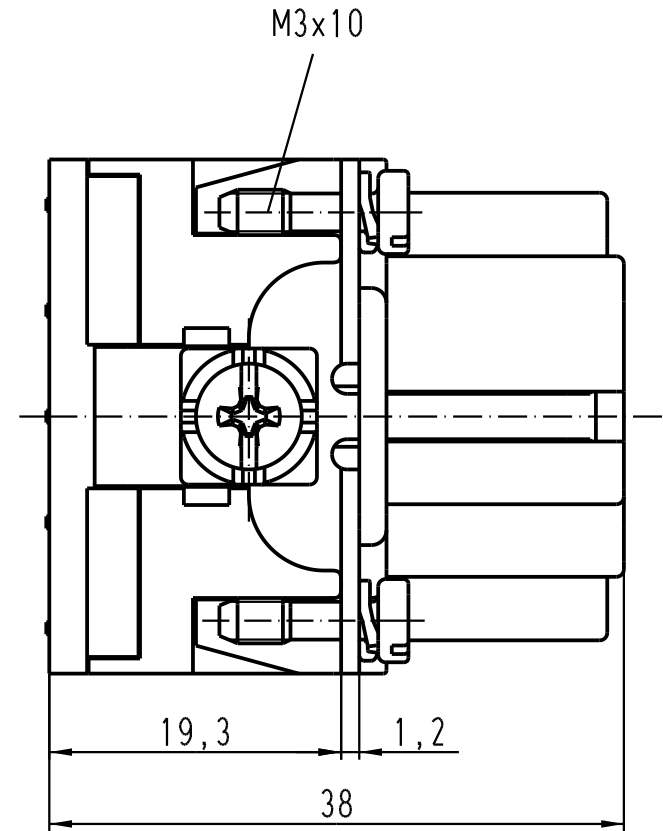
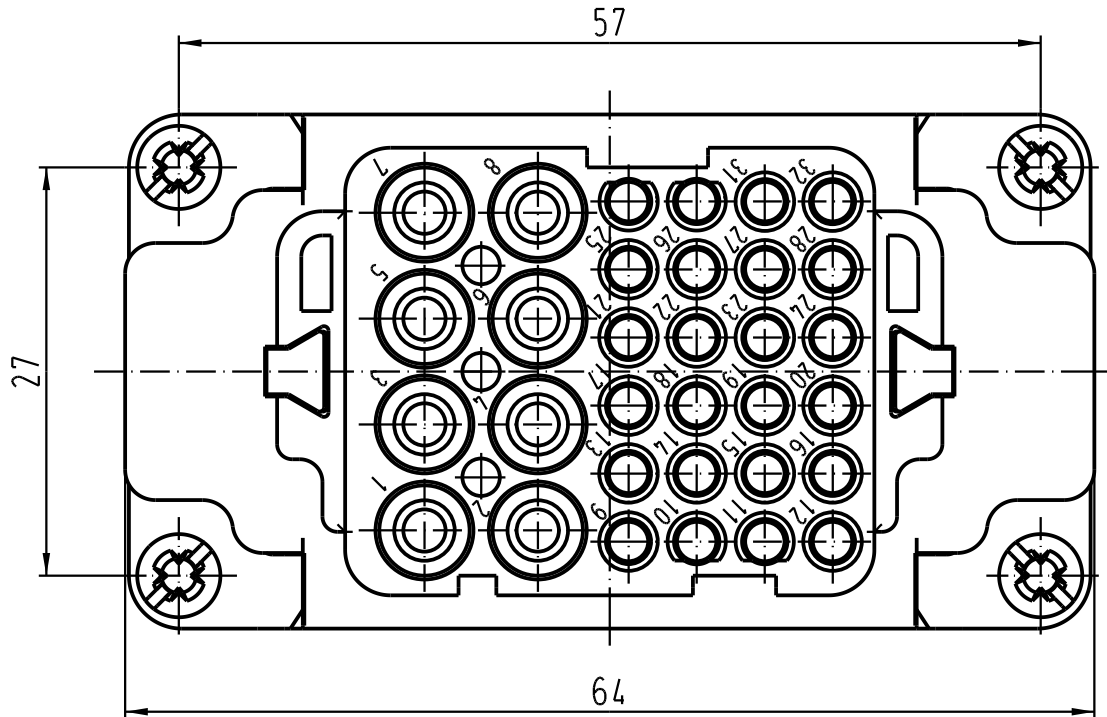
1

D

C

B

A



All Dimensions in mm  
Original Size DIN A 4

Techn. Character.

Nicht tolerierte Masse/ Free size tolerances

Mod.	Dat.	Name
411752	16.08.05	Grie
411315	04.11.04	DY
411037	18.05.04	Loe.

	Dat.	Name	Massstab/Scale
Detail.	12.02.93	PENNER	
Insp.		HERB	
Stand.			

2:1

HARTING Electric GmbH & Co. KG  
D-32339 Espelkamp



Han K8/24-F  
Buchseinsatz/  
female insert

TB 09 38 032 3101  
Sub. TB 09 38 032 3101 v. 29.10.86

Blatt/ page

# Mouser Electronics

Authorized Distributor

Click to View Pricing, Inventory, Delivery & Lifecycle Information:

[HARTING:](#)

[09380323101](#)