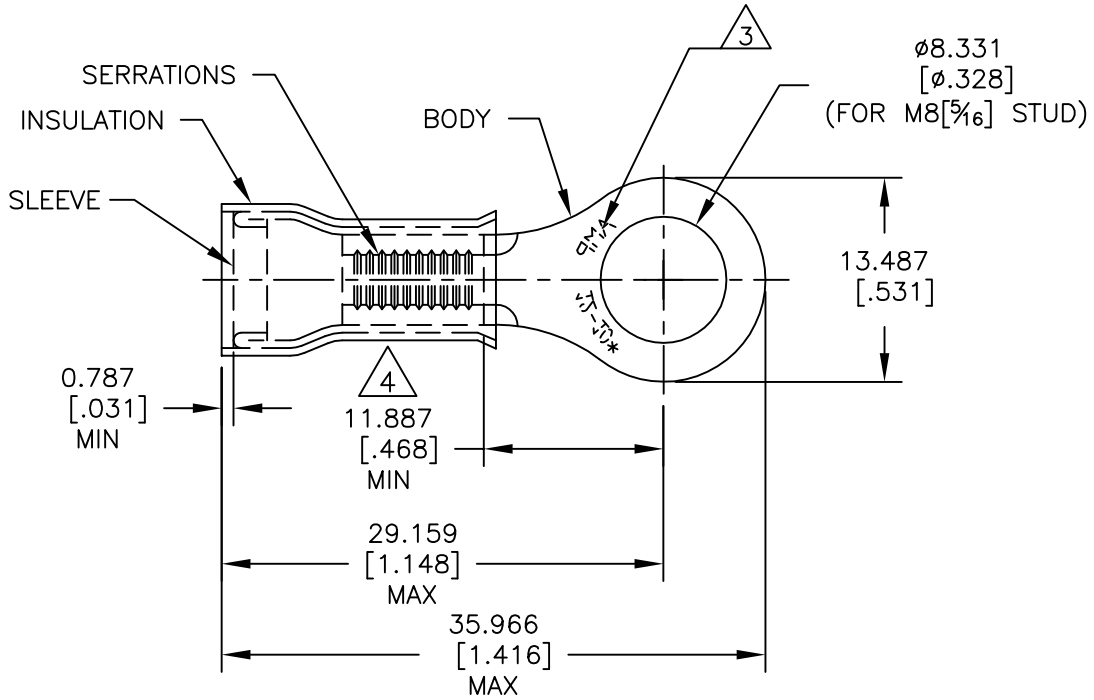


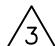
REVISIONS					
P	LTR	DESCRIPTION	DATE	DWN	APVD
	C1	REDRAWN PER ECO-17-007400	11DEC2017	RS	DR


AMP WIRE RANGE	 Listed FILE E13288	 LR7189 Certified
12-10 AWG SOLID OR STRANDED	12-10 AWG SOLID OR STRANDED	12-10 AWG SOLID OR STRANDED

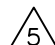


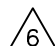
1 FOR $\phi 4.318[\phi.170]$ TO $\phi 7.620[\phi.300]$ WIRE INSULATION.

2 BODY MATERIAL THICKNESS: $1.016 \pm 0.051[.040 \pm .002]$

 STAMP AMP 12-10* APPROX AS SHOWN.

 APPLIES FROM EDGE OF METAL WIRE BARREL TO CENTER OF STUD HOLE.

 MATERIAL:
BODY & SLEEVE: COPPER PER ASTM B152
INSULATION: PVC

 FINISH:
BODY & SLEEVE: TIN PLATE PER ASTM B545
INSULATION: COLOR-YELLOW.


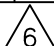


1500	ON TAPE	2-35346-1
500	LOOSE PIECE	35346
QTY.	PACKAGE TYPE	PART NUMBER

RELEASED FOR PUBLICATION

ALL RIGHTS RESERVED.

THIS DRAWING IS UNPUBLISHED.

COPYRIGHT - TE Connectivity

DIMENSIONS: mm [INCHES]	DWN RAVI S	11DEC2017	MATERIAL		FINISH	
	CHK ROHDE DANIEL F	11DEC2017	 TE Connectivity			
TOLERANCES UNLESS OTHERWISE SPECIFIED:	APVD ROHDE DANIEL F	11DEC2017				
0 PLC ± -	PRODUCT SPEC	UL 486 A-B	NAME WIRE TERMINAL,			
1 PLC ± -	APPLICATION SPEC	114-2157	P.I.D.G-RING TONGUE, WIRE SIZE: 12-10			
2 PLC ± -	WEIGHT	-	SIZE	CAGE CODE	DRAWING NO	RESTRICTED TO
3 PLC ± 0.127[.005]			A4	00779	 35346	-
4 PLC ± -			CUSTOMER DRAWING			SCALE
ANGLES ± -						2:1
				SHEET	1 OF 1	REV
						C1

Mouser Electronics

Authorized Distributor

Click to View Pricing, Inventory, Delivery & Lifecycle Information:

[TE Connectivity:](#)

[2-35346-1](#)