

PRODUCT NUMBER
57202-XXX-XXXXLX

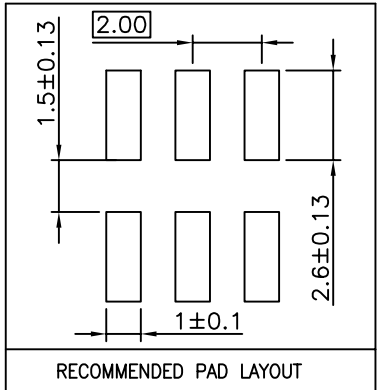
PLATING
S = 0.38µm GOLD/GXT ON CONTACT AREA
2µm MIN MATTE TIN ON TAIL
G = 0.76µm GOLD/GXT ON CONTACT AREA
2µm MIN MATTE TIN ON TAIL
F = GOLD FLASH ON CONTACT AREA
2µm MIN MATTE TIN ON TAIL
T = 2-6.0µm FULL MATTE TIN
1.27µm MIN NICKEL UNDERPLATING

RoHS COMPATIBLE
SEE NOTE 7
POLARIZATION, SEE NOTE 6
PACKAGING, SEE NOTE 5
NB OF POS PER ROW : 02 TO 25

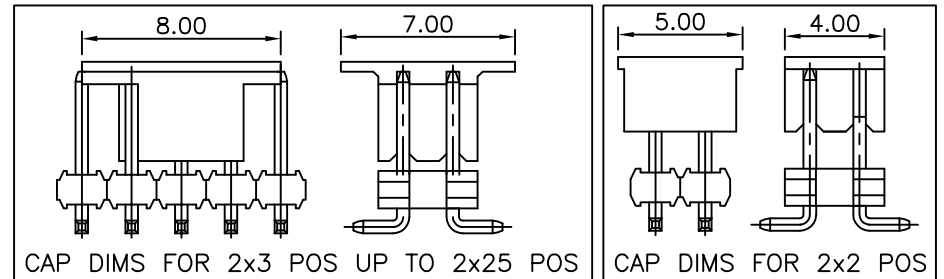
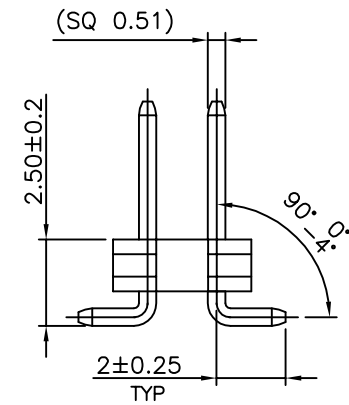
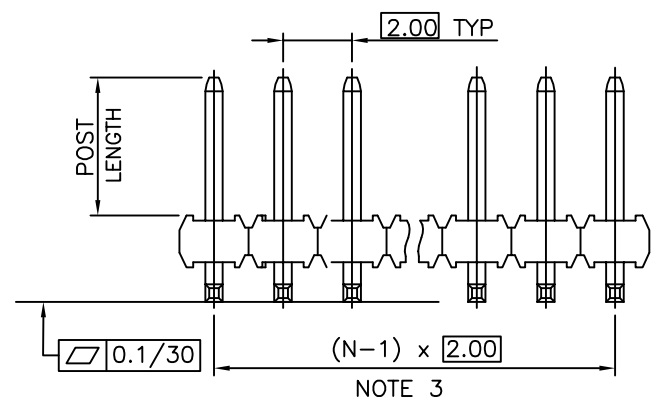
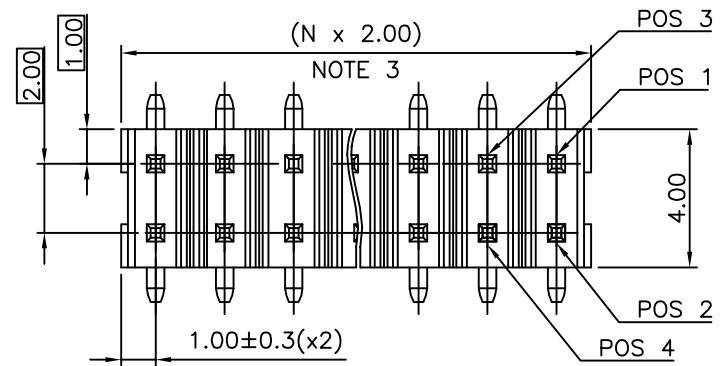
STYLE	POST LENGTH ±0.2
51	2.00
52	4.00
53	3.50
54	2.50

NOTES:

- MATERIAL HOUSING: HIGH TEMP. THERMOPLASTIC
UL 94V-0, COLOR BLACK
- MATERIAL TERMINAL: COPPER ALLOY
- TO DETERMINE DIMENSIONS:
N = NUMBER OF POSITIONS PER ROW.
- 7N MIN. PIN RETENTION IN EITHER DIRECTION.
- PACKAGING:
= STANDARD PACKAGING IN POLYBAGS
- = POLYBAGS PACKAGING WHEN POLARISATION FEATURE APPLICABLE.
U = TUBE AVAILABLE FROM 04 TO 25 POS PER ROW.
A = TAPE AND REEL WITH PICK UP CAP, AS AVAILABLE
K = TAPE AND REEL WITHOUT CAP, AS AVAILABLE.
- FOR POLARIZATION, SPECIFY POSITION NUMBER TO OMIT PIN.
EXAMPLE : 03 = OMIT PIN POSITION 3, SEE TOP VIEW.
OMIT FROM PRODUCT NUMBER IF THIS FEATURE IS NOT APPLICABLE.
- RoHS COMPATIBLE PRODUCT SPECIFICATIONS
 - PLATING:
- "LF" MEANS THE PRODUCT IS LEAD-FREE,
2µm MINIMUM MATTE TIN OVER 1.27µm
MINIMUM NICKEL UNDERPLATE.
 - MANUFACTURING PROCESS COMPATIBILITY
- THE HOUSING WILL WITHSTAND EXPOSURE TO
260°C PEAK TEMPERATURE FOR 30 SECONDES
IN A CONVECTION, INFRA-RED OR VAPOR
PHASE REFLOW OVEN.
 - LABELLING:
- MEETS PACKAGING SPECS AS PER GS-14-920
 - LEGAL STATEMENT : SEE GS-47-0004



TOP VIEW



mat'l. code		surface	tolerance	projection	product family
		ISO 1302	ISO 406 ISO 1101		MINITEK
ltr ecn no dr date		tolerances unless otherwise specified		title	
L	F09-0087	JCO	09.09.04	UNSH HEADER	
M	F11-0026	LMU	11.05.12	2.00 mm VERTICAL SMT	
N	B-19190	LMU	14.10.24	dwg no	
P	B-19797	AMA	14.12.16	sheet 1 of 1 size	
R	B-19988	LMU	15.01.13	57202	
S	B-20032	AMA	15.01.20	A3	
T	F-23051	AMA	16.01.15	type	
sheet index		revision	sheet	CUSTOMER Drawing	



FCIconnect.com

Copyright FCI

Mouser Electronics

Authorized Distributor

Click to View Pricing, Inventory, Delivery & Lifecycle Information:

Amphenol:

[572024014](#) [572024025](#) [572024025448](#)

FCI / Amphenol:

[57202-F52-20A](#) [57202-G52-03TRLF](#) [572024024](#) [57202-S51-07ALF](#) [57202G5320UL](#)