

60 Watts

AEQ15

High Efficiency



Total Power: 60 Watts
 Input Voltages: 48V
 No. of Outputs: Dual

Electrical Specs

Input

Input Range 36 to 75 VDC
 Input Surge 100V /100ms
 Efficiency 90% @5.0/3.3V (balanced Load)

Output

Regulation 5V $\pm 4\%$ Vo
 3.3V $\pm 3\%$ Vo
 Full Load Current 5V @ 12A
 3.3V @ 15A
 60W total output power
 Noise/Ripple¹ 100mV max
 Transient Response
 (25% to 50% Step Load) 5% max deviation at 5V
 200mV (outputs below 5V)
 500 μ s recovery
 Overvoltage Protection 130% nominal output
 Current Limit (Typ) 130% I_{max} (typ)
 Switching Frequency 360kHz (nom)
 Capacitive Load 10,000 μ F (max)

Control

Output Voltage Adjust 90 to 110% Vo
 Enable TTL compatible
 (positive & negative enable options)

Specifications subject to change without notice.

Special Features

- High efficiency
- -40°C to +100°C Baseplate operating temperature
- Industry standard package 1.50" x 2.30" x 0.5"
- High capacitive load limit on start-up
- Regulation to zero load
- Fixed frequency switching
- OCP, OVP, OTP (Autorecovery)
- Undervoltage Lockout with Hysterisis

Environmental

Operating case temperature range:
 -40°C to +100°C
 Storage temperature: -55°C to +125°C
 Overtemperature protection: 110°C typical
 MTBF: > 1 million hours

Safety

UL, cUL 1950 Recognized
 TUV EN60950 Licensed

Ordering Information

Input Voltage	Output Voltage	Maximum Load Current*	Model Number
48V	5V / 3.3V	12A/15A	AEQ15AF48
48V	5V / 3.3V	12A/15A	AEQ15AF48-6
48V	5V / 3.3V	12A/15A	AEQ15AF48N
48V	5V / 3.3V	12A/15A	AEQ15AF48N-6

* Total power both outputs combined not to exceed 60Watts.

Enable Function "N" = negative logic enable
without "N" = positive enable

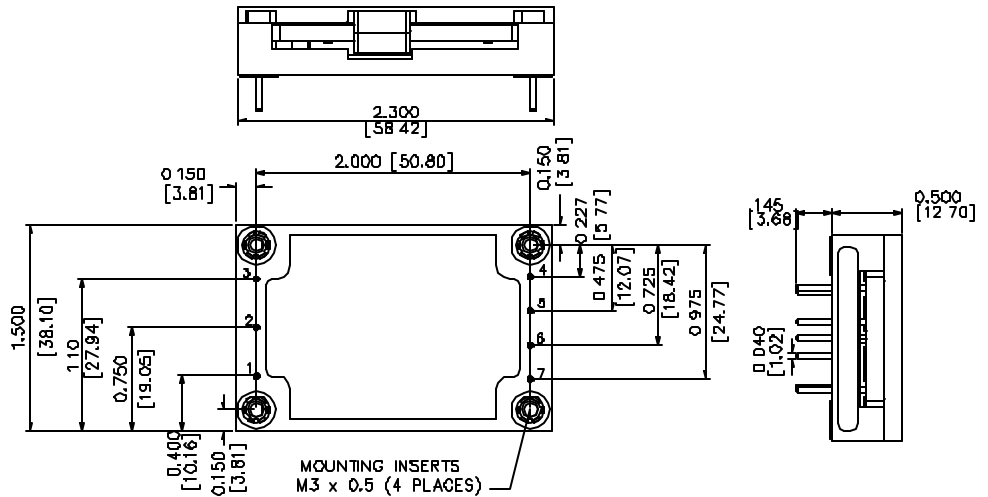
Pin Length without "-6" = 5mm (default standard)
"-6" = 3.7mm (nom);

For other Dual Output Open-Frame Quarter Brick series, please refer to the ALQ15 data sheet.

Pin Assignments

Dual Output

1. +Vin
2. Enable
3. -Vin
4. Vo2
5. Rtn
6. Trim
7. Vo1



Notes:

1. 20 mHz bandwidth. External 10 uF tant. capacitor + 0.1 uF cer. capacitor placed from +V out to -V out.
2. Requires a 2.2 mf, 100V film capacitor connected between +V in and -V in to meet FCC class A and ETS300-386-1 requirements for conducted noise. Consult Factory for filtering information to meet FCC class B, VDE or EIC specifications.
3. All specifications are typical at nominal line, full load, and 25°C unless otherwise noted.
4. All specifications subject to change without notice. Mechanical drawings are for reference only
5. Technical Reference Notes should be consulted for detailed information when available
6. Warranty: 1yr

Mouser Electronics

Authorized Distributor

Click to View Pricing, Inventory, Delivery & Lifecycle Information:

[Artesyn Embedded Technologies:](#)

[AET06F36-L](#)