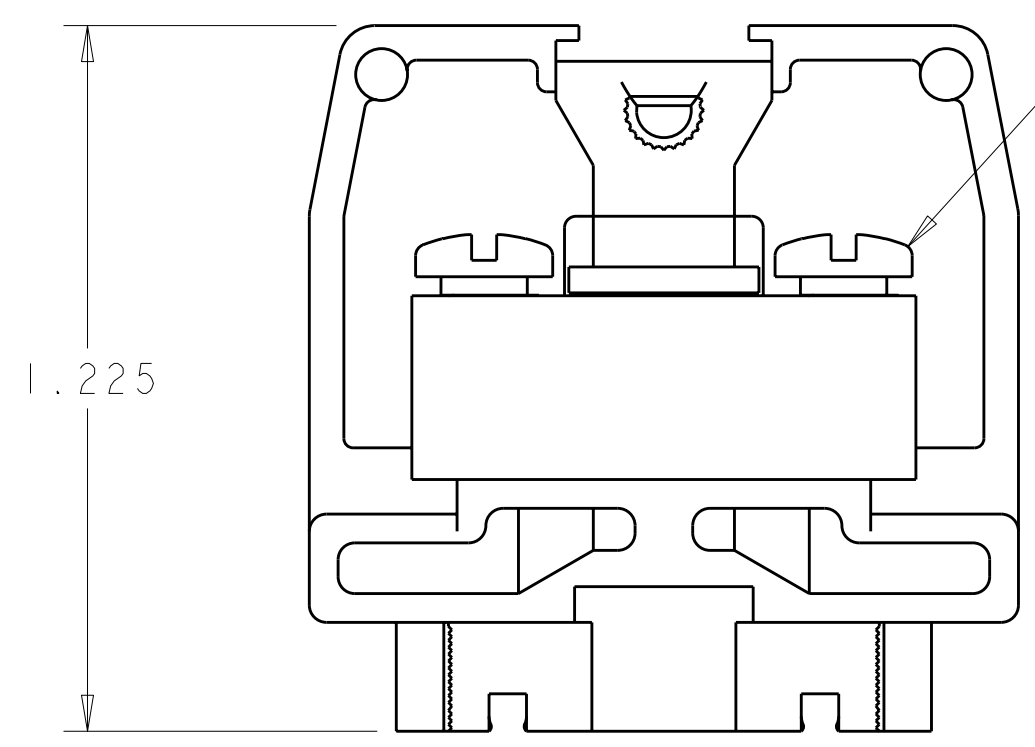
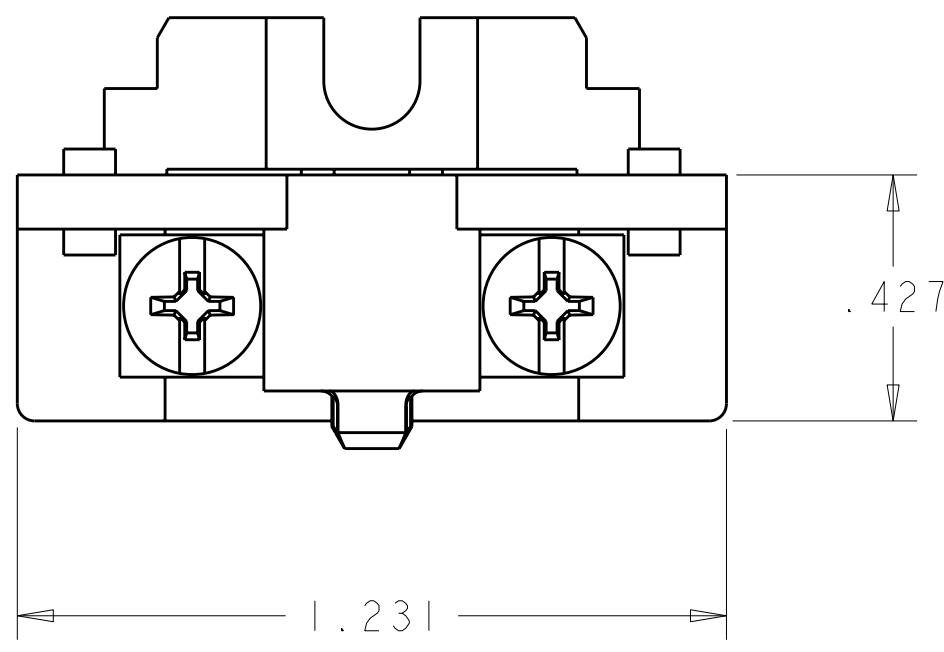


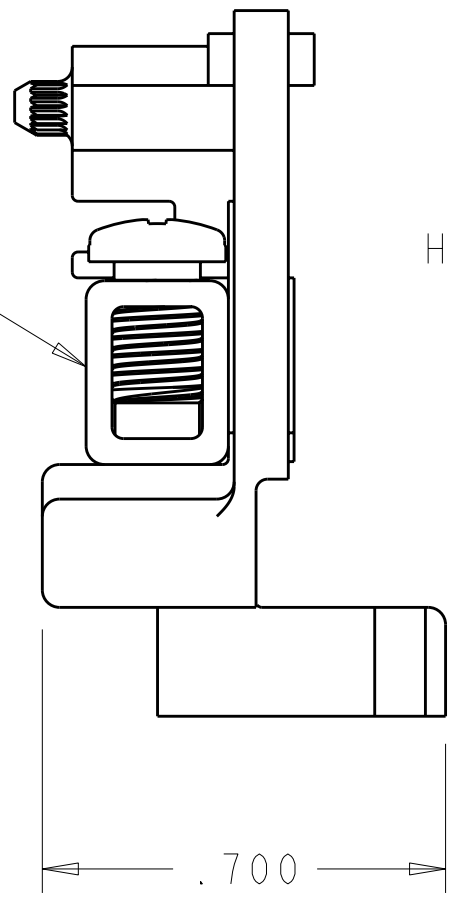
THIS DRAWING IS UNPUBLISHED. RELEASED FOR PUBLICATION 20  
 © COPYRIGHT 20 BY - ALL RIGHTS RESERVED.

LOC		DIST		REVISIONS			
P	LTR	DESCRIPTION	DATE	DWN	APVD		
	EI	REVISED PER ECO-11-004917	12MAR2011	RK	HMR		

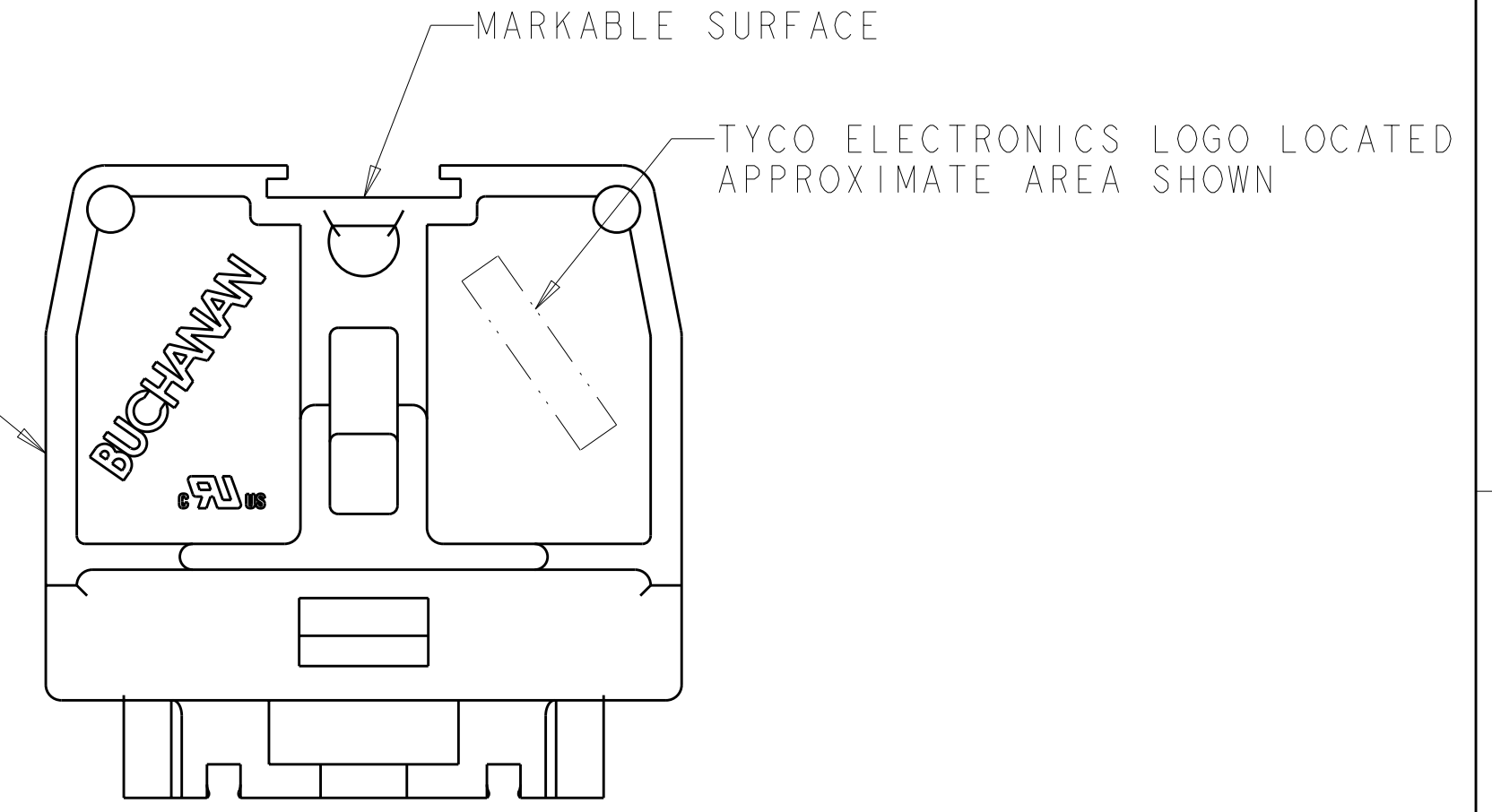


10-32 SCREW  
QTY: 2

TUBULAR CONTACT



HOUSING



MARKABLE SURFACE

TYCO ELECTRONICS LOGO LOCATED APPROXIMATE AREA SHOWN

- 1 PHYSICAL PROPERTIES (STANDARD)  
 HOUSING: POLYESTER, UL 94V-0 RATED, COLOR: GRAY.  
 TUBULAR CONTACT: COPPER ALLOY, ZINC PLATED.  
 SCREW: STEEL, ZINC PLATED CLEAR CHROMATE.
- 2 PHYSICAL PROPERTIES (DURAMAX)  
 HOUSING: POLYESTER, UL 94V-0 RATED, COLOR: GRAY.  
 TUBULAR CONTACT: COPPER ALLOY, NICKEL PLATED.  
 SCREW: COPPER ALLOY, NICKEL PLATED.
- 3. MECHANICAL  
 PITCH: .375  
 MOUNTING: DIRECT MOUNT OR MINIATURE CHANNEL AND CLAMP.  
 OPERATING TEMPERATURE: 150°C MAX.  
 TORQUE: RECOMMENDED TIGHTENING TORQUE IS 8 IN-LBS.
- 4. ELECTRICAL  
 MAXIMUM CURRENT: 50A  
 OPERATING VOLTAGE: 600 V  
 WIRE RANGE: 8-22 AWG.
- 5 SEE RESTRICTED CUSTOMER DRAWING 4-1437394-3.

-	4-1437394-3	5
2	1546147-2	
1	1546147-1	
MATERIAL / FINISH	PART NUMBER	

THIS DRAWING IS A CONTROLLED DOCUMENT.		DWN S. WELDON 15JAN2002	TE Connectivity	
DIMENSIONS: INCHES		CHK S. YODER 15JAN2002		
TOLERANCES UNLESS OTHERWISE SPECIFIED:		APVD S. YODER 15JAN2002	NAME ASSEMBLY, TERMINAL BLOCK, NEMA, FLAT BASE, MEDIUM DUTY, TUBULAR SCREW	
0 PLC ± 1 PLC ± 2 PLC ± 3 PLC ±.010 4 PLC ± ANGLES ± FINISH		PRODUCT SPEC -	SIZE A2	CAGE CODE 00779
MATERIAL SEE TABLE		APPLICATION SPEC -	DRAWING NO. 1546147	RESTRICTED TO -
SEE TABLE		WEIGHT -	SCALE 3:1	SHEET 1 OF 1 REV EI

# Mouser Electronics

Authorized Distributor

Click to View Pricing, Inventory, Delivery & Lifecycle Information:

[TE Connectivity:](#)

[1546147-1](#)