

# SERIES 700 SWITCHES

## PUSHBUTTON SWITCHES - SNAP-ACTING

TACT SWITCHES

NAVIGATION SWITCHES

PUSHBUTTON SWITCHES

TOGGLE SWITCHES

ROCKER SWITCHES

SLIDE SWITCHES

SNAP-ACTION SWITCHES

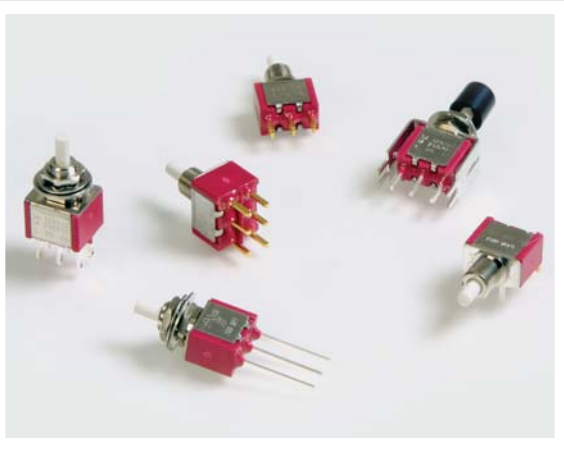
DIP SWITCHES

KEYLOCK SWITCHES

ROTARY SWITCHES

DETECTOR SWITCHES

CAP OPTIONS



### SPECIFICATIONS

Contact Ratings:	1A @ 250 VAC 3A @ 120 VAC or 28 VDC
Life Expectancy:	50,000 cycles typical
Contact Resistance:	20mΩ max. typical @ 2-4 VDC 100mA for both silver and gold plated contacts
Insulation Resistance:	1,000 MΩ min.
Dielectric Strength:	1,000 V RMS @ sea level
Actuation Force:	200 ± 50 gf
Operating Temperature:	-30°C to +85°C
Travel:	1.20mm Typ

### MATERIALS

Case:	DAP
Plunger:	Glass filled nylon or glass filled polyester
Bushing:	Nickel plated brass
Frame:	Stainless steel
Contacts:	Silver or Gold plated copper alloy

### FEATURES & BENEFITS

- ▶ Snap acting contact design
- ▶ Gold & silver contact options
- ▶ Multiple termination options
- ▶ Snap-in panel mount option

### APPLICATIONS/MARKETS

- ▶ Telecommunications
- ▶ Networking
- ▶ Computers/servers
- ▶ Performance audio
- ▶ Instrumentation
- ▶ Low power on/off designs
- ▶ External hard drives and modems

### HOW TO ORDER

SERIES	MODEL NO.	BUSHING	TERMINATION	CONTACT MATERIAL	SEAL	HARDWARE	CAP	CAP COLOR
700	SP7 DP7	B10 B11 B20 B21	M1 VS2 M2 VS3 M51 VS4 M52 VS5 M53 M6 M7	Q = Silver R = Gold	E = Epoxy Sealed at Base of Terminal	H = Hardware		See Cap Options

### Example Ordering Number

700-DP7-B10-M1-Q-E-H-C1-BLK

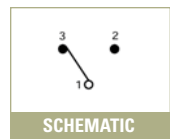
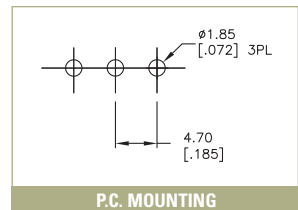
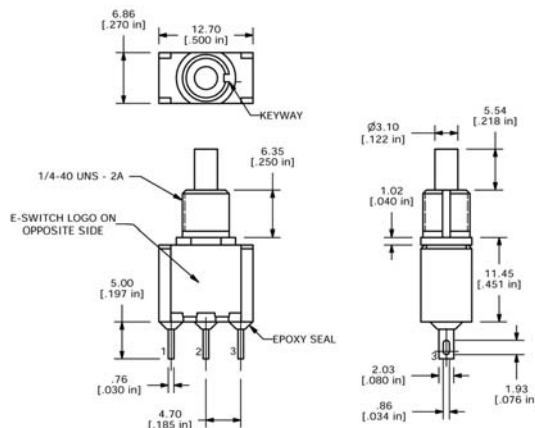
Specifications subject to change without notice.

## SPDT



Model No.	Type
SP-7	ON (ON)
Term. Comm	1-3 1-2

( ) = Momentary

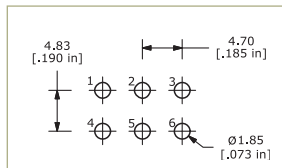
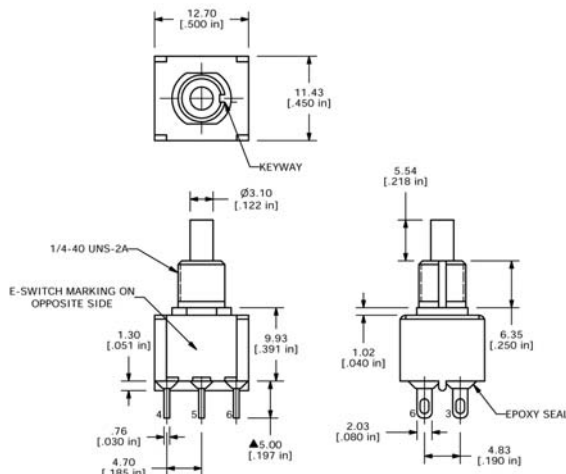




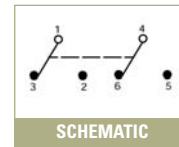
## DPDT



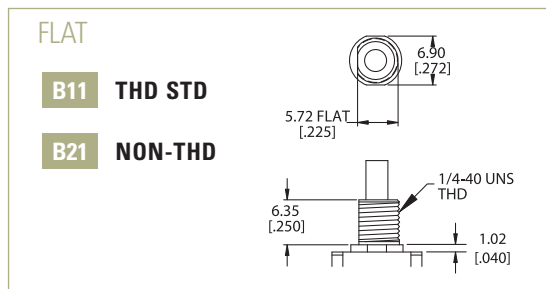
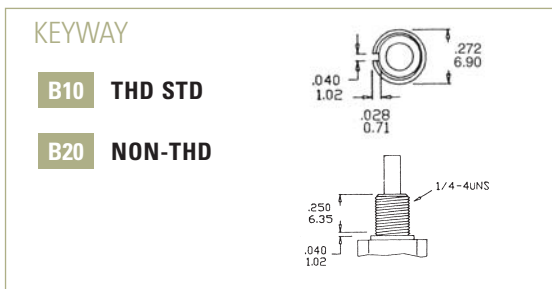
Model No.	Type	
DP-7	ON	(ON)
Term. Comm.	1-3, 4-6	1-2, 4-5
	( ) = Momentary	



P.C. MOUNTING



## BUSHING OPTIONS FOR P.C. MOUNTING



## TERMINATION OPTIONS

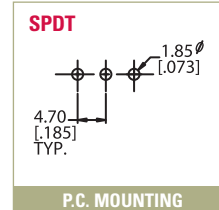
### M1

SOLDER LUG



### M2

P. C. MOUNT

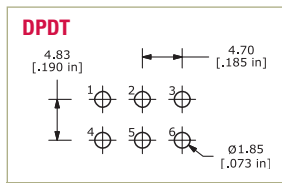
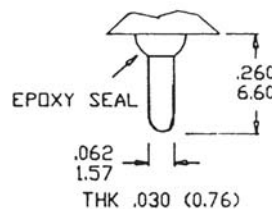
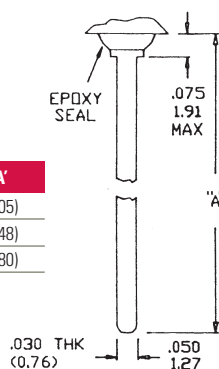


### M5

WIRE WRAP



Option Code	Dim. 'A'
M51	.750 (19.05)
M52	.964 (24.48)
M53	.425 (10.80)





# SERIES 700 SWITCHES

## PUSHBUTTON SWITCHES - SNAP-ACTING

TACT SWITCHES

NAVIGATION SWITCHES

PUSHBUTTON SWITCHES

TOGGLE SWITCHES

ROCKER SWITCHES

SLIDE SWITCHES

SNAP-ACTION SWITCHES

DIP SWITCHES

KEYLOCK SWITCHES

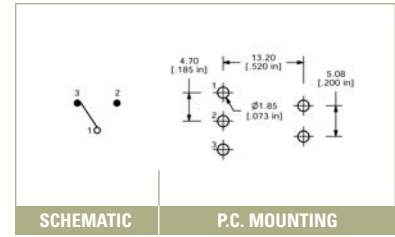
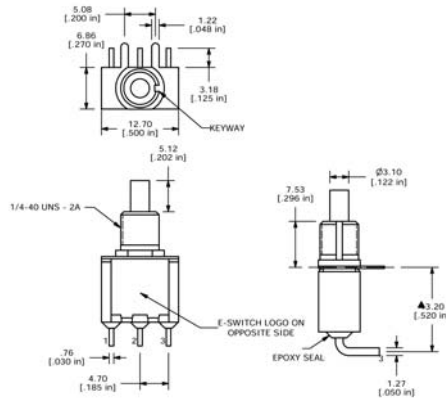
ROTARY SWITCHES

DETECTOR SWITCHES

CAP OPTIONS

### M6

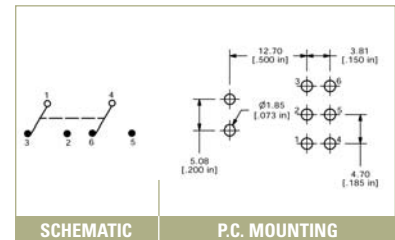
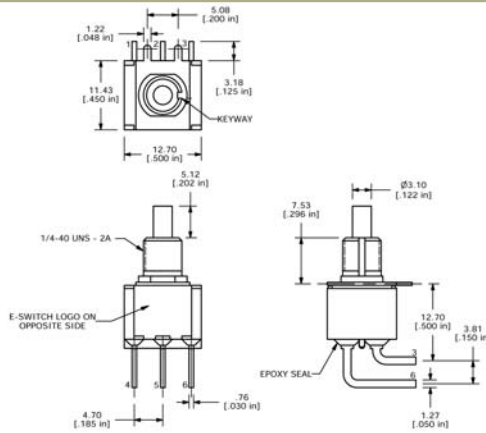
#### SPDT



SCHEMATIC P.C. MOUNTING

### M6

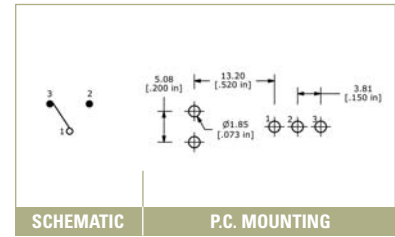
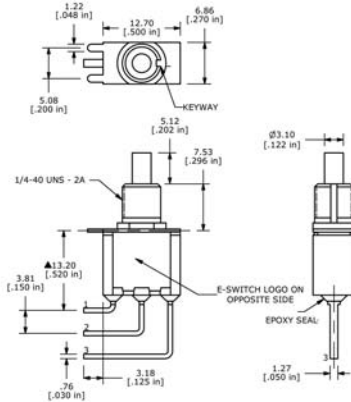
#### DPDT



SCHEMATIC P.C. MOUNTING

### M7

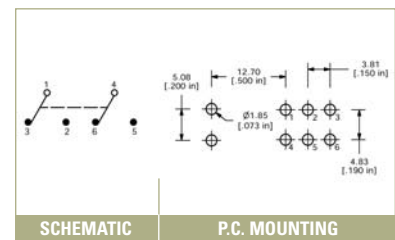
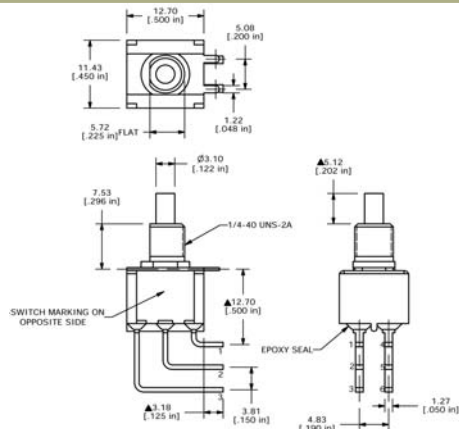
#### SPDT



SCHEMATIC P.C. MOUNTING

### M7

#### DPDT



SCHEMATIC P.C. MOUNTING

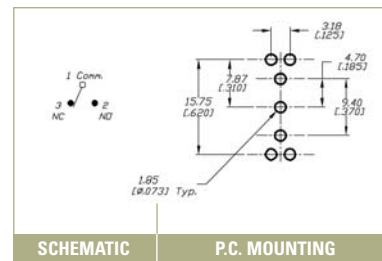
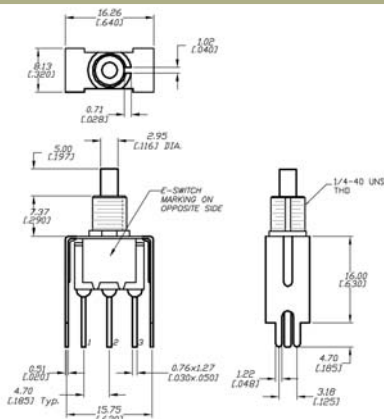


### VS2 or VS3

SPDT



Option Code	Dim. 'A'
VS2	.460 (11.68)
VS3	.630 (16.00)

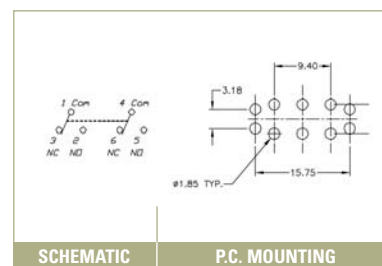
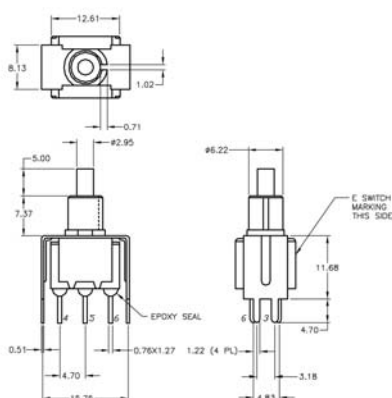


### VS2 or VS3

DPDT



Option Code	Dim. 'A'
VS2	.460 (11.68)
VS3	.630 (16.00)

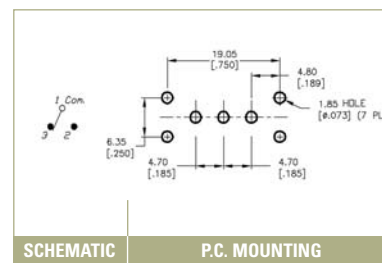
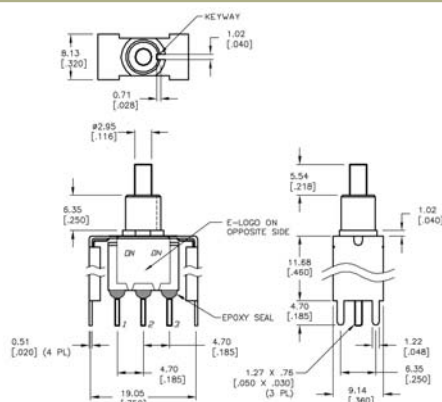


### VS4 or VS5

SPDT



Option Code	Dim. 'A'
VS4	.460 (11.68)
VS5	.630 (16.00)

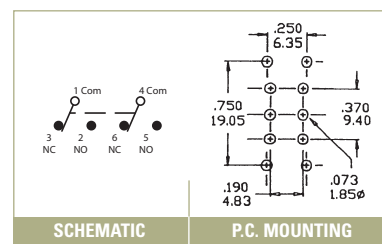
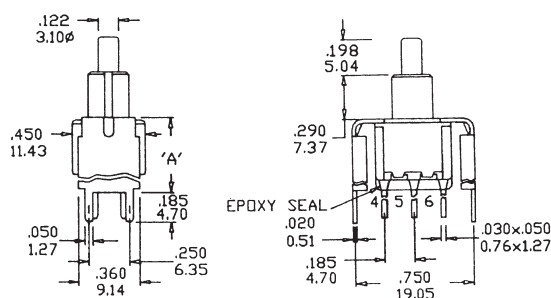


### VS4 or VS5

DPDT



Option Code	Dim. 'A'
VS4	.460 (11.68)
VS5	.630 (16.00)



# Mouser Electronics

Authorized Distributor

Click to View Pricing, Inventory, Delivery & Lifecycle Information:

## E-Switch:

[700DP7B10M6QEHC1BLK](#) [700DP7B10M2REHC1RED](#) [700SP7B10M1QEH](#) [700SP7B10M1REH](#)  
[700SP7B10M2REH](#) [700DP7B10M1REH](#) [700SP7B10M1REHC2BLK](#) [700SP7B20VS2RE](#) [700SP7B20M7RE](#)  
[700SP7B10M1REHC2RED](#) [700DP7B10M2REH](#) [700SP7B10M7QEH](#) [700SP7B10VS2QEHC2BLK](#)  
[700SP7B10M1QEHC1BLK](#) [700SP7B10VS2REH](#) [700SP7M1QEAP2REDBLK](#) [700SP7M1REAP1BLK](#)  
[700SP7M1REAP2BLKBLK](#) [700SP7M1REAP2REDBLK](#) [700SP7M1REAP2WHTBLK](#) [700SP7M3QEAP2BLKBLK](#)  
[700DP7B10M1QE](#) [700DP7B10M1QEC2BLK](#) [700DP7B10M1QEH](#) [700DP7B10M1RE](#) [700DP7B10M1REC2RED](#)  
[700DP7B10M1REC3BLK](#) [700DP7B10M2QE](#) [700DP7B10M2QEC1BLK](#) [700DP7B10M2QEC1RED](#) [700DP7B10M2RE](#)  
[700DP7B10M6QEH](#) [700DP7B10M7QEH](#) [700DP7B10VS2REC1BLK](#) [700DP7B10VS3RE](#) [700DP7B10VS3REH](#)  
[700DP7B11M1REH](#) [700DP7B11M2RE](#) [700DP7B11M2REH](#) [700DP7B11M6QE](#) [700DP7B11M6QEH](#)  
[700DP7B11M7RE](#) [700DP7B11M7REH](#) [700DP7B20M2QE](#) [700DP7B20M6QE](#) [700DP7B20M6QEC1GRN](#)  
[700DP7B20M7RE](#) [700DP7B20VS2QE](#) [700DP7B20VS2RE](#) [700DP7B20VS2REC2BLK](#) [700DP7B21M6QE](#)  
[700DP7M3QEAP2BLKBLK](#) [700SP7B10M1RE](#) [700SP7B10M2QE](#) [700SP7B10M2QEH](#) [700SP7B10M2RE](#)  
[700SP7B10M51QE](#) [700SP7B10M51QEH](#) [700SP7B10M6QE](#) [700SP7B10M6QEH](#) [700SP7B10M6RE](#)  
[700SP7B10M6REH](#) [700SP7B10M7QE](#) [700SP7B10M7RE](#) [700SP7B10M7REH](#) [700SP7B10VS3RE](#)  
[700SP7B10VS3REH](#) [700SP7B10VS5RE](#) [700SP7B10VS5REH](#) [700SP7B11M1QE](#) [700SP7B11M1QEH](#)  
[700SP7B11M1RE](#) [700SP7B11M1REH](#) [700SP7B11M51QE](#) [700SP7B11M51REH](#) [700SP7B11M6QE](#)  
[700SP7B11M6QEH](#) [700SP7B11M6RE](#) [700SP7B11M6REH](#) [700SP7B11M7QE](#) [700SP7B11M7QEH](#)  
[700SP7B11M7RE](#) [700SP7B20M1QE](#) [700SP7B20M2QE](#) [700SP7B20M6QE](#) [700SP7B20M6QEC2BLK](#)  
[700SP7B20M6RE](#) [700SP7B20M6REC1BLK](#) [700SP7B20M6REC2BLK](#) [700SP7B20M7QEC1BLK](#) [700SP7B20VS2QE](#)  
[700SP7B20VS3QE](#) [700SP7B20VS3REC1WHT](#) [700SP7B20VS4QEC2BLK](#) [700SP7B20VS5RE](#) [700SP7B21M1QE](#)  
[700SP7B21M2RE](#) [700SP7B21M6QE](#) [700SP7B21M6RE](#) [700SP7B21M7QE](#)