

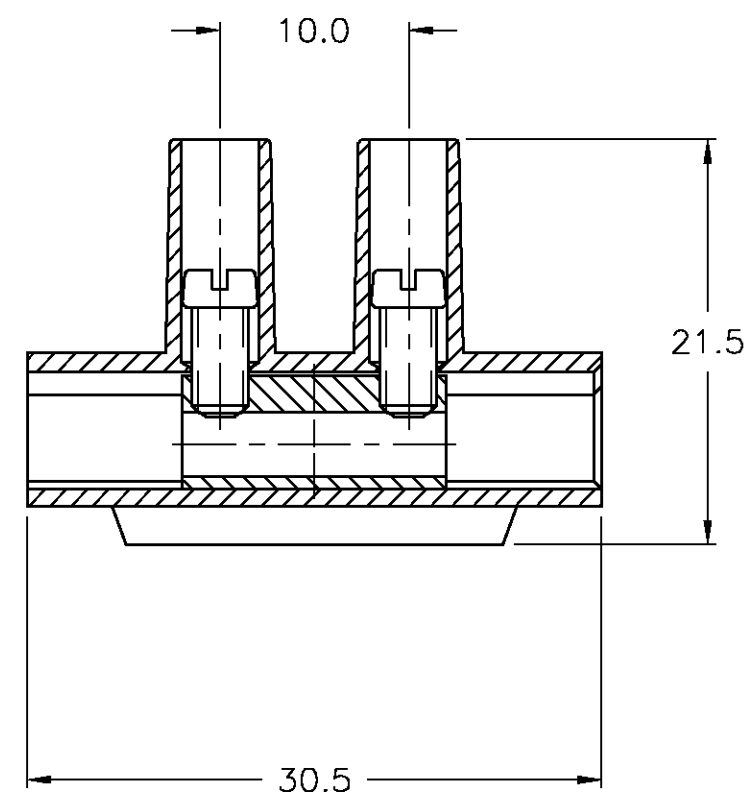
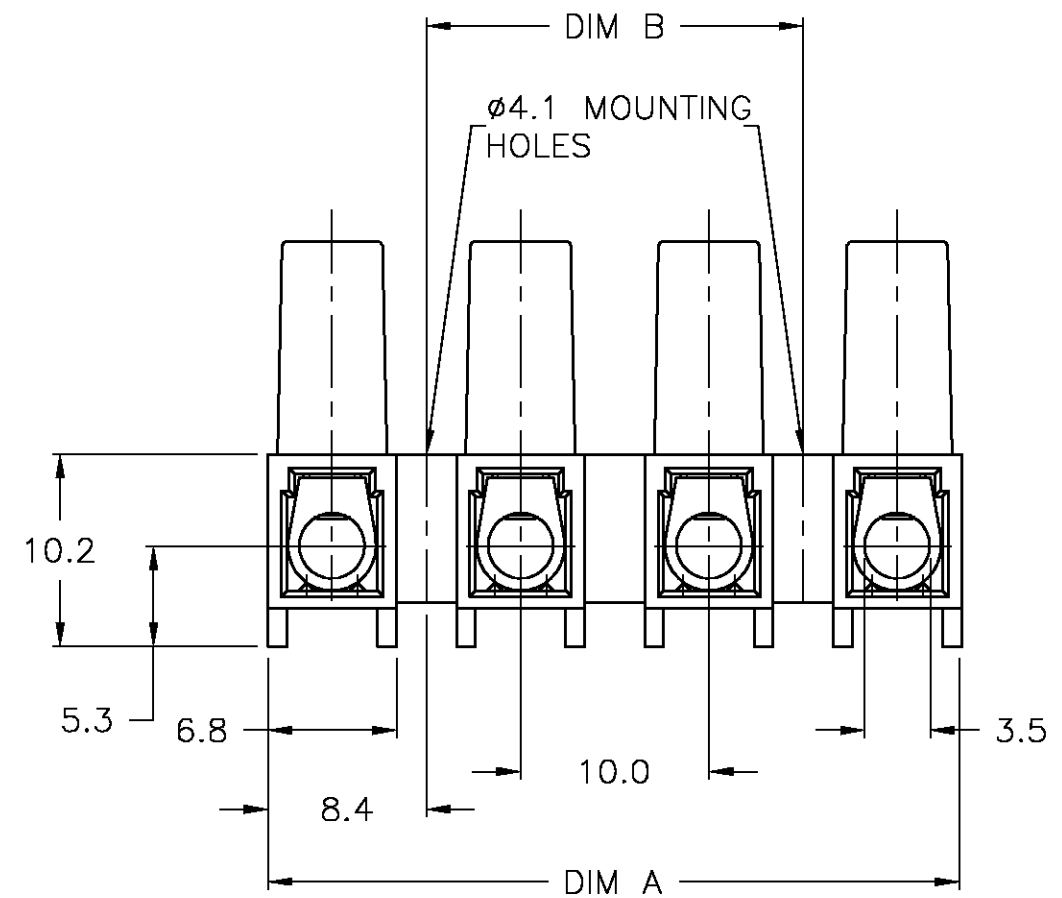
THIS DRAWING IS UNPUBLISHED. RELEASED FOR PUBLICATION
 © COPYRIGHT - BY TYCO ELECTRONICS CORPORATION. ALL RIGHTS RESERVED.

LOC	DIST	REVISIONS					
FT	0	P	LTR	DESCRIPTION	DATE	DWN	APVD
		0		REVISED PER 0G3B-1020-04	3/18/05	SS	CR

MATERIAL:
 HOUSING: POLYAMIDE 6 UL94V-2.
 COLOR: NATURAL (OFF WHITE)
 TERMINAL: BRASS, TIN PLATED
 SCREWS: M3, STEEL, ZINC PLATED W/ NON-
 HEXAVALENT CHROMATE (CHROME III).
 WIRE PROTECTOR: STAINLESS STEEL

ELECTRICAL:
 CURRENT RATING: 30A, 600V.
 WIRE RANGE: 10-22 AWG.

RECOMMENDED TORQUE: 5 IN-LB.
 CONTINUOUS WORKING TEMP MAX.: 100°C.



100.0	116.8	12	TSB500 SK 12	1-1776299-2
90.0	106.8	11	TSB500 SK 11	1-1776299-1
80.0	96.8	10	TSB500 SK 10	1-1776299-0
70.0	86.8	9	TSB500 SK 09	1776299-9
60.0	76.8	8	TSB500 SK 08	1776299-8
50.0	66.8	7	TSB500 SK 07	1776299-7
40.0	56.8	6	TSB500 SK 06	1776299-6
30.0	46.8	5	TSB500 SK 05	1776299-5
20.0	36.8	4	TSB500 SK 04	1776299-4
10.0	26.8	3	TSB500 SK 03	1776299-3
-	16.8	2	TSB500 SK 02	1776299-2
-	6.8	1	TSB500 SK 01	1776299-1
DIM B	DIM A	POSN	CATALOG NUMBER	PART NO

THIS DRAWING IS A CONTROLLED DOCUMENT.		DWN S SCHLEGEL 3/18/05	Tyco Electronics Corporation Harrisburg, Pa 17105-3608													
DIMENSIONS: mm		CHK C RICHARD 3/18/05														
TOLERANCES UNLESS OTHERWISE SPECIFIED:		APVD C RICHARD 3/18/05	NAME 10MM PITCH 30A ELONGATED PLASTIC, EUROPA TERMINAL BLOCK W/O													
<table border="1"> <tr> <td>0 PLC</td> <td>± -</td> </tr> <tr> <td>1 PLC</td> <td>± .3</td> </tr> <tr> <td>2 PLC</td> <td>± .25</td> </tr> <tr> <td>3 PLC</td> <td>± -</td> </tr> <tr> <td>4 PLC</td> <td>± -</td> </tr> <tr> <td>ANGLES</td> <td>± 2'</td> </tr> </table>		0 PLC	± -	1 PLC	± .3	2 PLC	± .25	3 PLC	± -	4 PLC	± -	ANGLES	± 2'	PRODUCT SPEC -	RESTRICTED TO -	
0 PLC	± -															
1 PLC	± .3															
2 PLC	± .25															
3 PLC	± -															
4 PLC	± -															
ANGLES	± 2'															
MATERIAL -		FINISH -	APPLICATION SPEC -	SIZE A3												
		WEIGHT -	CAGE CODE 00779	DRAWING NO 1776299												
		CUSTOMER DRAWING	SCALE NTS	SHEET 1 OF 1												
				REV 0												

Mouser Electronics

Authorized Distributor

Click to View Pricing, Inventory, Delivery & Lifecycle Information:

[TE Connectivity:](#)

[1776299-8](#)