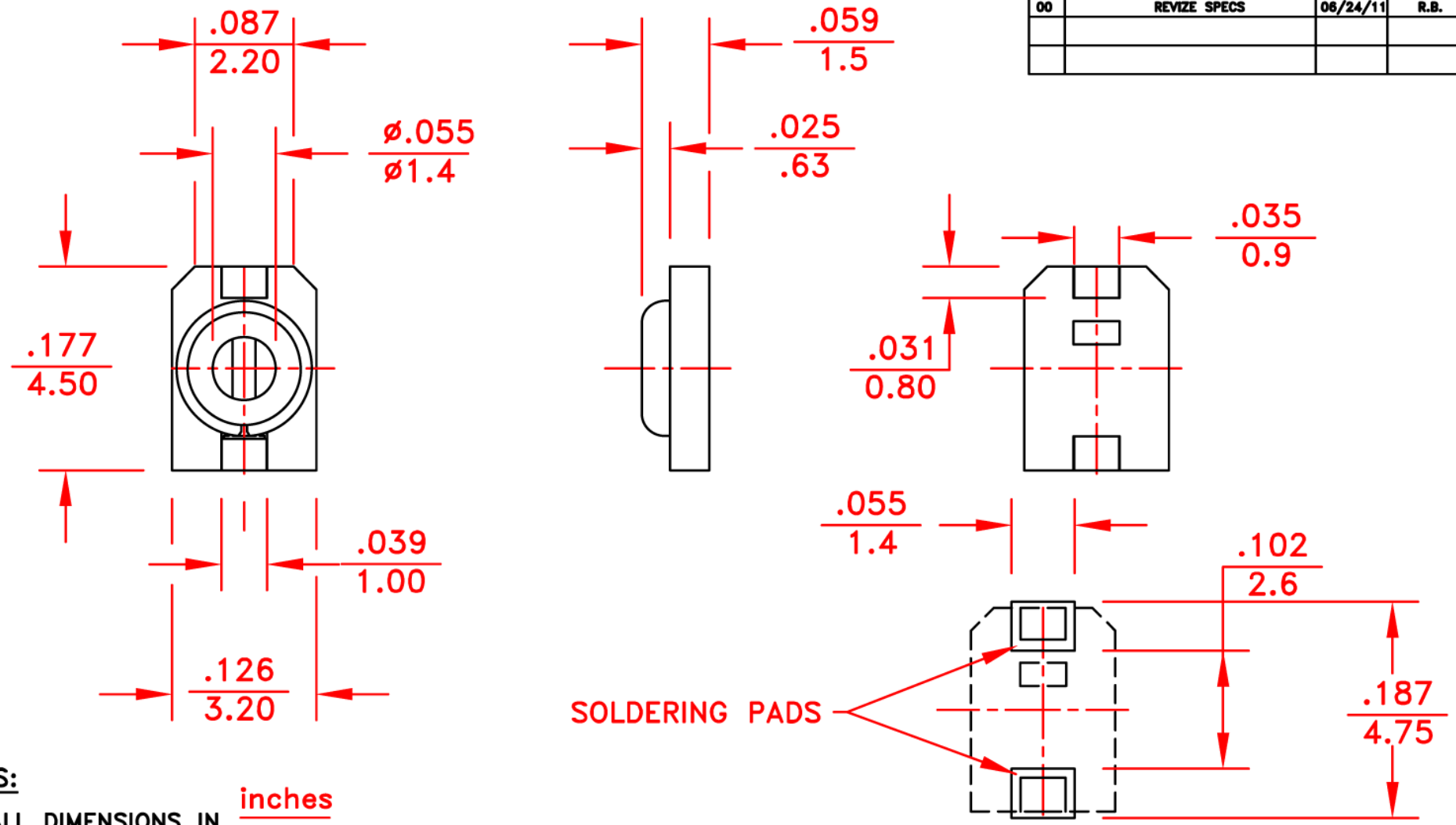


REV.	DESCRIPTION	DATE	APP.
00	REVIZE SPECS	06/24/11	R.B.



NOTES:

1. ALL DIMENSIONS IN inches
mm

SUGGESTED SURFACE MOUNT LAYOUT

RECOMMENDED THICKNESS OF SOLDER .0006
0.15

SPECS	PART NUMBER	SGC3S030	SGC3S060	SGC3S100	SGC3S200	SGC3S300
COLOR CODE	BLACK	BLUE	IVORY	PINK	GREEN	
Capacitance (pF min.)	1.8 max	2.0 max	3.0 max	5.5 max	8.0 max	
Capacitance (pF max.)	4.5 +50%/-0%	6.0 +50%/-0%	10.0 +50%/-0%	20.0 +50%/-0%	30.0 +50%/-0%	
Temperature coefficient (ppm/°C)	NPO±100	NPO±100	N600±400	N900±300	N1200±300	
Q (at 1MHz and C max) min.	500	500	500	500	500	
Insulation resistance	10 ⁴ megohms					
Torque	0.14 to 1.0 oz-in / 10 to 72 gf-cm					
DC Working voltage	500 VDC	500 VDC	500 VDC	500 VDC	500 VDC	
DC Withstanding voltage	1000 VDC	1000 VDC	1000 VDC	1000 VDC	1000 VDC	
Operating temperature C°	-40 to +85					
Self resonant frequency • Cmax	2.0 GHz	1.5 GHz	1.3 GHz	0.8GHz	0.6 GHz	

TOLERANCES: (EXCEPT AS NOTED)	SPRAGUE GOODMAN ELECTRONICS INC. 1700 SHAMES DRIVE WESTBURY, NY 11590		
DECIMAL: xxx ±.016 In ±.41 mm	MATERIAL:	SCALE 8:1	DRAWN BY: R. LEVIN
FRACTIONAL: 1/64	TITLE: OUTLINE DWG SGC3 PRODUCT LINE	APPROVED: R.B. 06/24/11	
ANGULAR: 1/64	DATE: 9/29/06	DRAWING NUMBER SGC3	Rev. 00

Mouser Electronics

Authorized Distributor

Click to View Pricing, Inventory, Delivery & Lifecycle Information:

[Sprague Goodman:](#)

[SGC3S030](#) [SGC3S060](#) [SGC3S100](#) [SGC3S200](#) [SGC3S300](#)