



»» Features

- Miniature PCB baby sugar cube relay.
- General purpose application.
- 10A 277VAC, 15A 125VAC ratings.
- SPNO, SPNC, SPDT and sealed flux free & sealed type washable are available .
- Comply with RoHS-Directive 2011/65/EU.

»» Type List

Terminal style	Contact form	UL Insulation system approval	Designation (provided with)		
			Flux tight	Sealed type	Sealed type washable
PCB terminal	1A (SPNO)	-----	833H-1A-C	833H-1A-V	833H-1A-S
		F	833H-1A-F-C	833H-1A-F-V	833H-1A-F-S
	1C (SPDT)	-----	833H-1C-C	833H-1C-V	833H-1C-S
		F	833H-1C-F-C	833H-1C-F-V	833H-1C-F-S

»» Ordering Information

833H - 1A - - C

1 2 3 4 5

1. 833H -- Basic series designation

2. 1A -- Single pole normally open

1B -- Single pole normally closed

1C -- Single pole double throw

3. Blank -- Standard type

F -- Class F

4. C -- Flux tight

V -- Sealed type

S -- Sealed type washable

5. -- Coil voltage (please refer to the coil rating data for the availability)

»» Contact Rating

Resistive load	NO:10A 125VAC, 7A 250VAC, 7A 30VDC ; NC:7A 250VAC
----------------	---

»» Coil Rating (DC)

Rated voltage (V)	Rated current ±10 % at 23°C (mA)	Coil resistance ±10 % at 23°C (Ω)	Max. continuous voltage at 70°C	Pick up voltage(Max.) at 23°C	Drop out voltage(Min.) at 23°C	Power consumption at rated voltage				
3	120	25	150 % of rated voltage	75 % of rated voltage	10 % of rated voltage	approx. 0.36W				
4	91	44								
5	72	70								
6	60	100								
9	40	225								
12	30	400								
24	15	1600								
36	10	3600								
48	9.4	5120								approx. 0.45W

833H

»» Specification

Contact material	AgSnO alloy	
Contact resistance ⁽¹⁾	100mΩ Max. (1A/6VDC by 4 pipes mΩ meter)	
Operate time ⁽¹⁾	10ms Max.	
Release time ⁽¹⁾	5ms Max.	
Insulation resistance ⁽¹⁾	100MΩ Min. (DC 500V)	
Dielectric strength ⁽¹⁾	Between open contact	: AC 750V , 50/60Hz 1 min.
	Between contact and coil	: AC 1500V , 50/60Hz 1 min.
Vibration resistance	Operating extremes	10~50Hz , amplitude 1.5 mm
	Damage limits	10~50Hz , amplitude 1.5 mm
Shock resistance	Operating extremes	10G
	Damage limits	100G
Life expectancy	Mechanical	10,000,000 operations (frequency 18,000 operations/hr)
	Electrical	100,000 operations (frequency 1,200 operations/hr)
Operating ambient temperature	-40~+70°C (no freezing) ⁽²⁾	
Weight	Approx. 10 g	

Note : (1) initial value

(2) -40~+85°C is available.

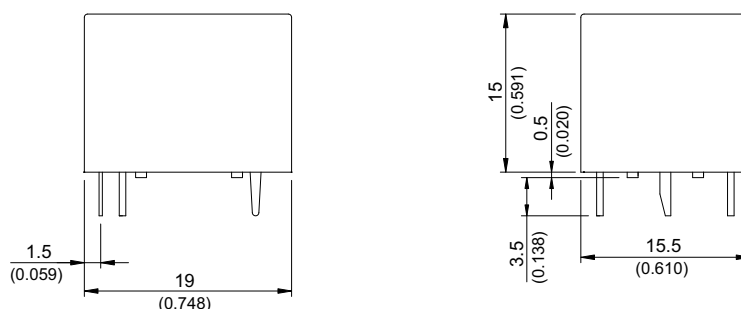
»» Safety Approval

Certified	UL / CUL	TUV
File No.	E88991	R3-09754206

»» Safety Approval Rating

UL / CUL	TUV
15A 125VAC	12A 125VAC
10A 277VAC	7A 250VAC
7A 30VDC	7A 30VDC
1/4HP 125/250VAC (NC)	4A 250VAC cosφ0.3
1/3HP 125/250VAC (NO)	

»» Outline Dimensions



»» Wiring Diagram BOTTOM VIEW

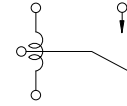
1C



1B



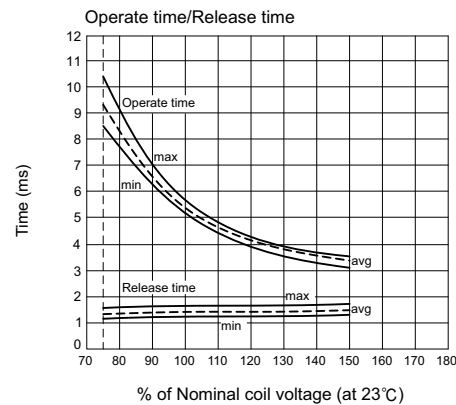
1A



»» PC Board Layout BOTTOM VIEW



»» Engineering Data



Mouser Electronics

Authorized Distributor

Click to View Pricing, Inventory, Delivery & Lifecycle Information:

Song Chuan:

[833H-1C-S-5VDC](#) [833H-1A-C-12VDC](#) [833H-1A-C-18VDC](#) [833H-1A-C-24VDC](#) [833H-1A-C-5VDC](#) [833H-1A-C-9VDC](#)
[833H-1A-S-12VDC](#) [833H-1A-S-18VDC](#) [833H-1A-S-24VDC](#) [833H-1A-S-48VDC](#) [833H-1A-S-5VDC](#) [833H-1A-S-9VDC](#)
[833H-1C-C-48VDC](#) [833H-1C-C-5VDC](#) [833H-1C-C-6VDC](#) [833H-1C-C-9VDC](#) [833H-1C-S-15VDC](#) [833H-1C-S-18VDC](#)
[833H-1C-S-20VDC](#) [833H-1C-S-36VDC](#) [833H-1C-S-48VDC](#) [833H-1C-S-6VDC](#) [833H-1C-S-9VDC](#) [833H-1C-C-](#)
[12VDC](#) [833H-1C-C-24VDC](#) [833H-1C-S-24VDC](#) [833H-1C-S-12VDC](#) [833H-1C-F-C-12VDC](#) [833H-1A-F-S-24VDC](#)
[833H-1A-F-C-24VDC](#) [833H-1C-F-S-24VDC](#) [833H-1A-F-S-12VDC](#) [833H-1A-F-C-12 VDC](#) [833H-1C-F-S-12 VDC](#)