

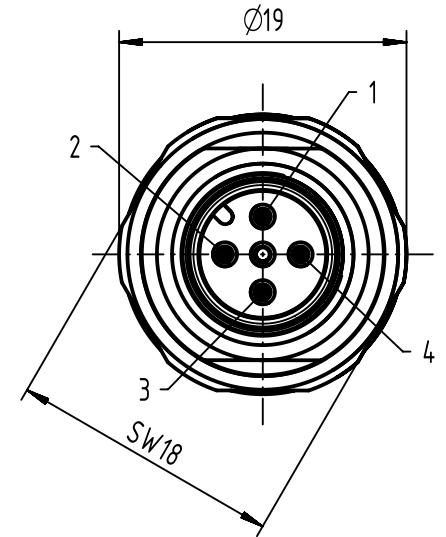
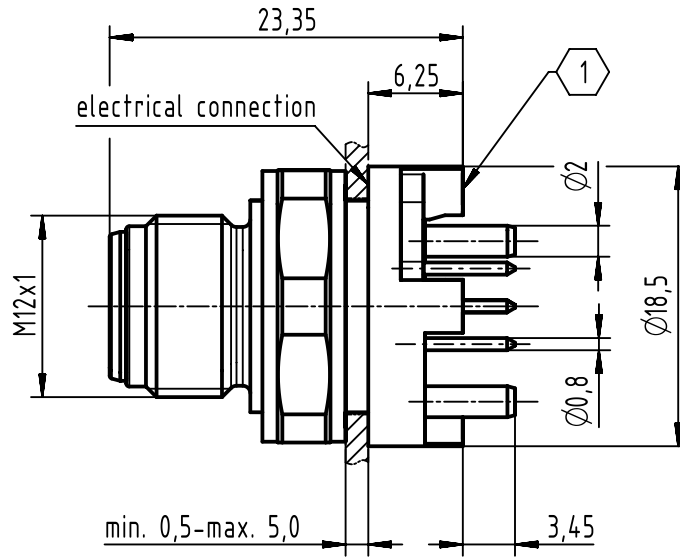
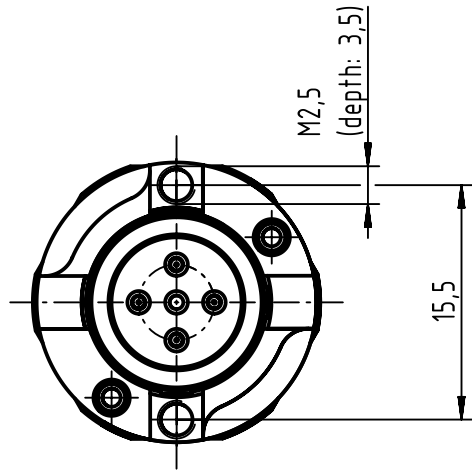
1 2 3 4 5 6

A

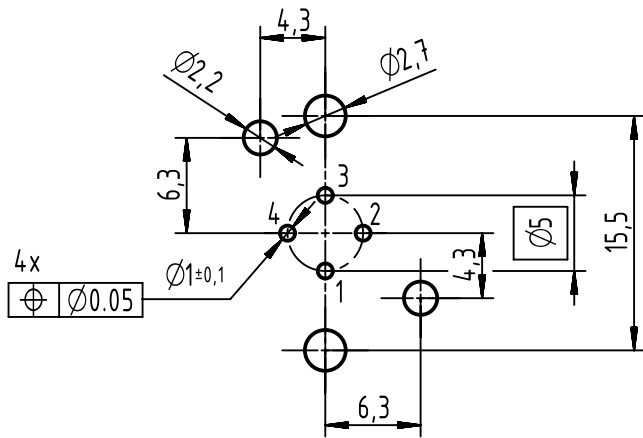
B

C

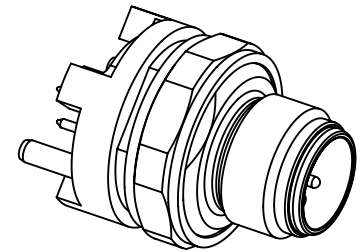
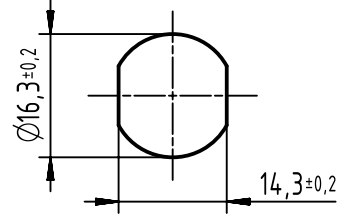
D



PCB layout



panel cut-out (1:1)



1 top surface PCB

recommended PCB-thickness: 1,6mm

	All Dimensions in mm Original Size DIN A4		Scale 2:1	Free size tol.	Ref. Sub. TB 21 03 321 1410 / Mod. EC04624 / 19.03.2012		
	All rights reserved Department EC PD - DE		Created by HASSE	Inspected by WELLMANN	Standardisation HOFFMANN	Date 2015-09-02	State Final Release
HARTING Electronics GmbH D-32339 Espelkamp			Title HARTING M12 PFT A-cod 4-pole male straight IP20			Doc-Key / ECM-Nr. 100227066/UGD/003/B 500000093168	
			Type TB	Number 21033211410		Rev. B	Page 1/1

# Mouser Electronics

Authorized Distributor

Click to View Pricing, Inventory, Delivery & Lifecycle Information:

[HARTING:](#)

[21033211410](#)