

**PLEASE CHECK WWW.MOLEX.COM FOR LATEST PART INFORMATION**

**Part Number:** [0855105017](#)  
**Status:** **Active**  
**Overview:** Magnetic and Modular Jacks/Plugs  
**Description:** Modular Jack, Vertical, Top Entry, Surface Mount, 4/4, Solder Tabs, 13" Reel

**Documents:**

<a href="#">3D Model</a>	<a href="#">Packaging Specification PK-85510-002 (PDF)</a>
<a href="#">Drawing (PDF)</a>	<a href="#">Test Summary STR-1429-001 (PDF)</a>
<a href="#">Product Specification PS-95503-001-001 (PDF)</a>	<a href="#">RoHS Certificate of Compliance (PDF)</a>
<a href="#">Application Specification AS-85513-001-001 (PDF)</a>	<a href="#">Product Literature (PDF)</a>

**Agency Certification**

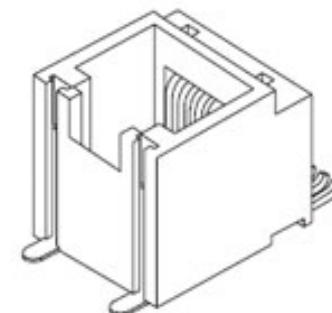
UL E107635

**General**

Product Family	Modular Jacks/Plugs
Series	<a href="#">85510</a>
Comments	Reflow Capable, Small Panel Cutout, Reflow Capable, Small Panel Cutout
Component Type	PCB Jack
Magnetic	No
Overview	<a href="#">Magnetic and Modular Jacks/Plugs</a>
Performance Category	3
Power over Ethernet (PoE)	N/A
Product Literature Order No	987650-8441
Product Name	Modular Jack 4/4
UPC	800756824666

**Physical**

Boot Color	N/A
Color - Resin	Black
Durability (mating cycles max)	2500
Flammability	94V-0
Inverted / Top Latch	No
Jack Height	15.70mm
Lightpipes/LEDs	None
Material - Metal	Copper Alloy
Material - Plating Mating	Gold over Palladium Nickel
Material - Plating Termination	Tin
Material - Resin	High Temperature Thermoplastic
Net Weight	2647.910/mg
Orientation	Vertical (Top Entry)
PCB Locator	No
PCB Retention	Yes
Packaging Type	Embossed Tape on Reel
Pitch - Mating Interface	1.02mm
Pitch - Termination Interface	1.27mm
Plating min - Mating	0.051µm, 1.016µm
Plating min - Termination	1.905µm
Port Configuration	1x1
Positions / Loaded Contacts	4/4
Surface Mount Compatible (SMC)	Yes
Temperature Range - Operating	-40° to +85°C
Termination Interface: Style	Surface Mount
Waterproof / Dustproof	No
Wire/Cable Type	N/A



Series image - Reference only

**EU ELV**

**Not Relevant**

**EU RoHS**

**Compliant**

**REACH SVHC**

Not Contained Per - ED/71/2019 (16 July 2019)

**Halogen-Free**

**Status**

**Low-Halogen**

For more information, please visit [Contact US](#)

China ROHS

ELV

RoHS Phthalates

**China RoHS**

Green Image

Not Relevant

Not Contained

**Search Parts in this Series**

[85510](#) Series

**Mates With**

[90075](#) Modular Plug

**Electrical**

Current - Maximum per Contact	1.5A
Shielded	No
Voltage - Maximum	125V DC

**Solder Process Data**

Duration at Max. Process Temperature (seconds)	040
Lead-free Process Capability	REFLOW
Max. Cycles at Max. Process Temperature	003
Process Temperature max. C	260

**Material Info****Reference - Drawing Numbers**

Application Specification	AS-85513-001-001
Packaging Specification	PK-85510-002
Product Specification	PS-95503-001-001
Sales Drawing	SD-85510-002
Test Summary	STR-1429-001

This document was generated on 09/18/2019

**PLEASE CHECK [WWW.MOLEX.COM](http://WWW.MOLEX.COM) FOR LATEST PART INFORMATION**

# Mouser Electronics

Authorized Distributor

Click to View Pricing, Inventory, Delivery & Lifecycle Information:

[Molex:](#)

[85510-5017](#)