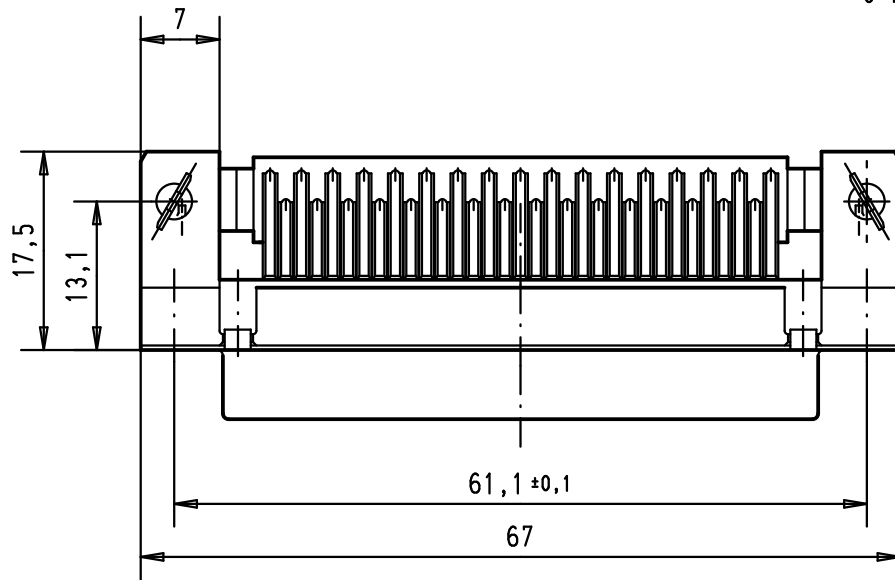
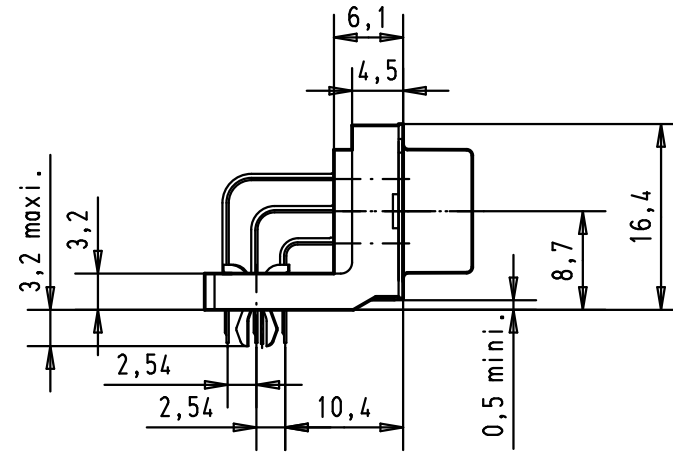
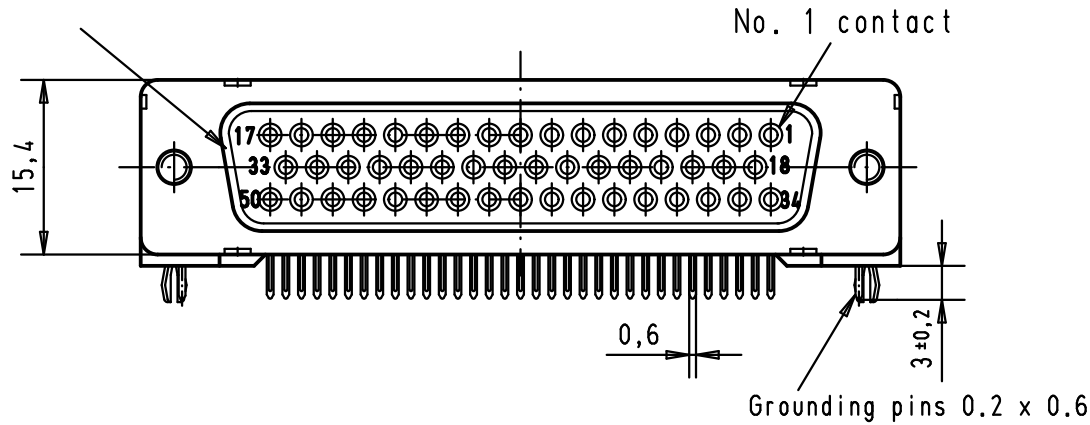
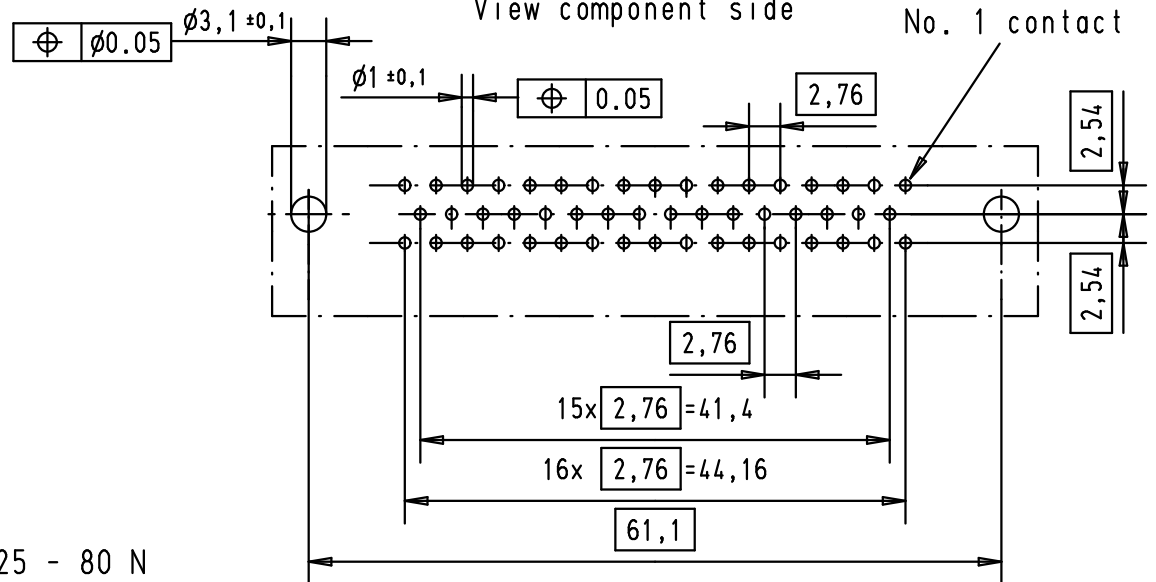


Mating face according to MIL-C-24308 / DIN 41 652 / CECC 75301-802





Mounting force on Printed board : 25 - 80 N

Printed board layout (1,6±0,2 thick)
View component side



A

Part number	nut thread	Performance level	Mod.	Dat.	Name	Dat.	Name	 All Dim. in mm Orig. Size DIN A 4	D-Sub female angled 50 poles with solder pins, nuts, board lock and grounding pins	Maßstab/ Scale 1,5:1
09 66 552 6611	M3	2								
09 66 552 7611	M3	3				Detail.	17-OCT-01	JB		
09 66 552 3611	M3	1	36285	16/12/11	SD	Insp.	16/12/11	JB		
09 66 552 6612	4-40 UNC	2	31084	04/09/02	YT	Stand.				
09 66 552 7612	4-40 UNC	3	29743	10/01/02	S.H.	HARTING EURL F-95972 Paris				Blatt/ Page 1 / 1
09 66 552 3612	4-40 UNC	1	29722	17-OCT-01	JB					
									TB 09 66 552 X61X	
								Sub.		

Mouser Electronics

Authorized Distributor

Click to View Pricing, Inventory, Delivery & Lifecycle Information:

HARTING:

[09665526611](#) [09665527611](#) [09665527612](#) [09665526612](#)