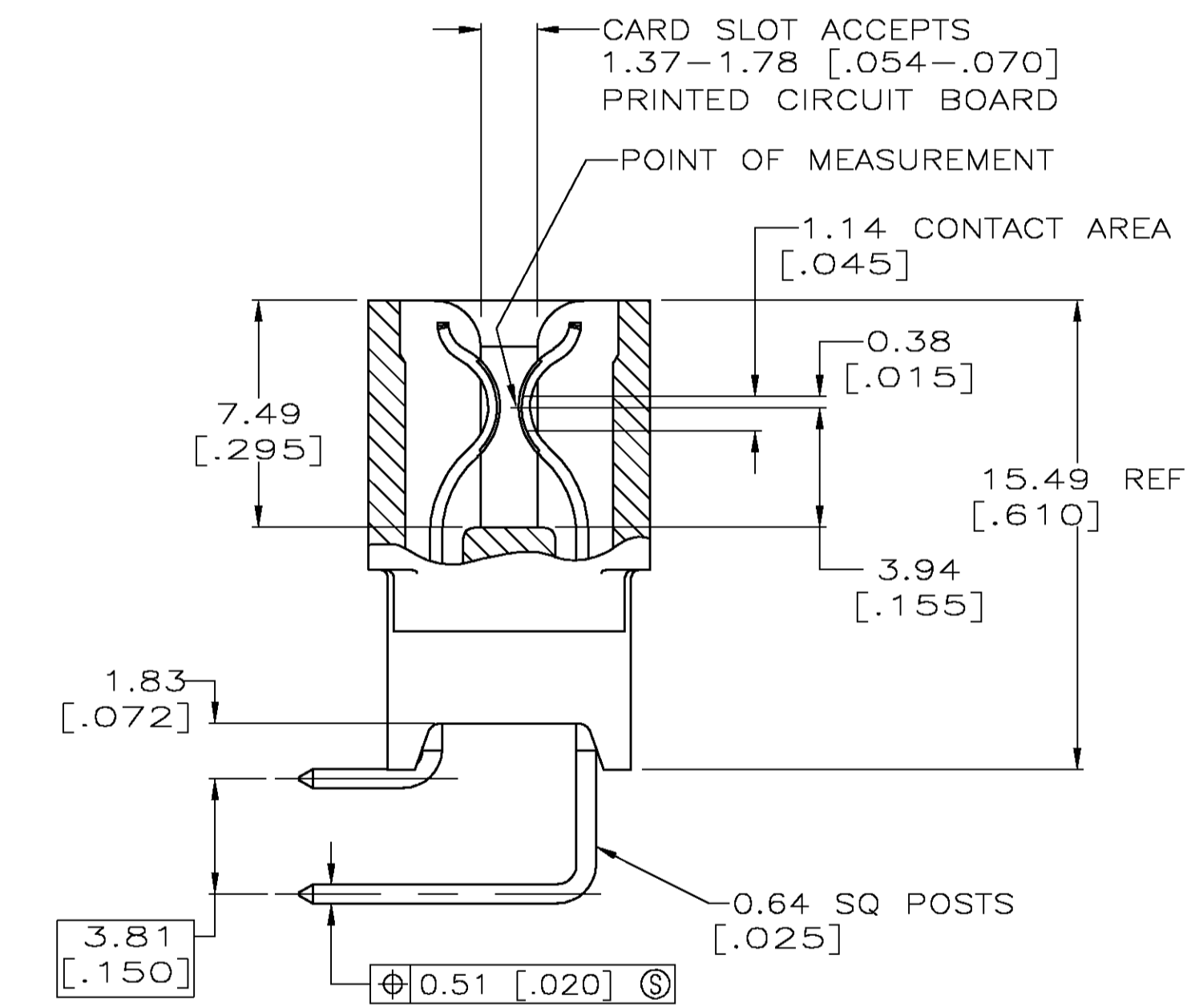
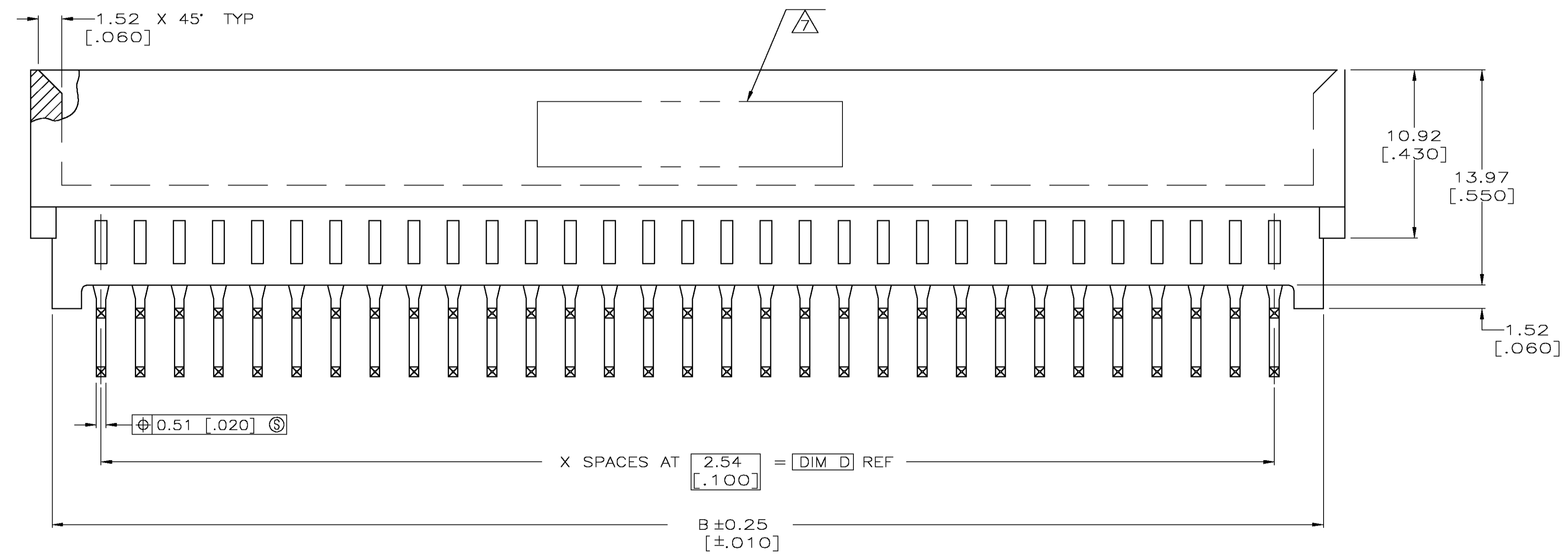


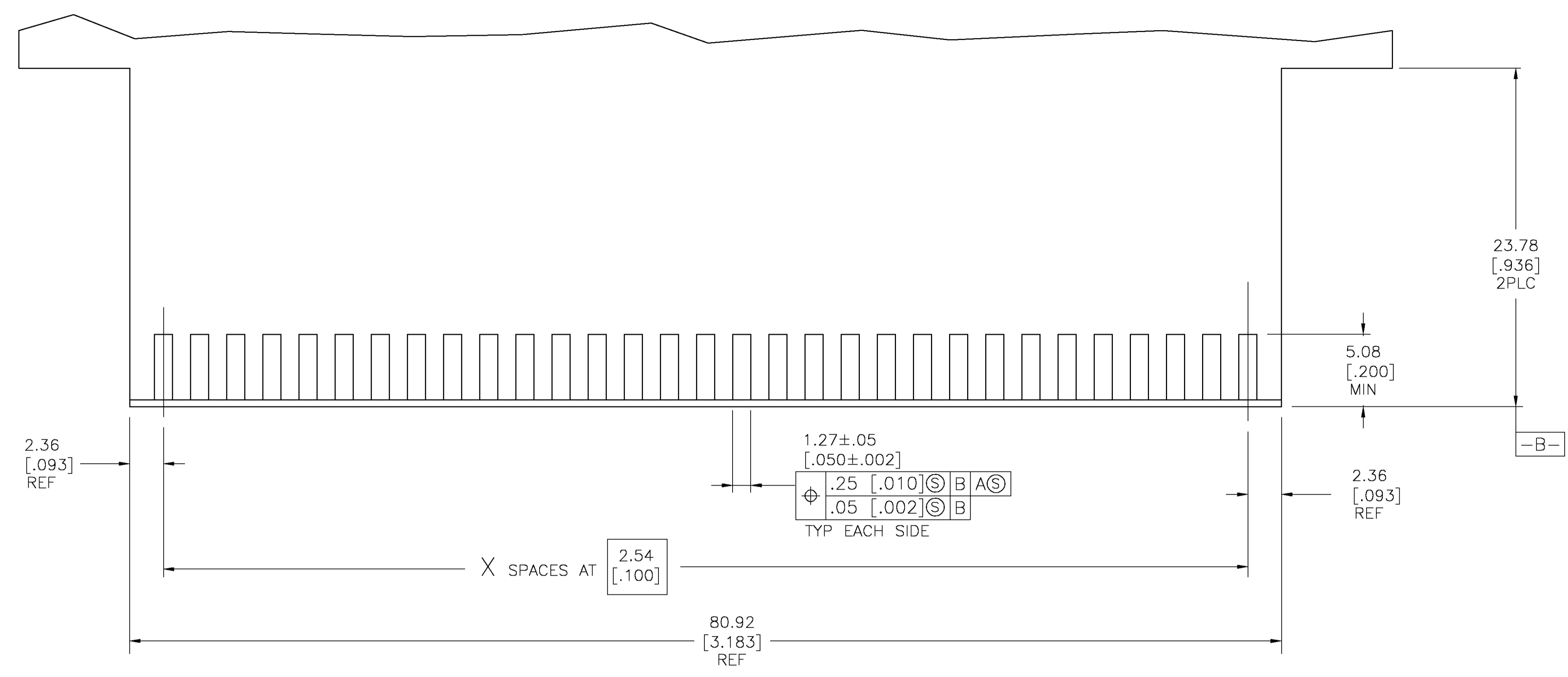
- ① HOUSING: GLASS FILLED POLYESTER; COLOR: BLACK.
- ② CONTACT: PHOSPHOR BRONZE.
- ③ NICKEL UNDERPLATE: 0.00127 [.000050] MIN - ALL OVER.
- ④ MATTE TIN PLATE: 0.00254 [.000100] MIN - SOLDER POSTS.
- ⑤ GOLD PLATE: 0.00038 [.000015] MIN - CONTACT AREA.
- ⑥ NICKEL PLATE PER MIL-C-45204.
GOLD PLATE PER QQ-N-290.
- ⑦ AMP PART NUMBER AND DATE CODE ARE MARKED IN APPROXIMATE AREA SHOWN, EITHER SIDE.
- ⑧ DATUMS AND BASIC DIMENSIONS ESTABLISHED BY CUSTOMER.
PIN 1 LOCATION AND DESIGNATION ESTABLISHED BY CUSTOMER.



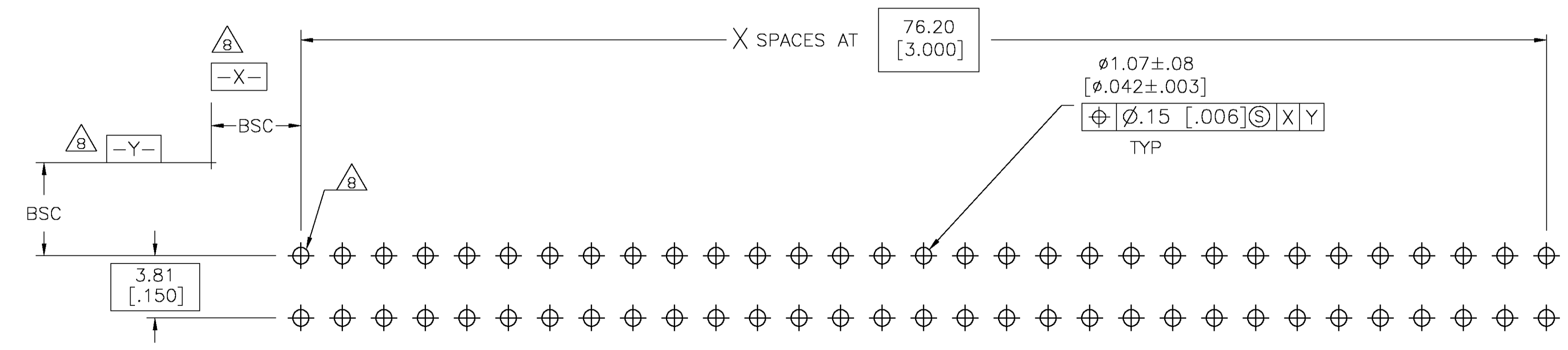
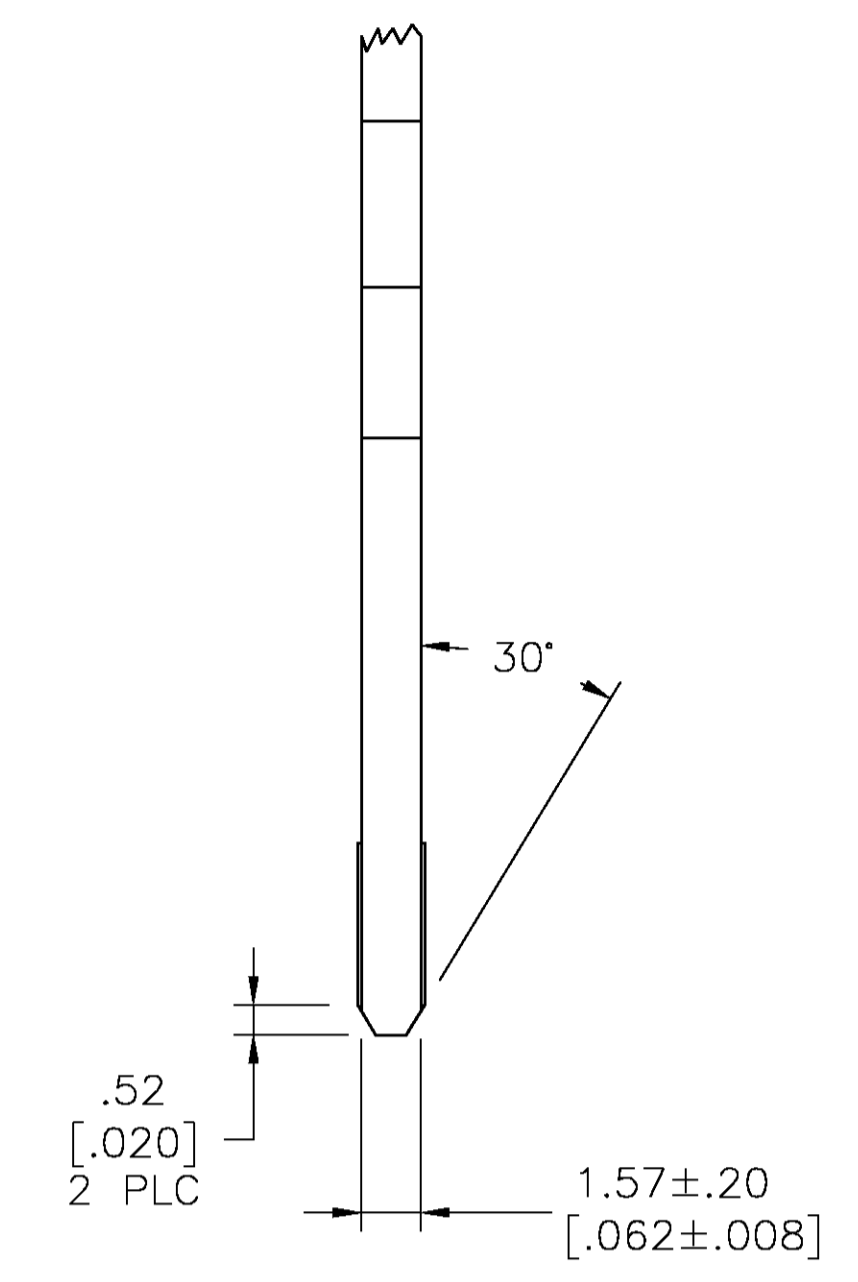
45.72	50.80	52.07	54.864	18	19	5532600-6
[1.800]	[2.000]	[2.050]	[2.160]			
78.74	83.82	85.09	87.88	31	32	5532600-5
[3.100]	[3.300]	[3.350]	[3.460]			
76.20	81.28	82.55	85.34	30	31	5532600-4
[3.000]	[3.200]	[3.250]	[3.360]			
60.96	66.04	67.31	70.10	24	25	5532600-2
[2.400]	[2.600]	[2.650]	[2.760]			
D	C	B	A	X	NO OF POSN	PART NUMBER

THIS DRAWING IS A CONTROLLED DOCUMENT.

DIMENSIONS: mm 	TOLERANCES UNLESS OTHERWISE SPECIFIED: 0 PLC ± - 1 PLC ± - 2 PLC ± ± 0.13[.005] 3 PLC ± ± - 4 PLC ± ± - ANGLES ± ± Z	AL FRANTUM 18 OCT 04 AL FRANTUM 18 OCT 04 AL FRANTUM 18 OCT 04 PRODUCT SPEC 108-9039 APPLICATION SPEC SIZE CAGE CODE DRAWING NO A1 00779 C=5532600 WEIGHT CUSTOMER DRAWING	Tyco Electronics Corporation Harrisburg, Pa 17105-3608 CONNECTOR ASSEMBLY, STD EDGE II, 2.54 [.100] x 3.81 [.150], RIGHT ANGLE SCALE 5:1 SHEET 1 OF 2 REV B
-----------------------	----------------------------------------------------------------------------------------------------------------------------------------	-------------------------------------------------------------------------------------------------------------------------------------------------------------------------------------------------	----------------------------------------------------------------------------------------------------------------------------------------------------------------------------



RECOMMENDED MATING BOARD EDGE CONFIGURATION
 -4 CONFIGURATION SHOWN



RECOMMENDED PC BOARD HOLE LAYOUT
 -4 CONFIGURATION SHOWN

THIS DRAWING IS A CONTROLLED DOCUMENT.		DNW AL FRANTUM 18 OCT 04	 Tyco Electronics Corporation Harrisburg, Pa 17105-3608
		CHK AL FRANTUM 18 OCT 04	
DIMENSIONS:	TOLERANCES UNLESS OTHERWISE SPECIFIED:	APVD	NAME
mm	0 PLC ± -	PRODUCT SPEC	CONNECTOR ASSEMBLY, STD EDGE II,
	1 PLC ± -	APPLICATION SPEC	2.54 [.100] x 3.81 [.150],
	2 PLC ± ± 0.13[.005]		RIGHT ANGLE
	3 PLC ± -	SIZE	A1
	4 PLC ± -	CAGE CODE	00779
MATERIAL SEE SHEET 1	FINISH SEE SHEET 1	WEIGHT	DRAWING NO C=5532600
		CUSTOMER DRAWING	RESTRICTED TO
		SCALE 5:1	SHEET 2 OF 2

Mouser Electronics

Authorized Distributor

Click to View Pricing, Inventory, Delivery & Lifecycle Information:

[TE Connectivity:](#)

[5532600-4](#)