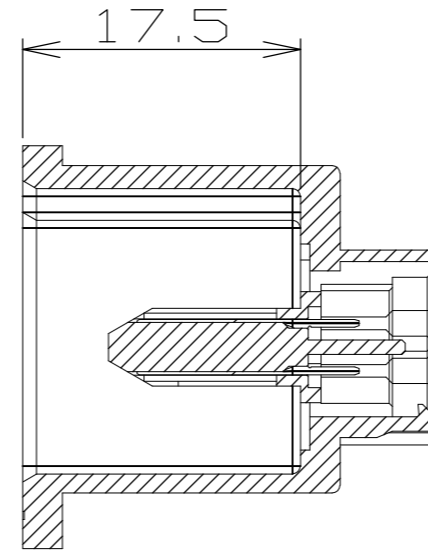
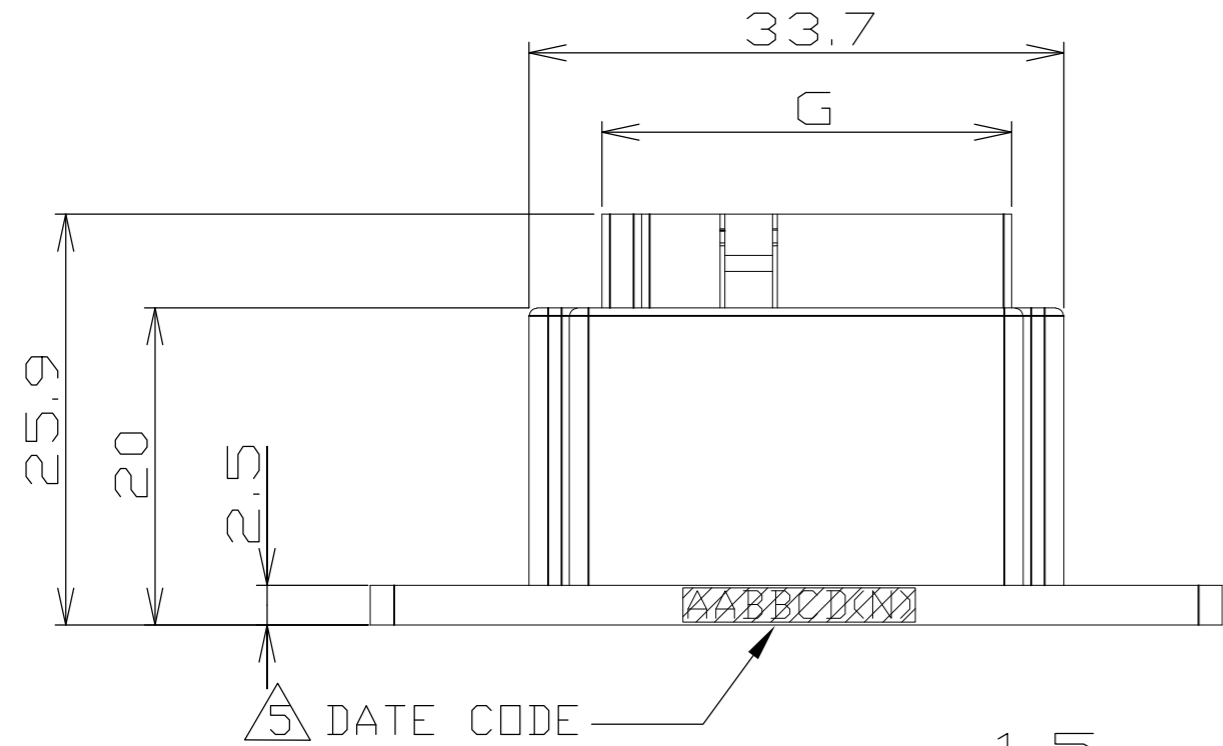
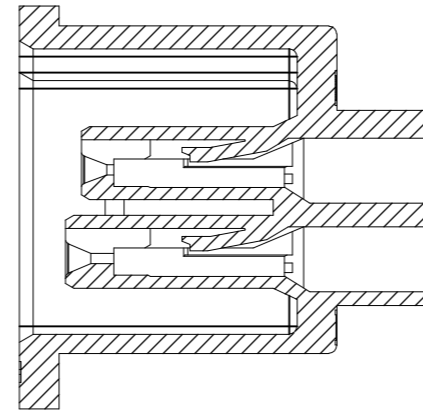
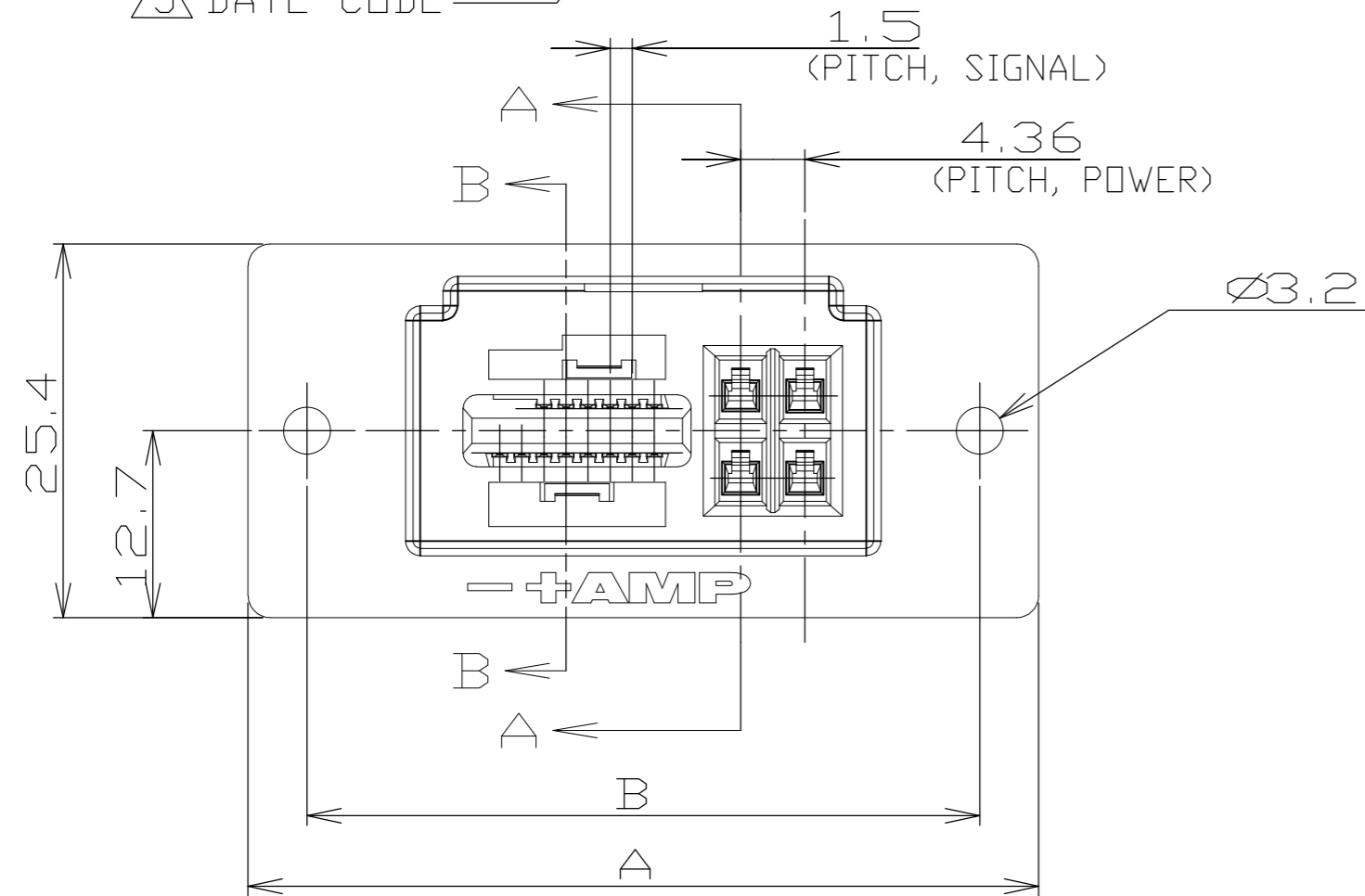


THIS DRAWING IS UNPUBLISHED. RELEASED FOR PUBLICATION
 © COPYRIGHT BY TYCO ELECTRONICS CORPORATION. ALL RIGHTS RESERVED.

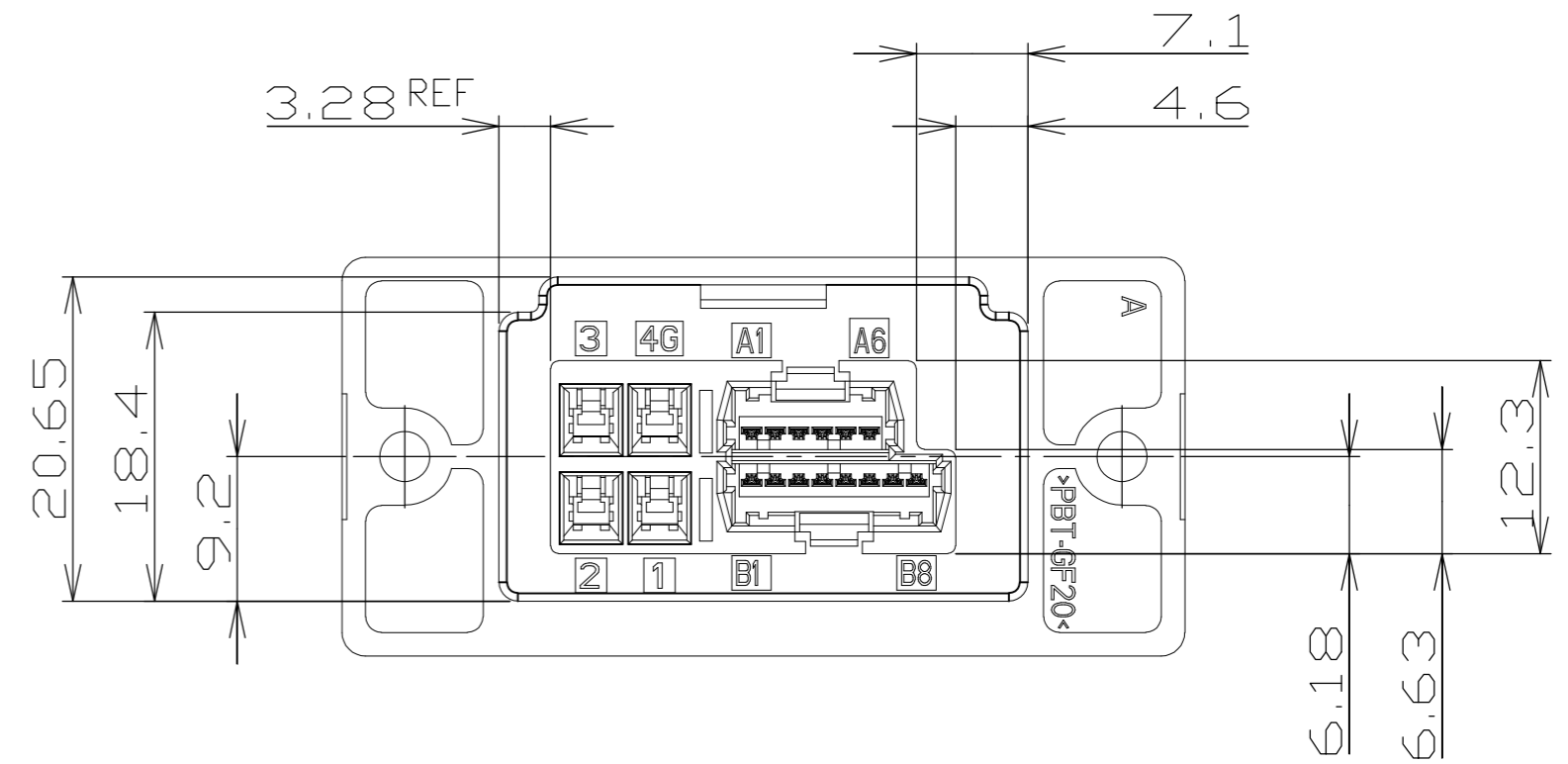
LOC		DIST		REVISIONS			
P	LTR	DESCRIPTION	DATE	DWN	APVD		
B1		REVISED ECR-07-028230	26NOV07	A,L	S,Y		



SECT B-B



SECT A-A



NOTES:
 ① USE WITH: MT REC CONN P/N: X-353293-X
 CRIMP HSG P/N: X-353908-X
 CRIMP CONT P/N: 353907-1
 353918-1(L/P)

② USE WITH POWER CONTACT P/N: 1123907-1 (NOT ASSEMBLED WHEN SHIPPED)

③ MATERIAL:
 HOUSING: GLASS FILLED THERMOPLASTIC, UL94V-0, GRAY
 SIGNAL CONTACT: BRASS
 FINISH (SIGNAL CONTACT):
 NICKEL UNDERPLATE ALL OVER
 LATTICE MATING AREA: GOLD PLATE
 MINI CT MATING AREA: MATTE TIN PLATE

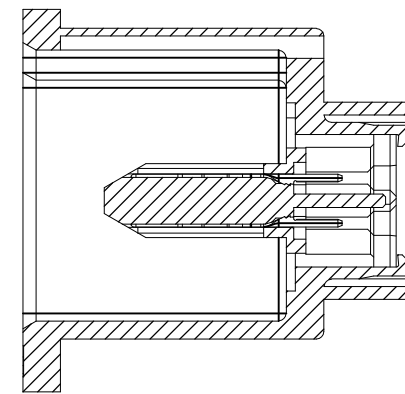
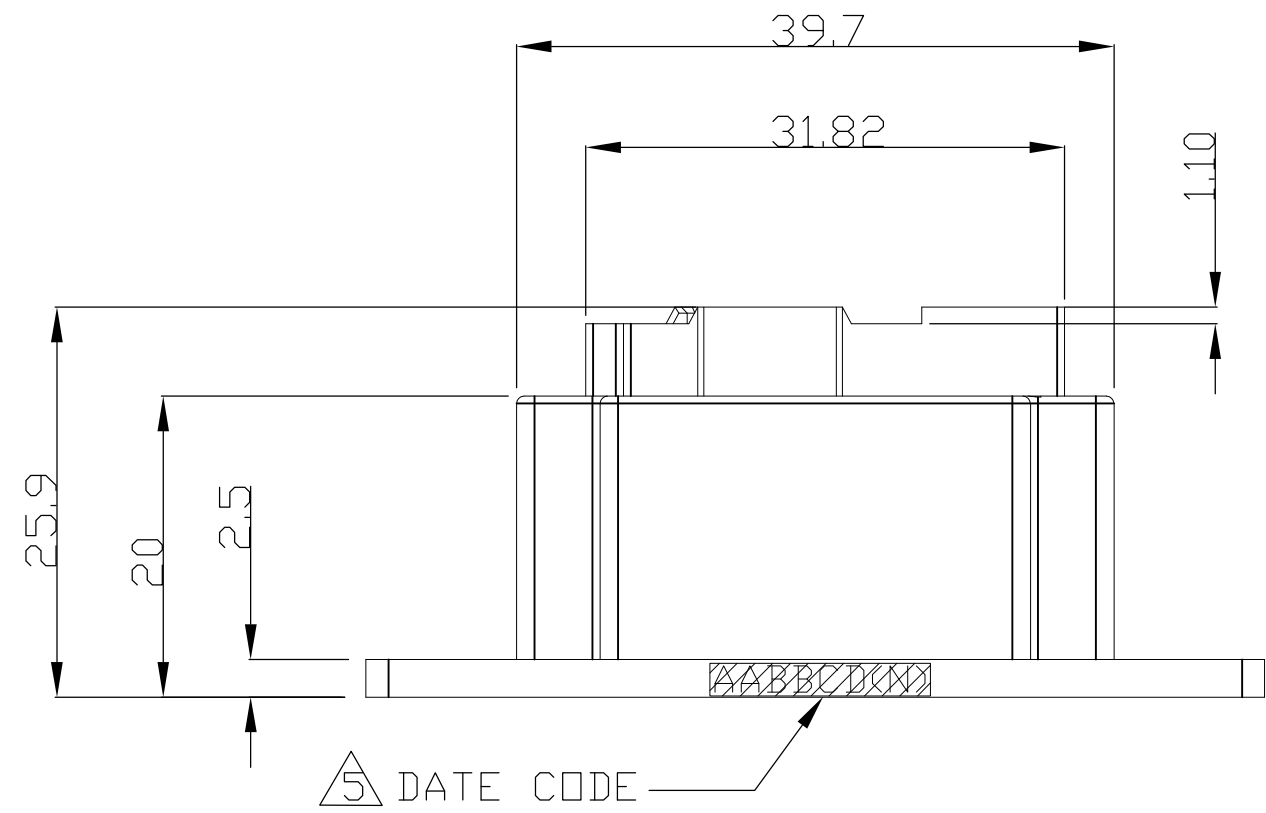
④ LOCATION OF DATE CODE: AABBCD(N)
 (AA: YEAR, BB: WEEK, C: DAY OF WEEK, D: DAYTIME, N: NIGHT)

11.3	25.82	3.75	4.25	34.7	33.7	45.7	53.7	C	14(6+8)	4	5-292246-4
11.3	25.82	3.75	4.25	34.7	33.7	45.7	53.7	B	14(6+8)	4	3-292246-4
11.3	25.82	2.05	2.55	34.7	33.7	45.7	53.7	A	14(6+8)	4	1-292246-4
WEIGHT (g)	G	F	E	D	C	B	A	KEY TYPE	SIGNAL	POWER	PART NUMBER

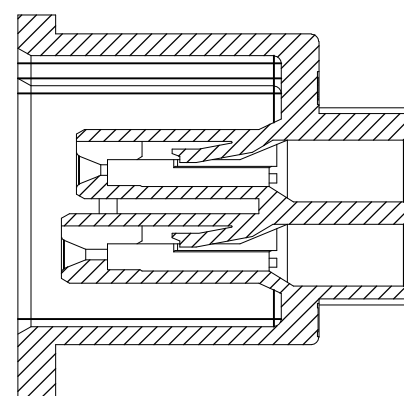
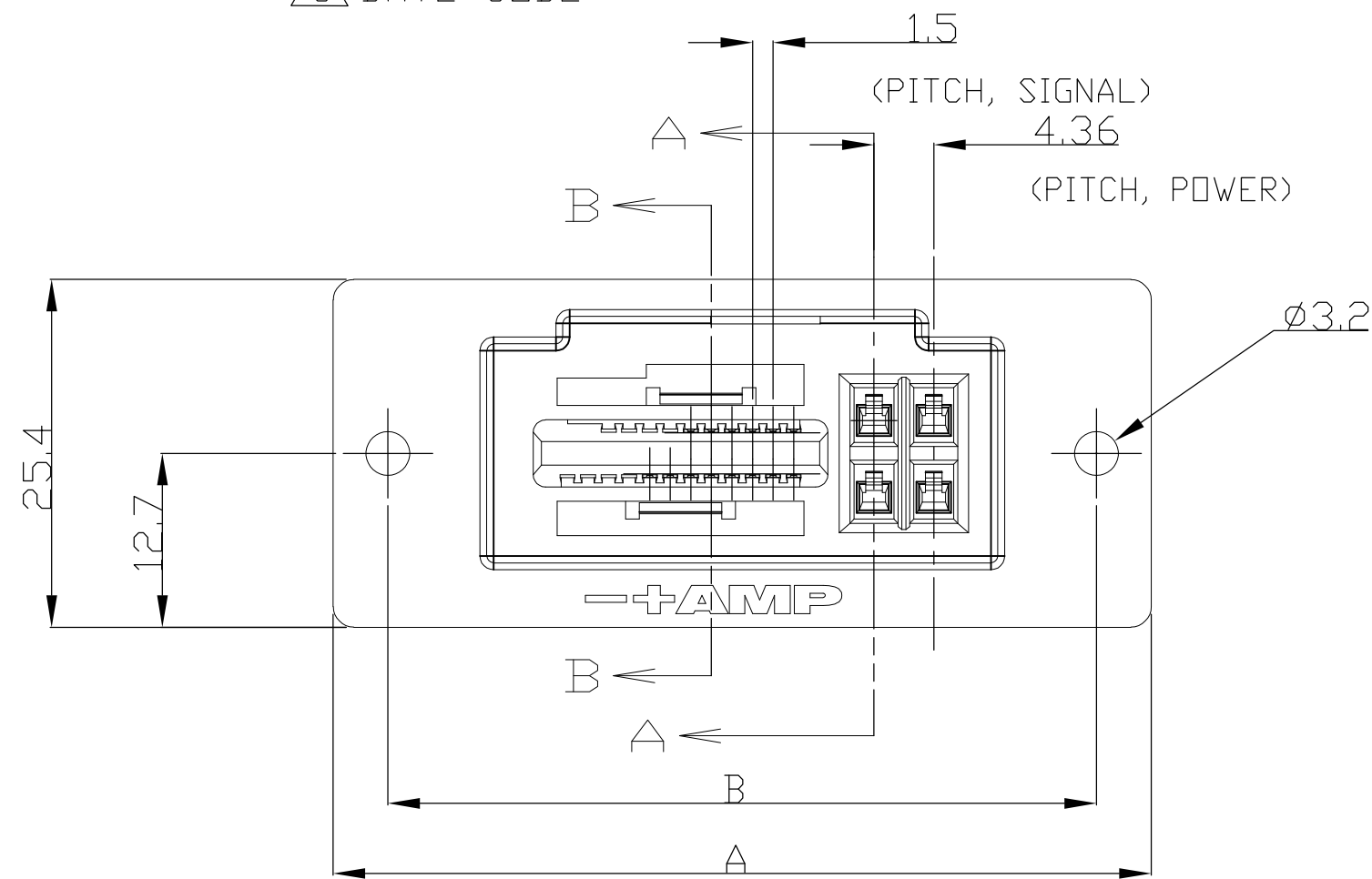
THIS DRAWING IS A CONTROLLED DOCUMENT.		DWN J. JIANG 05FEB03	Tyco Electronics Corporation Shanghai, PRC 200233	
DIMENSIONS: mm	TOLERANCES UNLESS OTHERWISE SPECIFIED: 0 PLC ± - 1 PLC ± - 2 PLC ± - 3 PLC ± - 4 PLC ± - ANGLES ± -	CHK S. Y 05FEB03	NAME RECEPTACLE ASSEMBLY FOR AMP 1.5 PITCH MINI CT HYBRID LATTICE CONNECTOR	
MATERIAL SEE NOTE	FINISH SEE NOTE	APVD T. SASAKI 05FEB03	PRODUCT SPEC 108-60028	RESTRICTED TO -
		APPLICATION SPEC 114-5256	SIZE A2	CAGE CODE 00779
		WEIGHT -	DRAWING NO C=292246	SCALE NTS
		CUSTOMER DRAWING	SHEET 1 of 3	REV B1

THIS DRAWING IS UNPUBLISHED. RELEASED FOR PUBLICATION
 © COPYRIGHT BY TYCO ELECTRONICS CORPORATION. ALL RIGHTS RESERVED.

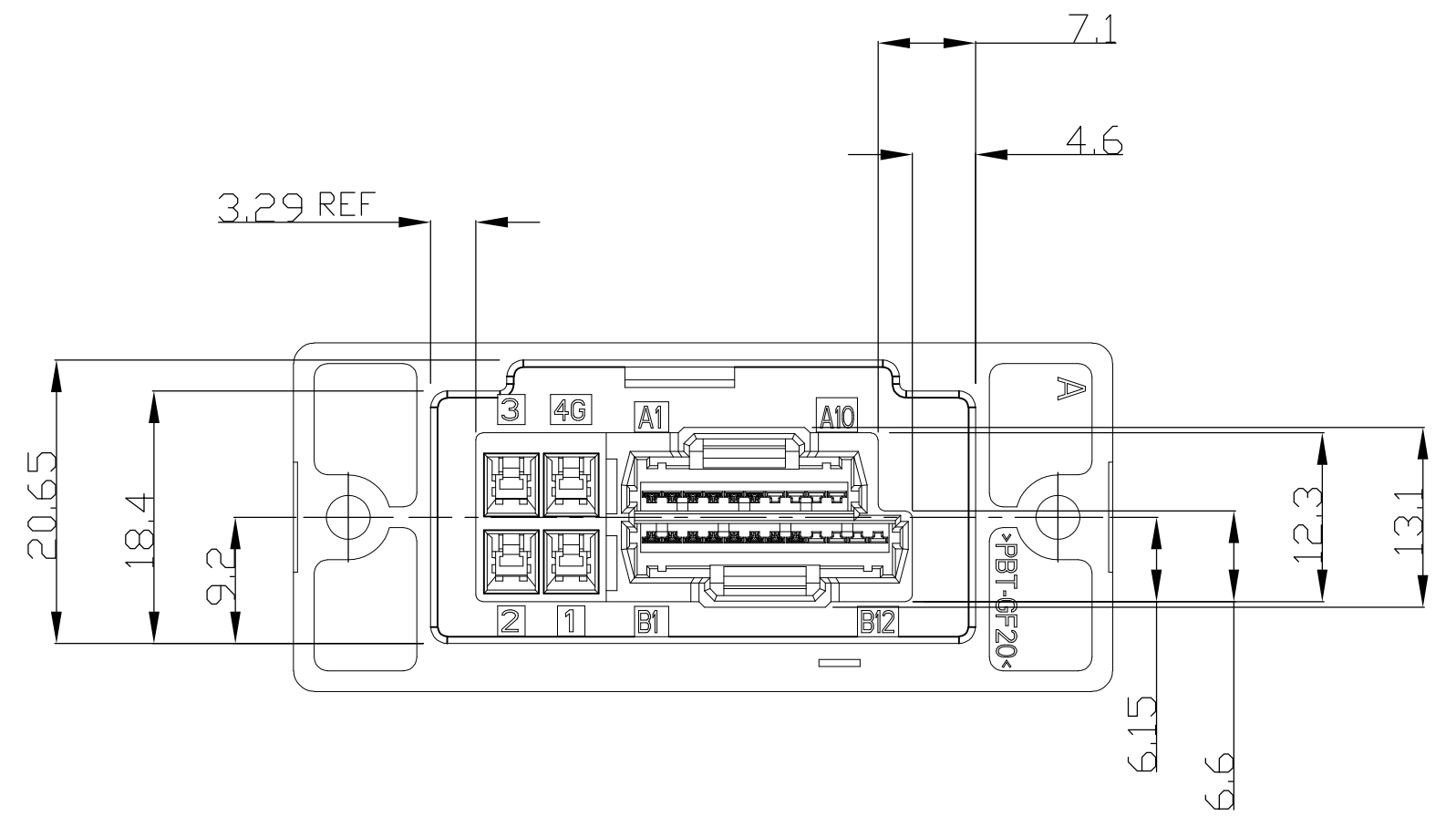
LOC		DIST		REVISIONS			
P	LTR	DESCRIPTION	DATE	DWN	APVD		
-	-	SEE SHEET 1	-	-	-	-	-



SECT B-B



SECT A-A



NOTES:

- ① USE WITH MT REC CONN P/N: X-353293-X
 CRIMP HSG P/N: X-353908-X
 CRIMP CNT P/N: 353907-1
 353918-1(L/P)
- ② USE WITH POWER CONTACT P/N: 1123907-1 (NOT ASSEMBLED WHEN SHIPPED)
- ③ MATERIAL:
 HOUSING: GLASS FILLED THERMOPLASTIC, UL94V-0, GRAY
 SIGNAL CONTACT: BRASS
- ④ FINISH (SIGNAL CONTACT):
 NICKEL UNDERPLATE ALL OVER
 LATTICE MATING AREA: GOLD PLATE
 MINI CT MATING AREA: MATTE TIN PLATE
- ⑤ LOCATION OF DATE CODE: AABBCD(N)
 (AA: YEAR, BB: WEEK, C: DAY OF WEEK, D: DAYTIME, N: NIGHT)

13.0	31.82	6.75	7.25	40.7	39.7	51.7	59.7	C	22(10+12)	4	6-292246-2
13.0	31.82	6.75	7.25	40.7	39.7	51.7	59.7	B	22(10+12)	4	4-292246-2
13.0	31.82	5.05	5.55	40.7	39.7	51.7	59.7	A	22(10+12)	4	2-292246-2
WEIGHT (g)	G	F	E	D	C	B	A	KEY TYPE	SIGNAL POSITION	POWER POSITION	PART NUMBER

THIS DRAWING IS A CONTROLLED DOCUMENT.

DIMENSIONS: mm	TOLERANCES UNLESS OTHERWISE SPECIFIED:	DWN	-
0 PLC	±	CHK	-
1 PLC	±	APVD	-
2 PLC	±	PRODUCT SPEC	-
3 PLC	±	APPLICATION SPEC	-
4 PLC	±	WEIGHT	-
ANGLES	±	CUSTOMER DRAWING	-
FINISH	±	SCALE	NTS

Tyco Electronics Tyco Electronics Corporation
Shanghai, PRC 200233

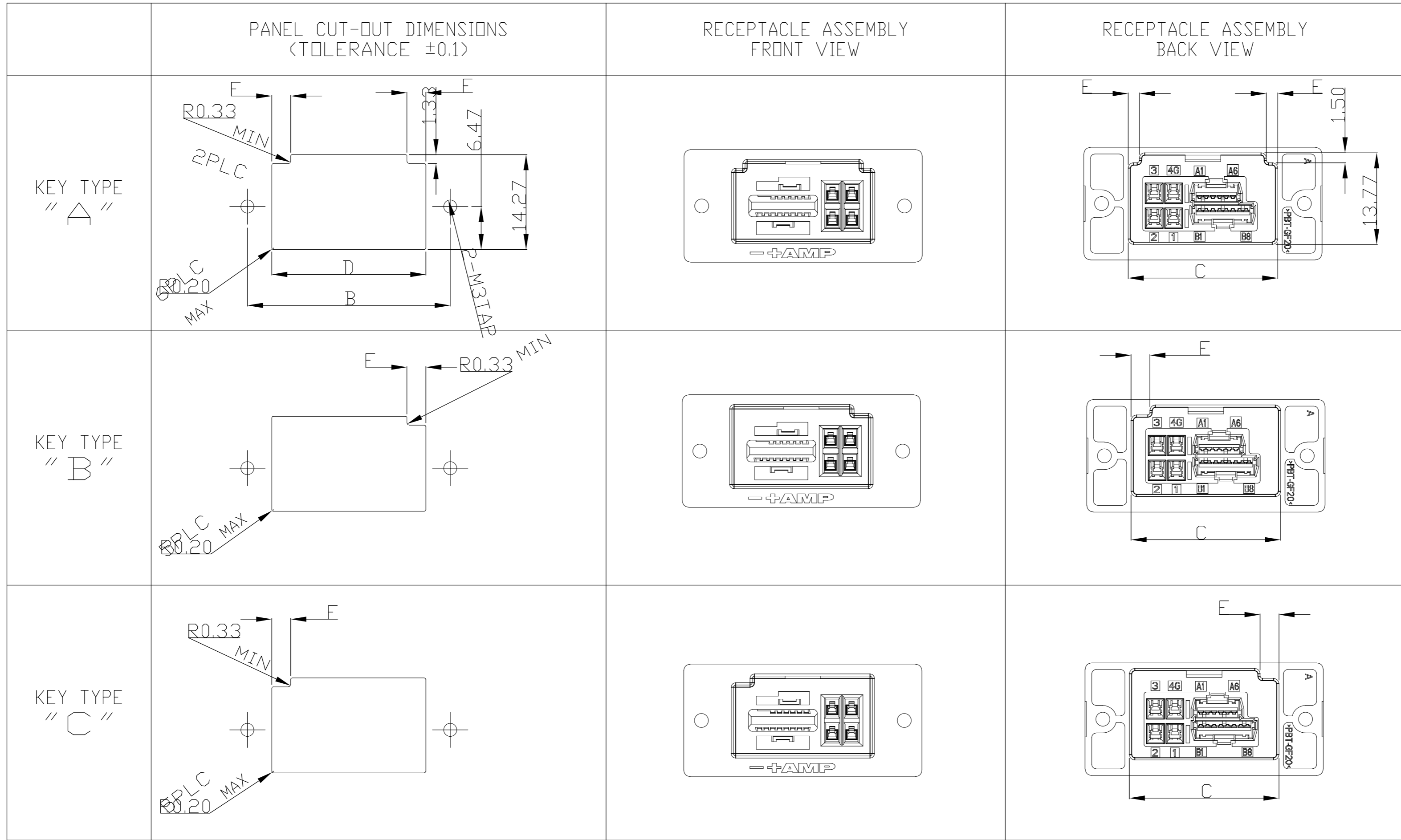
RECEPTACLE ASSEMBLY FOR AMP 1.5 PITCH MINI CT HYBRID LATTICE CONNECTOR

SIZE: A2 CAGE CODE: 00779 DRAWING NO: C=292246 RESTRICTED TO: -

SHEET 2 of 3 REV B1

THIS DRAWING IS UNPUBLISHED. RELEASED FOR PUBLICATION
 © COPYRIGHT BY TYCO ELECTRONICS CORPORATION. ALL RIGHTS RESERVED.

REVISIONS				DATE	DWN	APVD
P	LTR	DESCRIPTION				
-	-	SEE SHEET 1	-	-	-	-



THIS DRAWING IS A CONTROLLED DOCUMENT.		DWN	-	Tyco Electronics Corporation Shanghai ,PRC 200233	NAME RECEPTACLE ASSEMBLY FOR AMP 1.5 PITCH MINI CT HYBRID LATTICE CONNECTOR
DIMENSIONS:	TOLERANCES UNLESS OTHERWISE SPECIFIED:	CHK	-		
mm	0 PLC ± - 1 PLC ± - 2 PLC ± - 3 PLC ± - 4 PLC ± - ANGLES ± -	APVD	-		
		PRODUCT SPEC	-		
MATERIAL	FINISH	WEIGHT	-	SIZE	A2
CUSTOMER DRAWING		SCALE NTS		CAGE CODE	00779
				DRAWING NO	C=292246
				RESTRICTED TO	-
				SHEET	3 OF 3
				REV	B1

Mouser Electronics

Authorized Distributor

Click to View Pricing, Inventory, Delivery & Lifecycle Information:

[TE Connectivity:](#)

[4-292246-2](#)