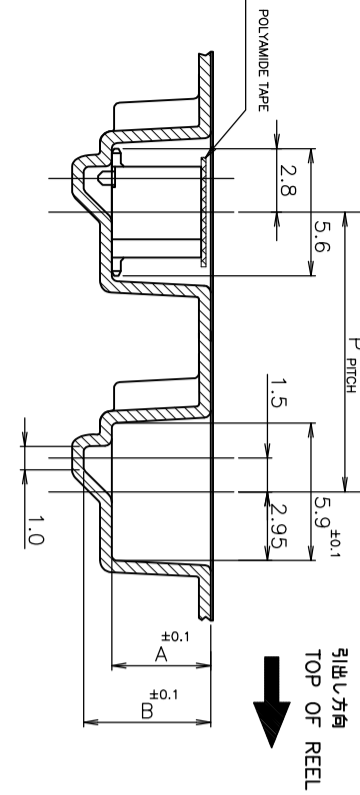
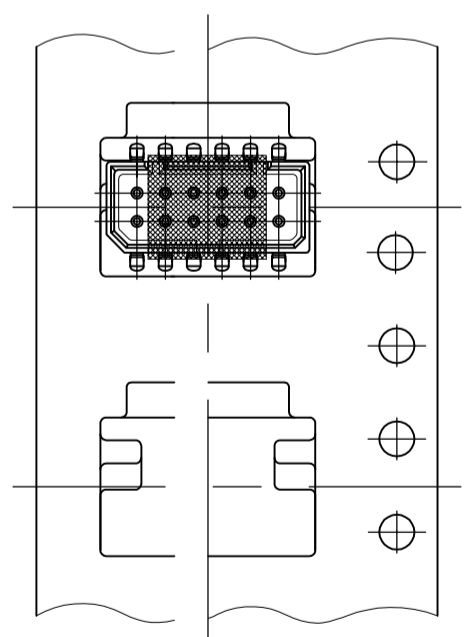
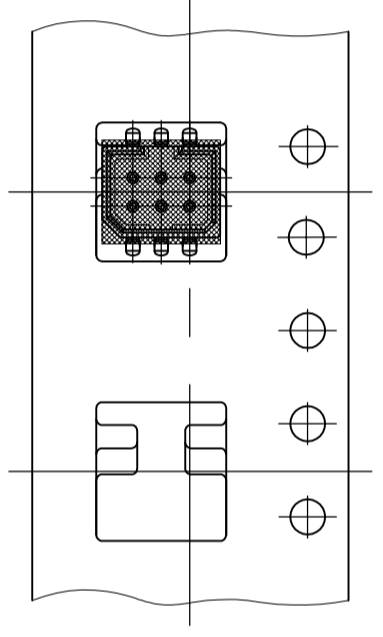
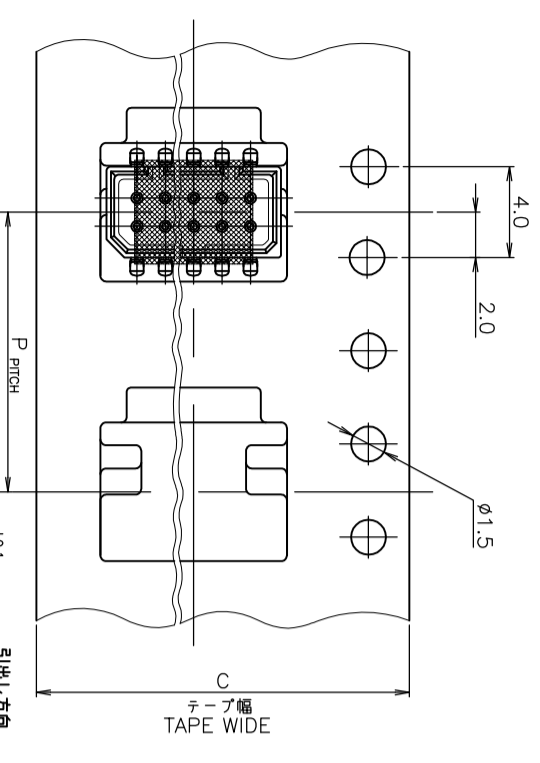
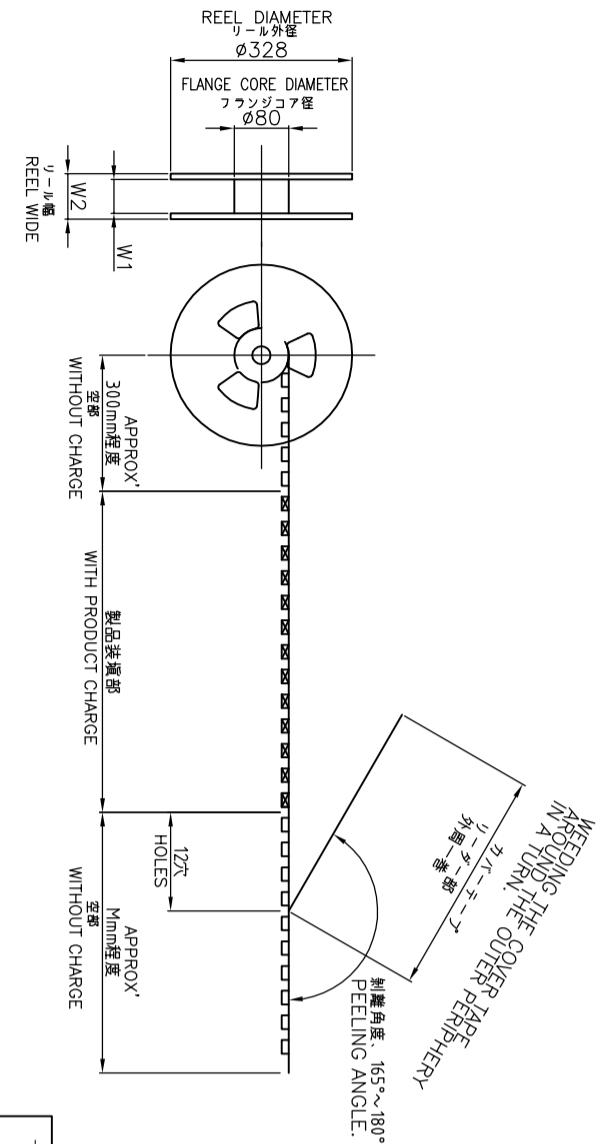


P	LTR	DESCRIPTION	DATE	DMN	APVD
-	-	SEE SHEET 1	-	-	-



EXCEPT 6 Pos. AND 12 Pos.



WITH POLYAMIDE TAPE

④	D2	D1	DIMENSIONS			M	P	B	A	C	QTY/ REEL	Pos	POLYAMIDE P/N	COVER TAPE P/N	EMBOSS TAPE P/N	CONNECTOR P/N	TAPING P/N
			W2	W1	⑤												
330	100	30.4	24.4	300	12	6.95	5.75	24	700	14	1827186-4	1533651-1	1-174821-4	176890-4			
330	80	29	26	300	12	7.45	6.25	24	750	16	1827186-4	4-720998-5	1-912054-8	7-174821-6	9-176890-6		
330	100	22.4	16.4	300	12	7.45	6.25	24	700	12	1827186-3	4-720998-5	7-912061-6	7-174821-2	9-176890-2		
330	80	29	26	300	12	5.45	4.25	24	1000	24	1827186-4	4-720998-5	3-912051-4	5-174821-4	8-176890-4		
330	80	29	26	300	12	5.45	4.25	24	1000	22	1827186-4	4-720998-5	912055-3	5-174821-2	8-176890-2		
330	80	29	26	300	12	5.45	4.25	24	1000	20	1827186-4	4-720998-5	3-912051-2	5-174821-0	8-176890-0		
330	80	29	26	300	12	5.45	4.25	24	1000	18	1827186-4	4-720998-5	912051-8	4-174821-8	6-176890-8		
330	80	29	26	300	12	5.45	4.25	24	1000	16	1827186-4	4-720998-5	912055-2	4-174821-6	6-176890-6		
330	100	22.4	16.4	300	12	5.45	4.25	24	1000	14	1827186-4	4-720998-4	912051-4	4-174821-4	6-176890-4		
330	80	21	18	300	12	5.45	4.25	16	1000	12	1827186-4	4-720998-4	912051-2	4-174821-2	6-176890-2		
330	80	21	18	300	12	5.45	4.25	16	1000	10	1827186-4	4-720998-4	912051-1	4-174821-0	6-176890-0		
330	80	21	18	300	12	5.45	4.25	16	1000	6	1827186-4	4-720998-4	912055-1	3-174821-6	2-176890-6		
330	80	29	26	300	12	6.95	5.75	24	750	16	1827186-4	4-720998-5	912055-4	1-174821-6	176890-6		

THIS DRAWING IS A CONTROLLED DOCUMENT.

DMN S.KANEKI 22JUN90
 CHK J.TANIGAWA 22JUN90
 APVD S.KUBOBUCHI 22JUN90

NAME **STE** TE Connectivity
 1.25 FP CONNECTOR (B-TO-B) ON TAPING (EMBOSS)
 DOUBLE ROW POST HDR ASS'Y SMT TYPE

DIMENSIONS: mm
 TOLERANCES UNLESS OTHERWISE SPECIFIED:

PRODUCT SPEC
 APPLICATION SPEC

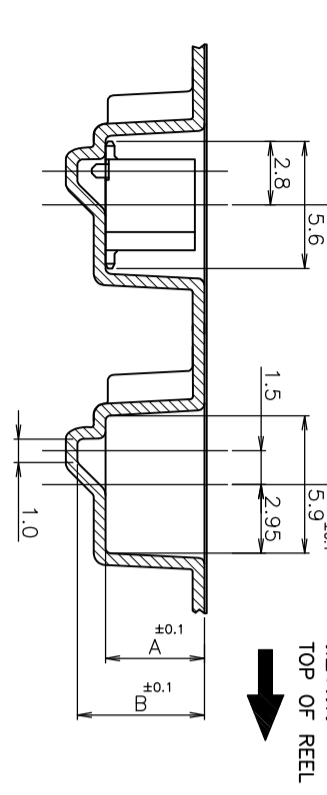
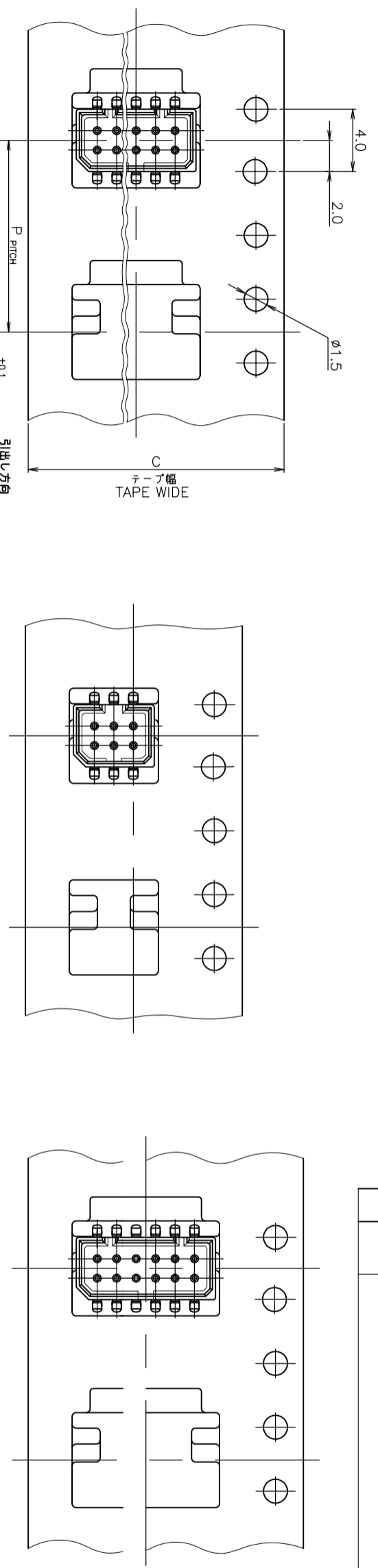
SIZE A3
 CAGE CODE 00779
 DRAWING NO. 176890

0 PLC
 1 PLC
 2 PLC
 3 PLC
 4 PLC

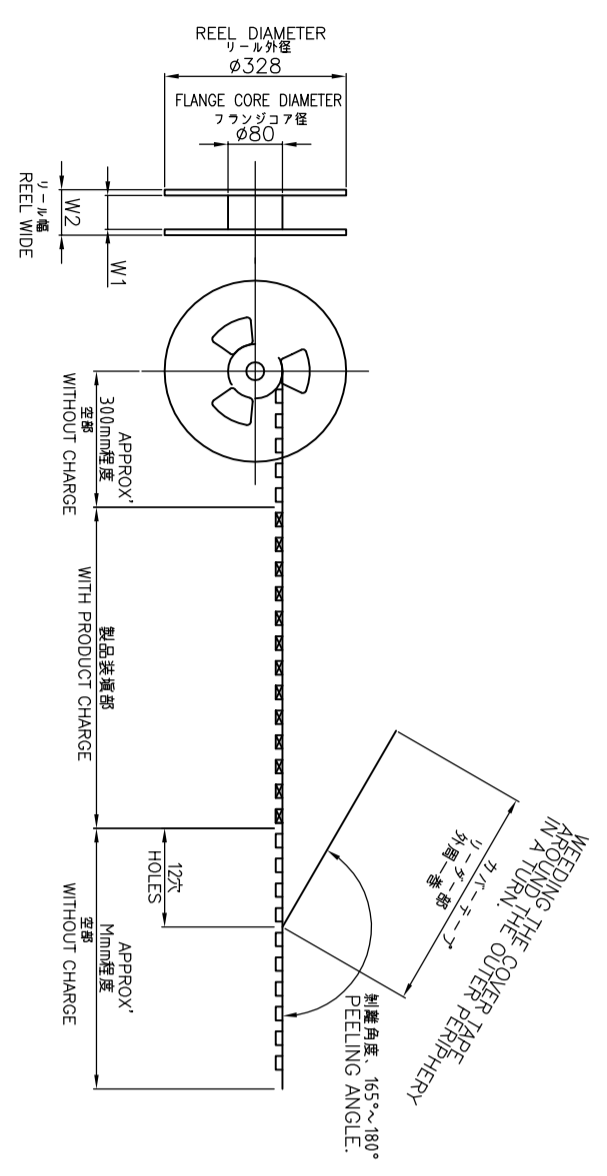
WEIGHT
 CUSTOMER DRAWING

RESTRICTED TO

REVISIONS		DATE	DMN	APVD
P	LTR			
H	EGR-17-011273	24AUG2017	RL	SY



EXCEPT 6 Pos. AND 12 Pos.



D 2	D 1	W 2	W 1	M	① P	B	A	C	QTY/ REEL	COVER TAPE P/N	EMBOSS TAPE P/N	CONNECTOR P/N	TAPING P/N
330	80	29	26	300	12	7.45	6.25	24	750	4-720998-5	1-912054-8	7-174821-6	7-176890-6
330	100	22.4	16.4	300	12	7.45	6.25	24	750	4-720998-5	7-912061-6	7-174821-2	7-176890-2
330	80	29	26	300	12	5.45	4.25	24	1000	4-720998-5	3-912051-4	5-174821-4	5-176890-4
330	80	29	26	300	12	5.45	4.25	24	1000	4-720998-5	912055-3	5-174821-2	5-176890-2
330	80	29	26	300	12	5.45	4.25	24	1000	4-720998-5	3-912051-2	5-174821-0	5-176890-0
330	80	29	26	300	12	5.45	4.25	24	1000	4-720998-5	912051-8	4-174821-8	4-176890-8
330	80	29	26	300	12	5.45	4.25	24	1000	4-720998-5	912055-2	4-174821-6	4-176890-6
330	100	22.4	16.4	300	12	5.45	4.25	16	1000	4-720998-4	912051-4	4-174821-4	4-176890-4
330	80	21	18	300	12	5.45	4.25	16	1000	4-720998-4	912051-2	4-174821-2	4-176890-2
330	80	21	18	300	12	5.45	4.25	16	1000	4-720998-4	912051-1	4-174821-0	4-176890-0
330	80	21	18	300	12	5.45	4.25	16	1000	4-720998-4	912055-1	3-174821-6	3-176890-6
330	80	29	26	300	12	6.95	5.75	24	750	4-720998-5	912055-4	1-174821-6	1-176890-6

注記
1. 包装規格 : 107-5123-5
NOTE
1. PACKAGING SEPC: 107-5123-5

THIS DRAWING IS A CONTROLLED DOCUMENT.

DIMENSIONS: mm

TOLERANCES UNLESS OTHERWISE SPECIFIED:

φ PLG ±0.2
1 PLG ±0.25
2 PLG ±0.25
3 PLG ±0.3
4 PLG ±0.3
ANGLES ±

FINISH

MATERIAL

DMN S.KANEKI 22JUN90
CHK J.TANIGAWA 22JUN90
APVD S.KUBOBUCHI 22JUN90

PRODUCT SPEC 108-5246

APPLICATION SPEC

WEIGHT 0

CUSTOMER DRAWING

NAME 1.25 FP CONNECTOR (B-TO-B) ON TAPING (EMBOSS)
DOUBLE ROW POST HDR ASS'Y SMT TYPE

SIZE A3

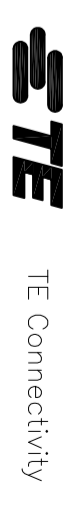
CAGE CODE 00779

DRAWING NO. 176890

SCALE

SHEET 1 OF 2

REV H



Mouser Electronics

Authorized Distributor

Click to View Pricing, Inventory, Delivery & Lifecycle Information:

[TE Connectivity:](#)

[4-176890-4](#)