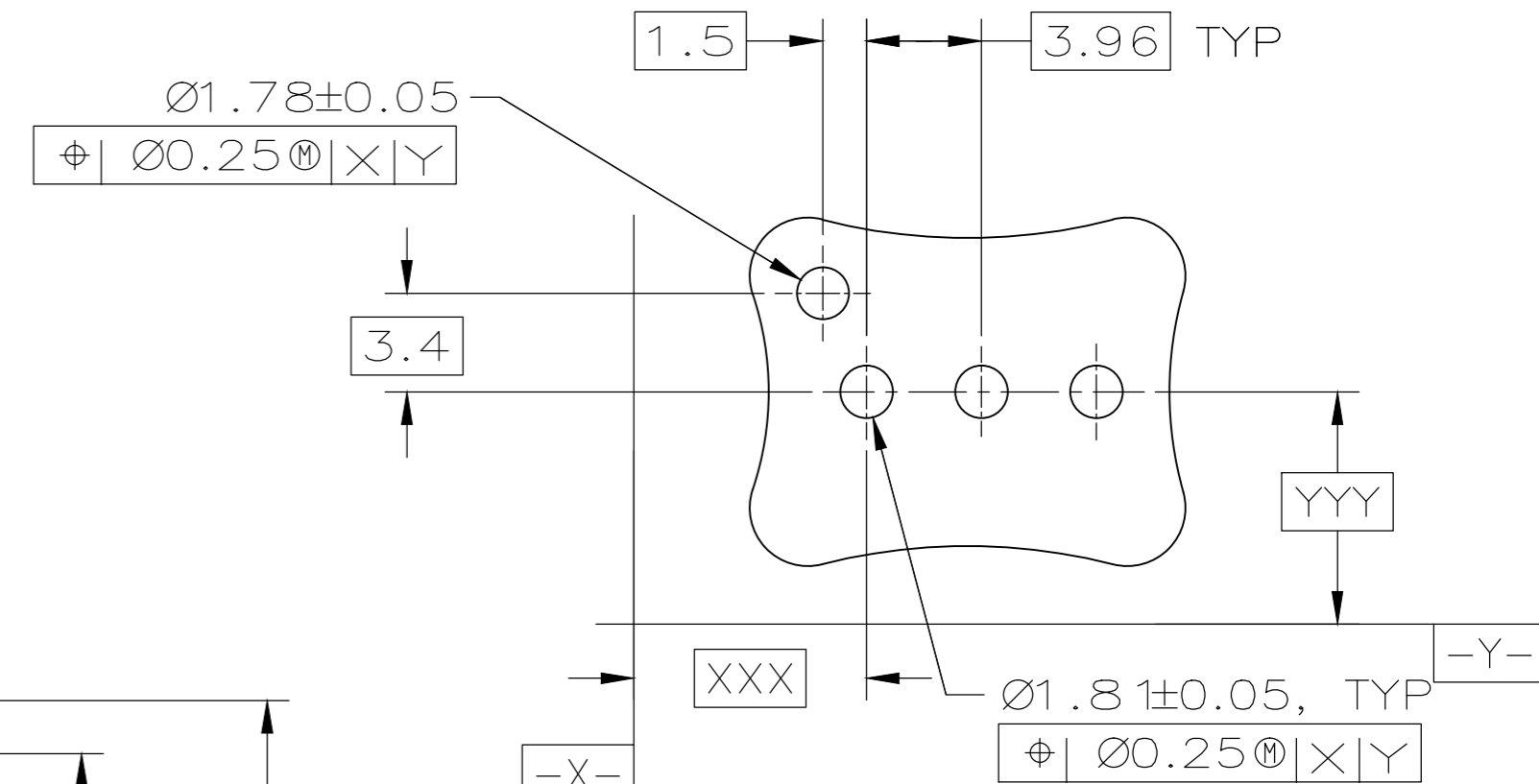
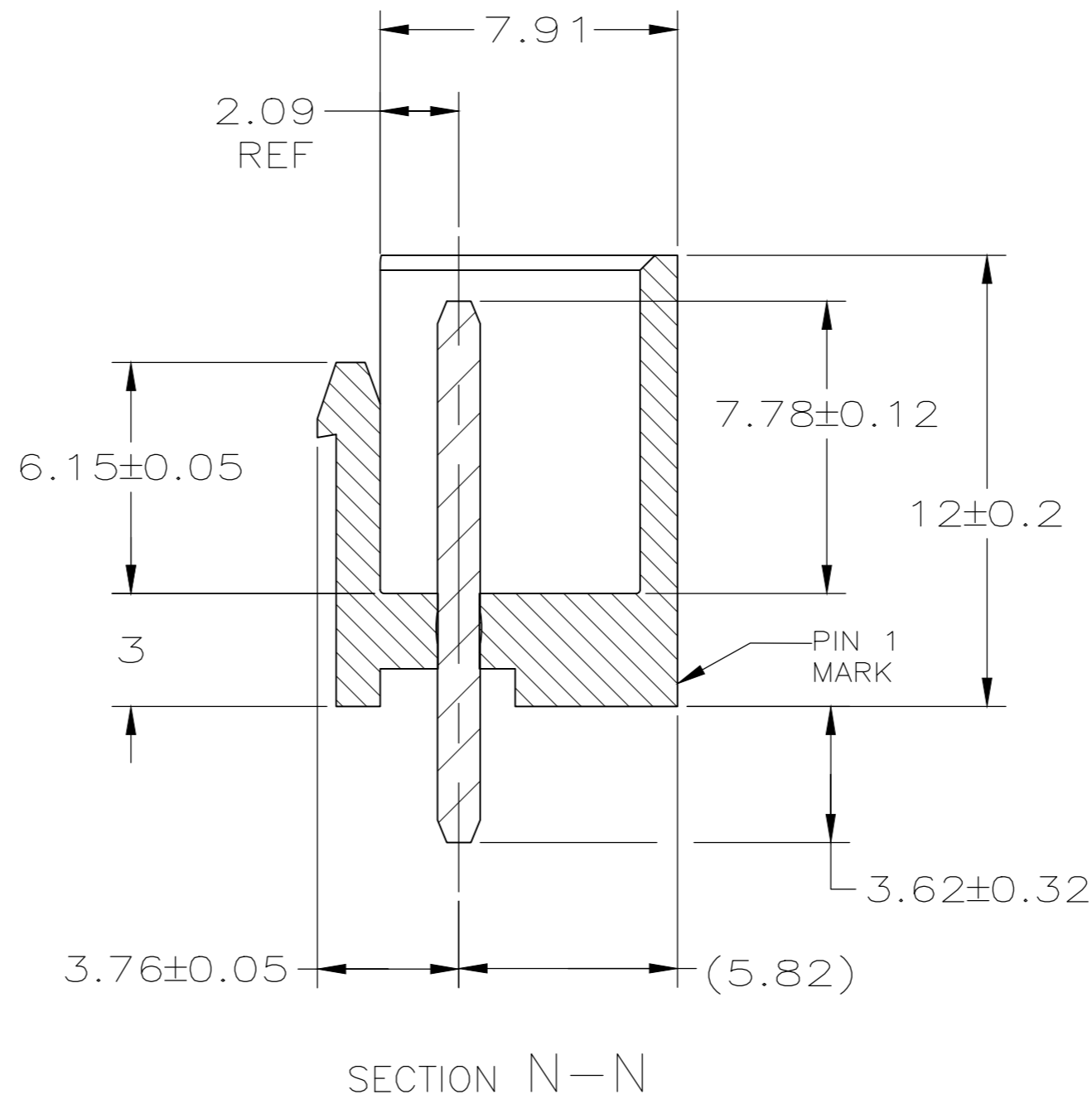
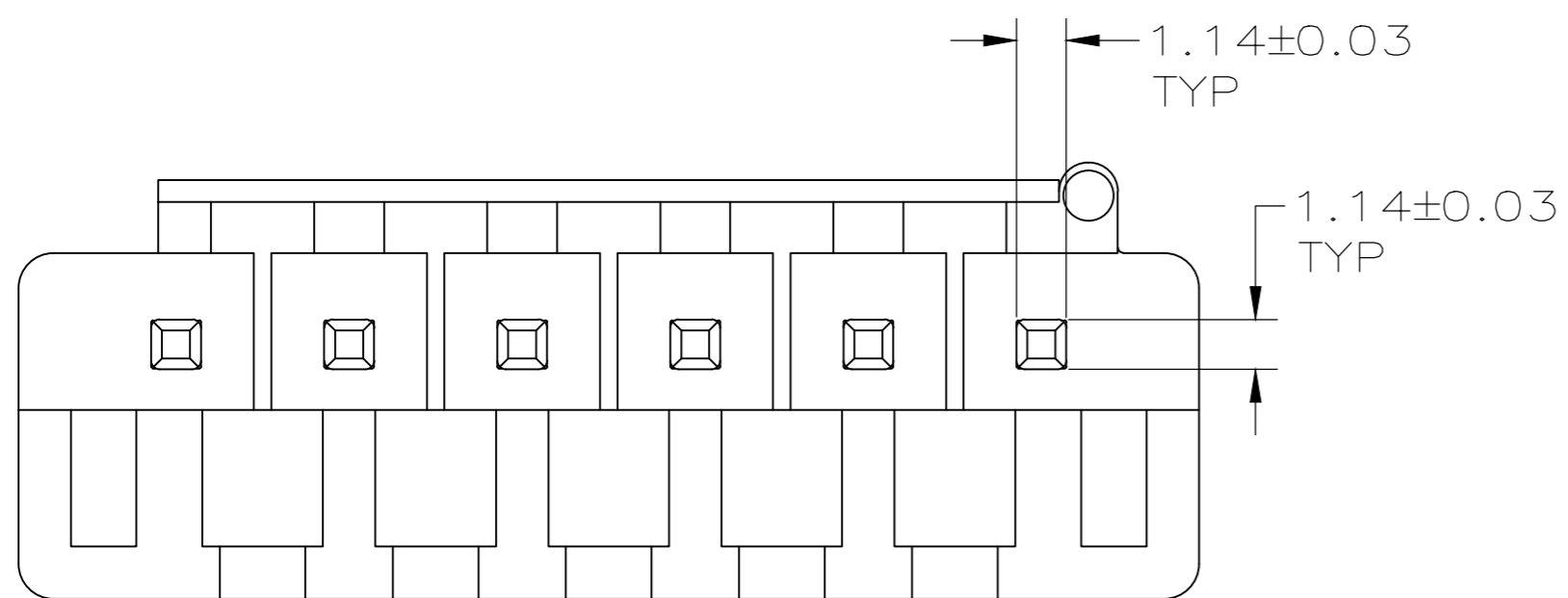
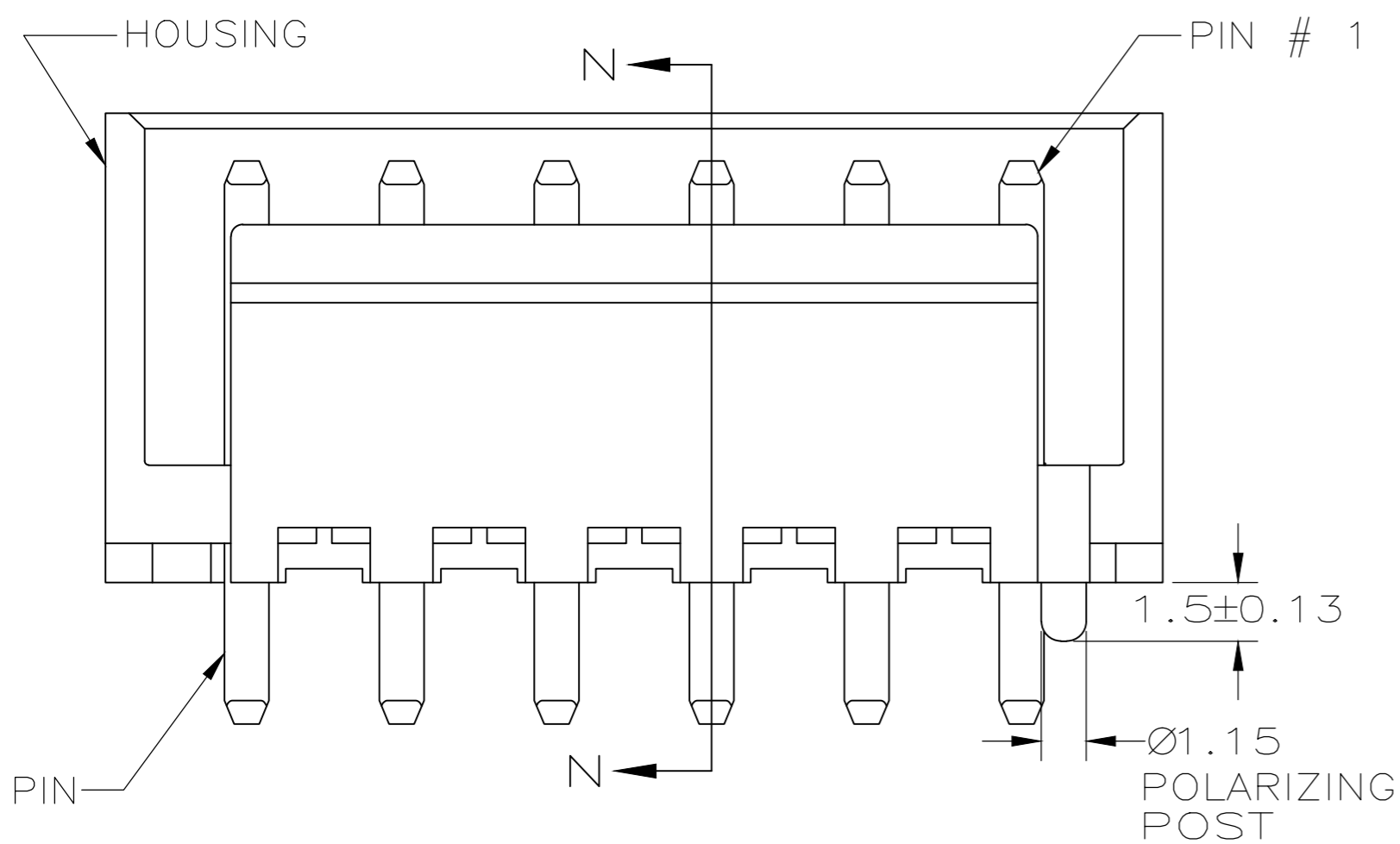
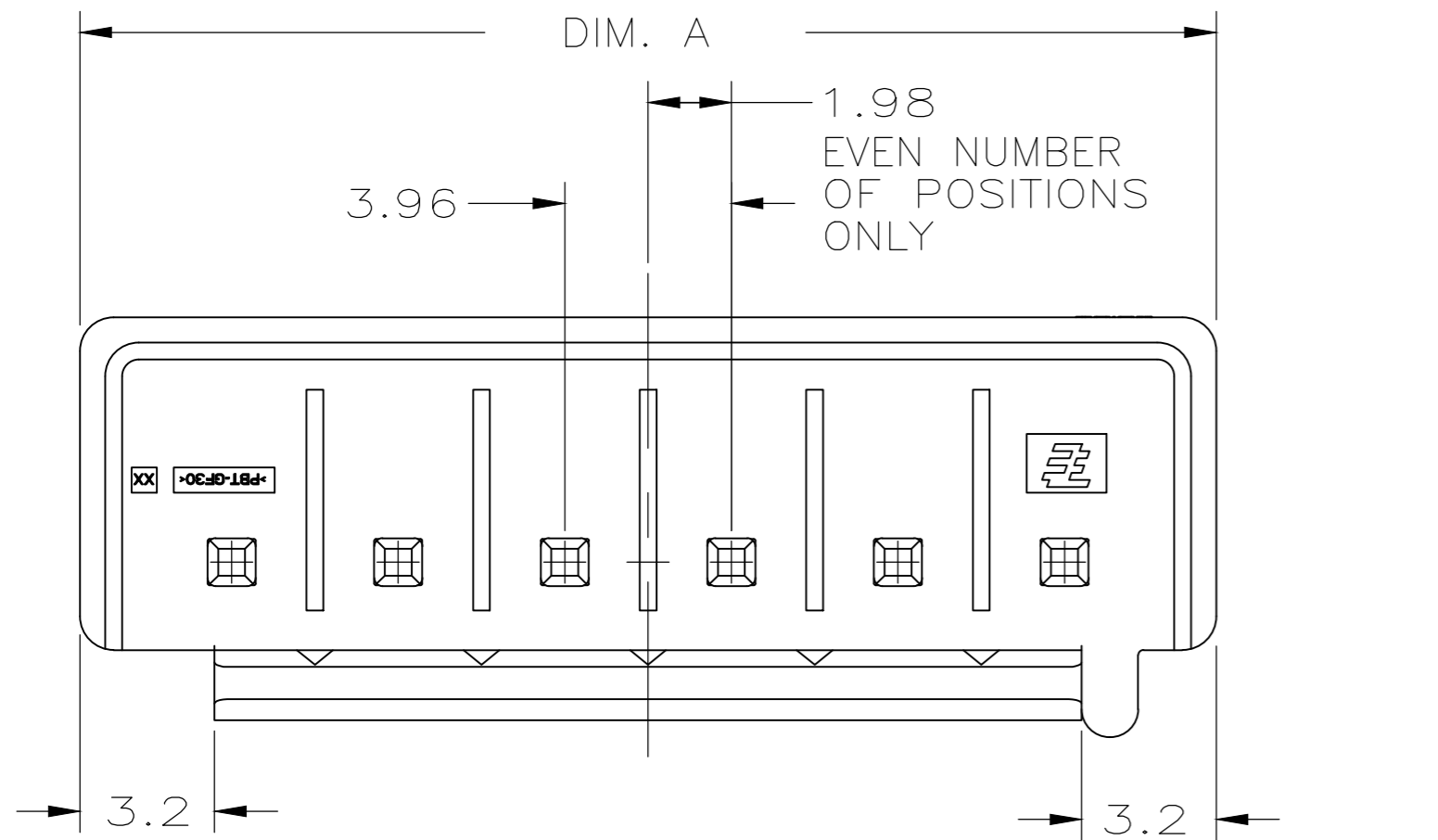


REVISIONS				
P	LTR	DESCRIPTION	DATE	DWN APVD
B2		REVISED PER ECR-17-005823	15MAY2017	O.C D.Z



RECOMMENDED PCB LAYOUT
 SCALE 4:1

- 1 MATERIAL: HOUSING; NYLON GLASS FILLED UL94V-2
 PIN: BRASS
- 2 FINISH: PIN, 1.0µm MIN TIN OVER 0.8µm MIN NICKEL.

- 3 PARTS TESTED TO IEC 60695-2-11 AND IS COMPLAINT TO IEC 60335-1
- 4 HOUSING MATERIAL MEETS MINIMUM GLOW WIRE FLAMMABILITY INDEX OF 850°C PER IEC 60695-2-12 AND MINIMUM GLOW WIRE IGNITION TEMPERATURE OF 775°C PER IEC 60695-2-13.
- 5 SKETCH SHOWS NO PIN MISSING.

34.93	7	8	1-1744427-8
23.05	2	5	1-1744427-5
50.77	-	12	1-1744427-2
46.81	-	11	1-1744427-1
42.85	-	10	1-1744427-0
38.89	-	9	1744427-9
34.93	-	8	1744427-8
30.97	-	7	1744427-7
27.01	-	6	1744427-6
23.05	-	5	1744427-5
19.09	-	4	1744427-4
15.13	-	3	1744427-3
11.17	-	2	1744427-2
DIM. A	OMIT PIN#	POS.	PART NO.

THIS DRAWING IS A CONTROLLED DOCUMENT.		DWN JR RUTH 09JAN12	TE Connectivity	
DIMENSIONS: mm		CHK SAM MACE 09JAN12	NAME SHROUDED HEADER ASSEMBLY, 3.96mm PITCH, ECONOMY POWER (EP)	
TOLERANCES UNLESS OTHERWISE SPECIFIED: 0 PLC ± - 1 PLC ± - 2 PLC ± 0.10 3 PLC ± - 4 PLC ± - ANGLES ± -		APVD SAM MACE 09JAN12	DRAWING NO A2 00779 C=1744427	
MATERIAL 1	FINISH 2	APPLICATION SPEC -	RESTRICTED TO -	SCALE 6:1
CUSTOMER DRAWING		WEIGHT	SHEET 1 of 1	REV B2

Mouser Electronics

Authorized Distributor

Click to View Pricing, Inventory, Delivery & Lifecycle Information:

[TE Connectivity:](#)

[1744427-3](#)