

## DC POWER CONNECTORS: KLDPX Series

### Panel Mount DC Power Jack

#### Product Features

- 2.0mm and 2.5mm
- Panel Mount
- Solder Eyelets
- Built in DC On/Off Switch
- Portable Electronic Devices
- CSA/NRTL Certified No. LR78160
- UL File No. E140125

#### Performance Specifications

##### Materials and Finish

**Plastic Housing** : PBT Thermoplastic, 30% Glass Filled,  
UL 94V-0 Rated, Black Color

**Center Pin**: Copper, Nickel Plated

**Contact #1**: Brass, Tin Plated

**Contact #2**: Brass, Tin Plated

**Contact #3**: Copper Alloy, Tin Plated

#### Electrical Characteristics

**Contact Resistance**

**Before Durability Test**

**Between Terminals**: 30 milliohms Max.

**Plug to Contacts**: 50 milliohms Max.

**After Durability Test**

**Between Terminals**: 60 milliohms Max.

**Plug to Contacts**: 100 milliohms Max.

**Rated Voltage**: 48V DC

**Rated Current**: 3.5 Amps

**Insulation Resistance**: 100 Megohms Min.

**Dielectric Withstanding Voltage**:

250V AC for 1 Minute

#### Mechanical Characteristics

**Durability Test**: 5000 Cycles

**Insertion Force**: 3.0kg Max.

**Extraction Force**: 0.3kg Min.

2D Drawing	IGES	STEP	3D PDF
Solder Profile	CofC RoHS Compliant	CofC REACH Compliant	UL Plastic File
Certificate of Origin	Check Stock	Request a Sample	Send Us An Email

Generated Part Number

Part Number Builder



#### Series

KLDPX-0207 - Panel Mount DC Power Jack

#### Diameter

A - 2.0mm Center Pin Diameter

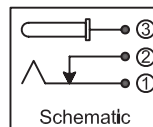
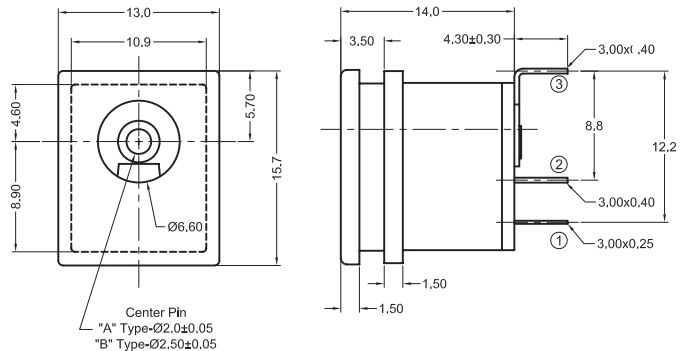
B - 2.5mm Center Pin Diameter

Contact Kycon For Other Options

#### KLDPX Series

Dimensions in mm

#### KLDPX-0207-x



# Mouser Electronics

Authorized Distributor

Click to View Pricing, Inventory, Delivery & Lifecycle Information:

[Kycon:](#)

[KLDPX-0207-A](#) [KLDPX-0207-B](#)