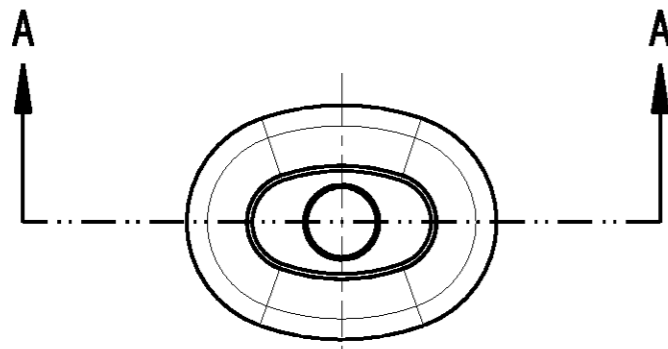
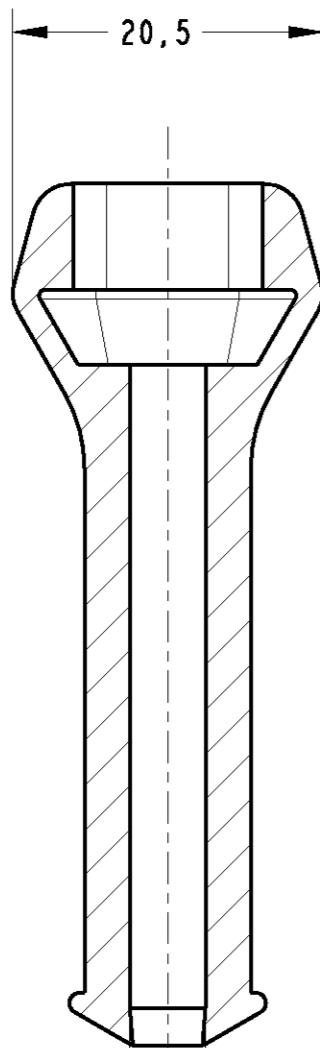


THIS DRAWING IS UNPUBLISHED. RELEASED FOR PUBLICATION
 © COPYRIGHT BY ALL RIGHTS RESERVED.

LOC	DIST	REVISIONS			
P	LTR	DESCRIPTION	DATE	DWN	APVD
AP	-	B1	REVISED PER ECO-11-005139	19MAR11	RK HMR



20,5



Ø 4,6
 Ø 5,0

SECTION A-A

① - ELASTÔMERO SAE J200, 2BC 414, A14, B14, C12, E014, F17, Z1
 Z1=RESISTÊNCIA RASGO, ASTM D624 - 20kg/cm MIN.

② - ELASTÔMERO SAE J200, 2BC 514, A14, B14, C12, E014, F17, Z1
 Z1=RESISTÊNCIA RASGO, ASTM D624 - 20kg/cm MIN.

① -ELASTOMER SAE J200, 2BC 414, A14, B14, C12, E014, F17, Z1
 Z1= TEAR RESISTANCE, ASTM D624 -20kg/cm MIN.

② -ELASTOMER SAE J200, 2BC 514, A14, B14, C12, E014, F17, Z1
 Z1= TEAR RESISTANCE, ASTM D624 -20kg/cm MIN.

FINISH	HARDNESS	MATERIAL	PART NUMBER
PRETO/BLACK	40±5 SHORE A	ELASTOMER ①	880810-2
PRETO/BLACK	50±5 SHORE A	ELASTOMER ②	880810-1

DIMENSIONS: mm 		TOLERANCES UNLESS OTHERWISE SPECIFIED: 0 PLC ±0,3 1 PLC ± 2 PLC ± 3 PLC ± 4 PLC ± ANGLES ±P		DWN M.L. OGAWA 09JUN99 CHK P.L. FARIA 10JUN99 APVD J.M.M. NETO 10JUN99 PRODUCT SPEC - APPLICATION SPEC - WEIGHT -		TE Connectivity NAME COVER CAP 2 POSN SIZE A3 CAGE CODE 00779 DRAWING NO C=880810 RESTRICTED TO -	
MATERIAL SEE TABLE		FINISH SEE TABLE		CUSTOMER DRAWING		SCALE 2:1 SHEET OF REV B1	

CAD
 DO NOT REVISE EXCEPT BY CAD

Mouser Electronics

Authorized Distributor

Click to View Pricing, Inventory, Delivery & Lifecycle Information:

[TE Connectivity:](#)

[880810-1](#)