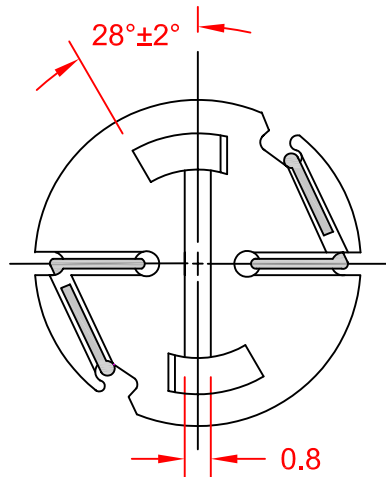
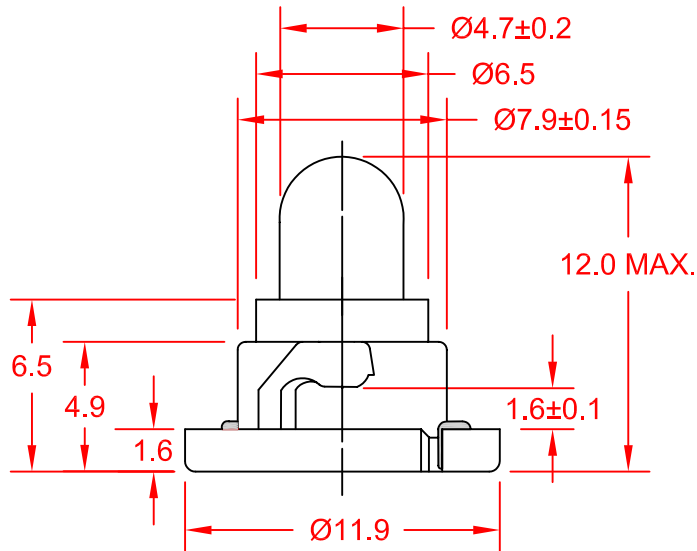


PC BOARD PUNCH PATTERN

(NO TREATMENT SUCH AS APPLICATION OF FLUX, SHALL BE DONE.)



REV.	DESCRIPTION/ECO NO.	DATE
	ENGR. RELEASE TO CAD	3/29/05

JKL PART NO.: ENW1-EW87/GRA/12MM\*\*\*  
 BASE COLOR: GRAY

JKL LAMP NUMBER	VOLTS RATED	AMPS ±10%	*MSCP ±25%	*LUMENS ±25%	AVERAGE LIFE HRS.	FILAMENT TYPE
EW87**	14.0	.140	.95	12.00	7,000	C-2V

\* LAMP RATED ONLY (NOT IN BASE).

\*\* LAMP GLASS LEAD (Pb) FREE.

\*\*\* LAMP AND BASE ASSEMBLY LEAD (Pb) FREE.

CONTACT JKL FOR LEAD (Pb) FREE LOT IDENTIFICATION.

<p>METRIC THIRD ANGLE PROJECTION</p>	DIMENSIONS ARE IN MILLIMETERS TOLERANCE UNLESS OTHERWISE SPECIFIED 1 PL +/- 0.2 2 PL +/- 0.20 ANGLE +/- 0		<h1>JKL COMPONENTS CORPORATION</h1>			
	TITLE T-1 1/2 NEO-WEDGE BASE WITH EW87 LAMP					
DRAWN BY L. WENGSTROM	APPV'D BY J.K.	DATE 3/29/05	SIZE <b>A</b>	FSCM NO. <b>55335</b>	DRAWING NO. <b>ENW1-EW87/GRA/12MM</b>	
- CAD DRAWING - MANUAL REVISIONS NOT PERMITTED			SCALE NONE	RELEASED DATE 3/29/05	REVISION DATE	REV. NO. 1 OF 1

# Mouser Electronics

Authorized Distributor

Click to View Pricing, Inventory, Delivery & Lifecycle Information:

[JKL Components:](#)

[ENW1-EW87/12MM](#)