

# Customer Information Sheet

DRAWING No.: M22-532XXXXP

SHEET 2 OF 2

IF IN DOUBT - ASK

©

NOT TO SCALE

THIRD ANGLE PROJECTION

ALL DIMENSIONS IN mm

**SPECIFICATIONS:**

**MATERIAL:**  
 MOULDING, PICK & PLACE CAP = NYLON 6T, UL94V-0, BLACK  
 CONTACTS = PHOSPHOR BRONZE

**FINISH:**  
 05 = GOLD  
 46 = 100% TIN OVER NICKEL

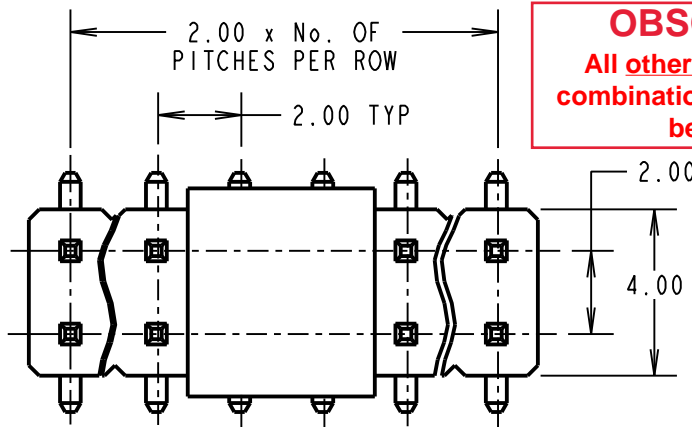
**ELECTRICAL:**  
 CURRENT RATING = 1A  
 CONTACT RESISTANCE = 20 mΩ MAX (GOLD), 30 mΩ MAX (TIN)  
 INSULATION RESISTANCE = 100 MΩ MIN

**MECHANICAL:**  
 DURABILITY = 300 OPERATIONS (GOLD), 50 OPERATIONS (TIN)  
 DIELECTRIC STRENGTH = 650V AC/DC

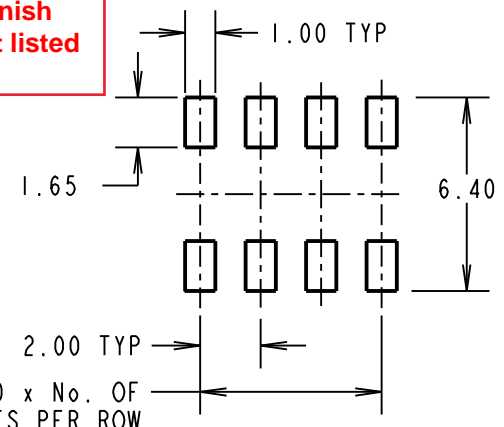
**ENVIRONMENTAL:**  
 TEMPERATURE RANGE = -40°C TO +105°C

**PACKING:**  
 TUBE

FOR COMPLETE SPECIFICATION, SEE COMPONENT SPECIFICATION CO18XX (LATEST ISSUE)



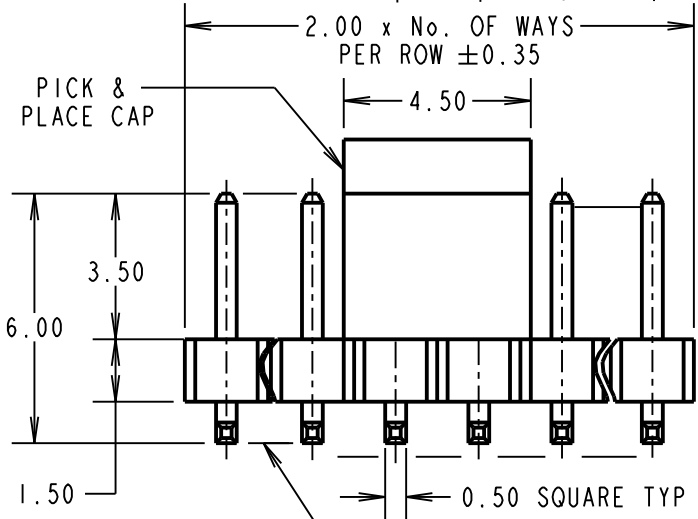
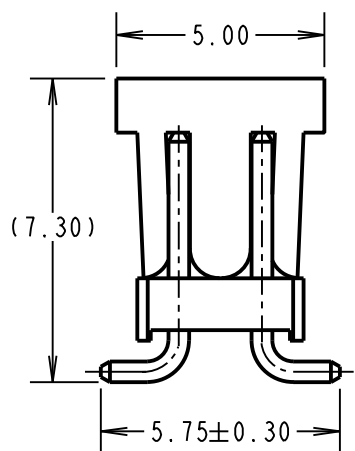
**OBSOLETE**  
 All other size/finish combinations not listed below



RECOMMENDED PCB LAYOUT

**Active products:**  
**M22-5320305P**  
**M22-5322205P**

| No OF CONTACTS | COPLANARITY TOLERANCE |
|----------------|-----------------------|
| 2x02 TO 2x12   | 0.10mm MAX            |
| 2x13 TO 2x20   | 0.15mm MAX            |
| 2x21 TO 2x25   | 0.20mm MAX            |



COPLANAR SEE TABLE

ORDER CODE:  
**M22-532XXXXP**

No. OF WAYS PER ROW \_\_\_\_\_  
 02-25

FINISH \_\_\_\_\_  
 05 - GOLD  
 46 - 100% TIN OVER NICKEL

|                        |      |          |        |
|------------------------|------|----------|--------|
| SM                     | 13   | 17.11.10 | 11011  |
| NAME                   | ISS. | DATE     | C/NOTE |
| APPROVED: S. MCCULLAGH |      |          |        |
| CHECKED: R. ADDE       |      |          |        |
| DRAWN: A. LIOTTA       |      |          |        |
| CUSTOMER REF.:         |      |          |        |
| ASSEMBLY DRG:          |      |          |        |

- NOTES:**
- ALL TOLERANCES ARE ±0.25 UNLESS OTHERWISE STATED.
  - SEE DRAWING M22-532XXXXR FOR TAPE & REELED VERSION, M22-532XXXX FOR STANDARD PRODUCT.
  - CO-PLANARITY: FLATNESS OF SMT TAILS MUST NOT EXCEED VALUES GIVEN IN TABLE.



|  |  |  |
|--|--|--|
| HARWIN USA<br>TEL: 603 893 5376<br>FAX: 603 893 5396<br>mis@harwin.com | HARWIN Europe (UK)<br>TEL: 023 9231 4545<br>FAX: 023 9231 4590<br>mis@harwin.co.uk | HARWIN Asia<br>TEL: +65 6 779 4909<br>FAX: +65 6 779 3868<br>mis@harwin.com.sg |
|--|--|--|

THIS DRAWING AND ANY INFORMATION OR DESCRIPTIVE MATTER SET OUT HEREON ARE CONFIDENTIAL AND COPYRIGHT PROPERTY OF THE HARWIN GROUP AND MUST NOT BE DISCLOSED, LOANED, COPIED OR USED FOR MANUFACTURING, TENDERING OR FOR ANY OTHER PURPOSE WITHOUT THEIR WRITTEN PERMISSION.

**TOLERANCES**

|                 |
|-----------------|
| X = ±1mm        |
| X.X = ±0.25mm   |
| X.XX = ±0.10mm  |
| X.XXX = ±0.01mm |
| ANGLES = ±5°    |
| UNLESS STATED   |

**MATERIAL:**  
 SEE ABOVE

**FINISH:**  
 SEE ABOVE

**S/AREA:** mm<sup>2</sup>

**TITLE:** 2.00mm PITCH DIL SMT PIN HEADER ASSEMBLY (WITH PICK & PLACE CAP)

**DRAWING NUMBER:**  
**M22-532XXXXP**

SHT 2 OF 2

# Mouser Electronics

Authorized Distributor

Click to View Pricing, Inventory, Delivery & Lifecycle Information:

## Harwin:

[M22-5320805P](#) [M22-5320705P](#) [M22-5322205P](#) [M22-5320905P](#) [M22-5321005P](#) [M22-5320205P](#) [M22-5320405P](#)  
[M22-5320305P](#) [M22-5321905P](#) [M22-5321705P](#) [M22-5321805P](#) [M22-5322505P](#) [M22-5322305P](#) [M22-5322405P](#)  
[M22-5321105P](#) [M22-5321305P](#) [M22-5321205P](#) [M22-5320605P](#) [M22-5320505P](#) [M22-5322005P](#) [M22-5321505P](#)  
[M22-5321605P](#) [M22-5321405P](#) [M22-5322105P](#) [M22-5320246P](#) [M22-5320346P](#) [M22-5320446P](#) [M22-5320546P](#)  
[M22-5320646P](#) [M22-5320746P](#) [M22-5320846P](#) [M22-5320946P](#) [M22-5321046P](#) [M22-5321146P](#) [M22-5321246P](#)  
[M22-5321346P](#) [M22-5321546P](#) [M22-5321646P](#) [M22-5321746P](#) [M22-5321846P](#) [M22-5321946P](#) [M22-5322046P](#)  
[M22-5322146P](#) [M22-5322246P](#) [M22-5322346P](#) [M22-5322446P](#) [M22-5322546P](#)