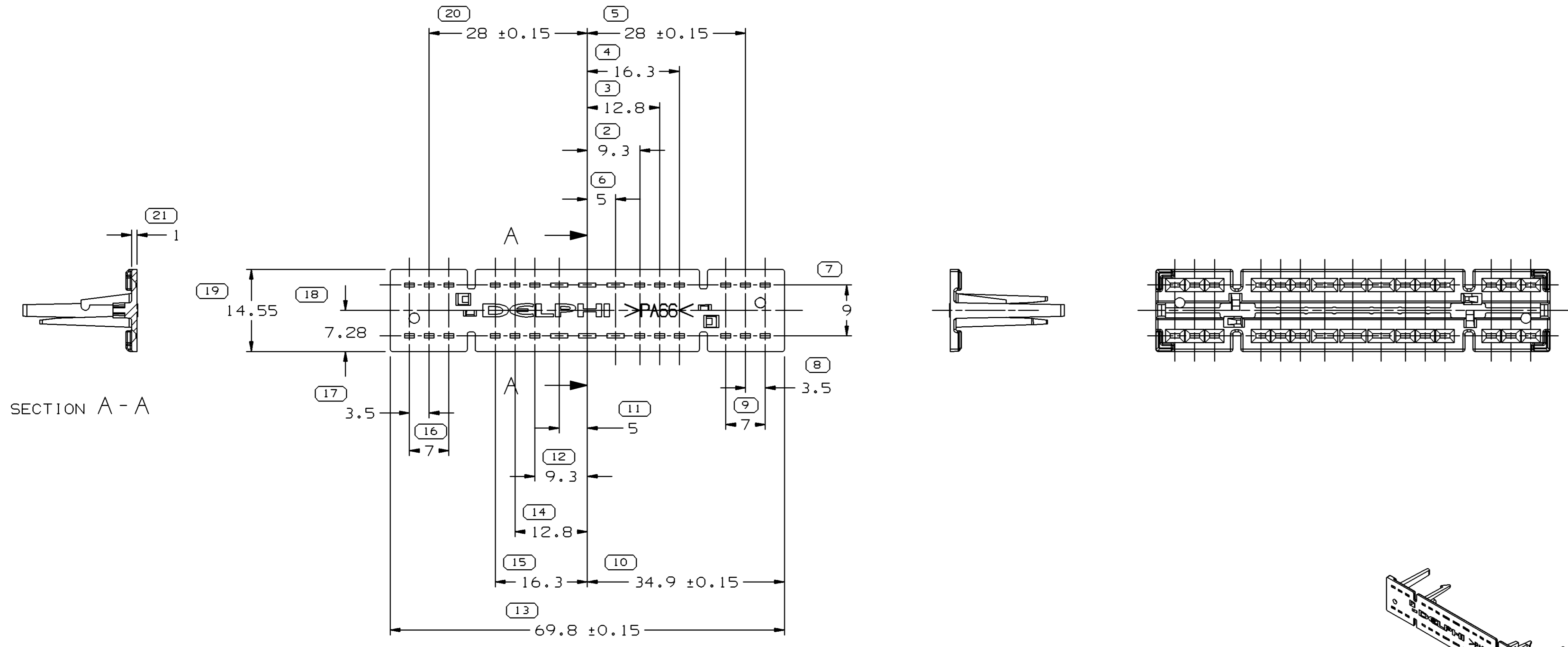
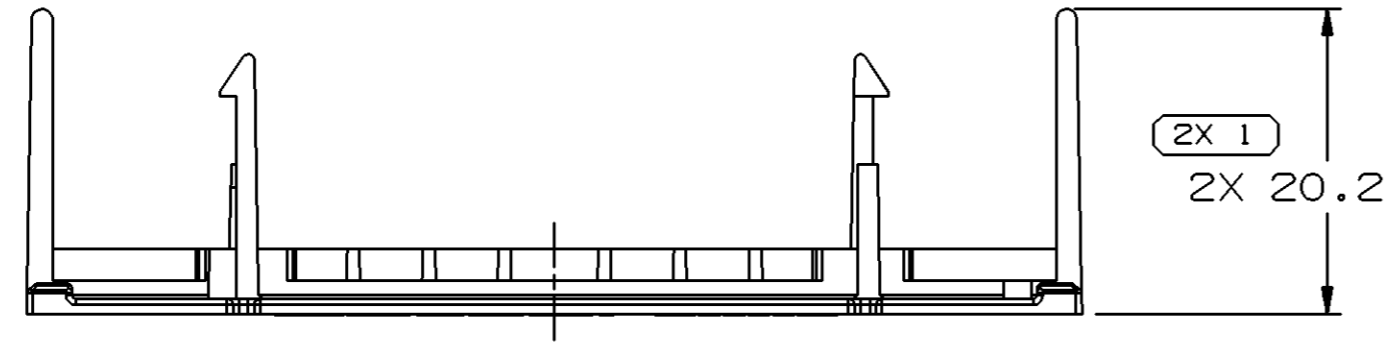
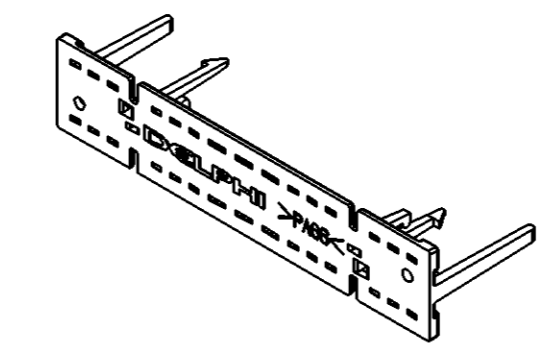
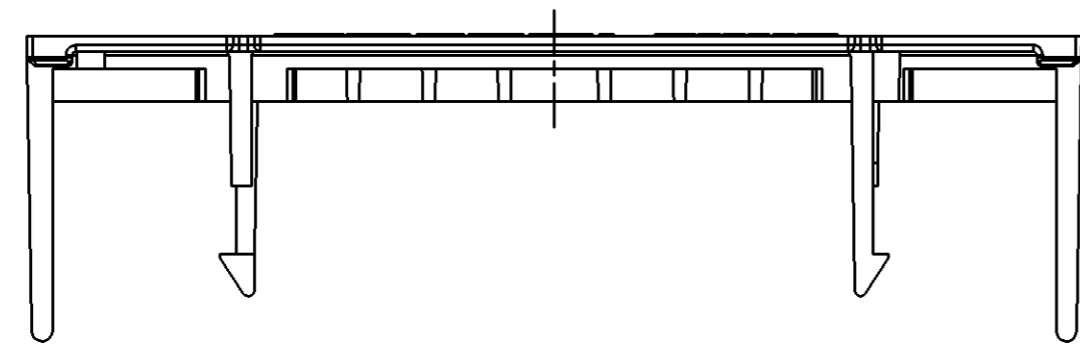


SYMBOL DEFINITION		MISSING SYMBOLS	
A DIMENSION WITHOUT AN INSPECTION REPORT SYMBOL DOES NOT REQUIRE INSPECTION. IT MAY BE CONTROLLED ON THE INDIVIDUAL COMPONENT DRAWING.	TOTAL NO OF INSPECTIONS REQUIRED	NO MISSING SYMBOL NUMBER	22
	LAST NO. USED		21

DWG STATUS					ZONE	REVISION HISTORY	AUTH	DR	APVD 1	APVD 2
DATE	STG	REV	N/P	CHG						
21AU01	R	001	-	-		RELEASED	214893	CJC	CJC	RAP
10JA02	R	002	-	-		REVISED LEAD IN POSTS - 2PLCS	219498	CJC	CJC	CAM
08MR02	R	002	AA	-		REVISED DIMENSIONS	222419	LMB	LMB	CAM
010C03	R	02	AB	-		ADDED NOTE #6	246387	FKV	FKV	MP
100C03	R	02	AC	-		UPDATED PDM ATTRIBUTES	247289	EES	EES	MLP



- NOTES:
- UNLESS OTHERWISE SPECIFIED AND/OR INDICATED: DIMENSIONS ARE TO FACE OF VIEW SHOWN AND AUTOMATICALLY ROUNDED BY COMPUTER FOR INSPECTION. (SEE MATH MODEL FOR PRECISE DIMENSION) FOR ALL OTHER DIMENSIONS NOT SHOWN BUT REQUIRED FOR TOOL BUILD, SEE MATH MODEL FOR PRECISE TOOL PATH DATA.
 - MATING COMPONENTS: CONNECTOR 15304906 AND 15304907 OR EQUIVALENT
TERMINAL SLOTS ACCEPT GT 150 MALE BLADES (24 PLCS)
TERMINAL SLOTS ACCEPT GT 280 MALE BLADES (6 PLCS)
 - STABILIZER HAS ABILITY TO BE PRE-STAGED IN CONNECTOR 15304906 AND 15304907 OR EQUIVALENT.
 - TO BE USED WITH APPROPRIATE DELPHI PACKARD ELECTRIC SYSTEMS DESIGNED HOLDERS.
 - TO BE PROCESSED USING DELPHI PACKARD ELECTRIC SYSTEMS BEST PRACTICE METHOD OR CUSTOMER ASSEMBLY INSTRUCTIONS.
 - THIS PART DOES NOT FALL IN TO THE CATEGORY OF AN APPEARANCE ITEM. MINOR SURFACE IMPERFECTIONS SUCH AS FLOW LINES, EJECTOR PIN MARKS, KNIT LINES, WELD MARKS AND GATE MARKINGS ARE PERMITTED.



DWG TYPE		PART DRAWING	
STYLE			
VOLUME (CM ³)	1.490	DISTR CODE	D
ROUTING	6900	UNLESS OTHERWISE SPECIFIED	
THIS DOCUMENT IS IN ACCORDANCE WITH ASME Y14.5M-1994 AS AMENDED BY THE GM GLOBAL DIMENSIONING AND TOLERANCING ADDENDUM-2001. SEPARATE PATTERNS OF FEATURES MAY BE GAGED SEPARATELY REGARDLESS OF DATUM REFERENCES.			
ALL DIMENSIONS ARE IN MILLIMETERS			
THIRD ANGLE PROJECTION			
DO NOT SCALE			
USE MATH DATA			

DELPHI	
DELPHI PACKARD ELECTRIC SYSTEMS WARREN, OH	
DR	CRAIG J. COGGINS
APVD1	CRAIG J. COGGINS
APVD2	CRAIG J. COGGINS
APVD3	RON PUHL
APVD4	
APVD5	
SUBSTANCES OF CONCERN AND RECYCLED CONTENT PER DELPHI 10949001	
MATERIAL M3592008 PA66 HS IM-BLU	
DRAWING NAME MOUN STABILIZER	
DRAWING NUMBER 15418984	
SIZE	A1
SCALE	2:1
FRAME NO	1 OF 1
SHEET NO	1 OF 1
STG	R
REV	02
N/P	AC

R 0.1 MAX	R 0.2 MAX	SHARP CORNER TOLERANCE	DIMENSIONAL RANGE (MM)		CHART E1						
			FROM	TO	FROM	TO					
			> 0	> 20	> 30	> 70	> 100	> 150	> 200	> 250	> 300
			±0.15	±0.2	±0.3	±0.4	±0.5	±0.6	±0.8	±1	±1.2
			TOLERANCE UNLESS OTHERWISE SPECIFIED								
			ANGULAR TOLERANCE ±2°								

Mouser Electronics

Authorized Distributor

Click to View Pricing, Inventory, Delivery & Lifecycle Information:

[Aptiv:](#)

[15418984](#)