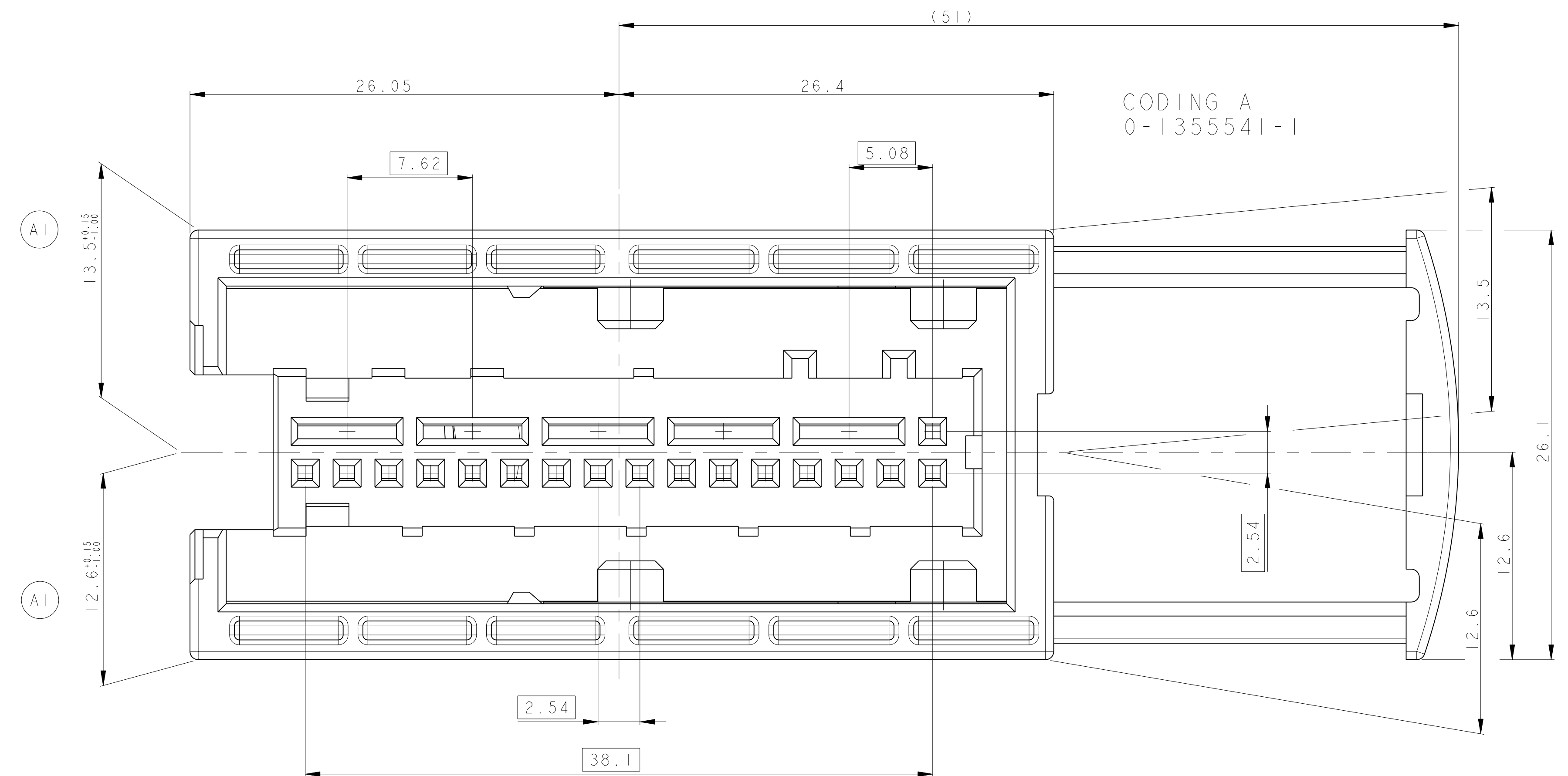
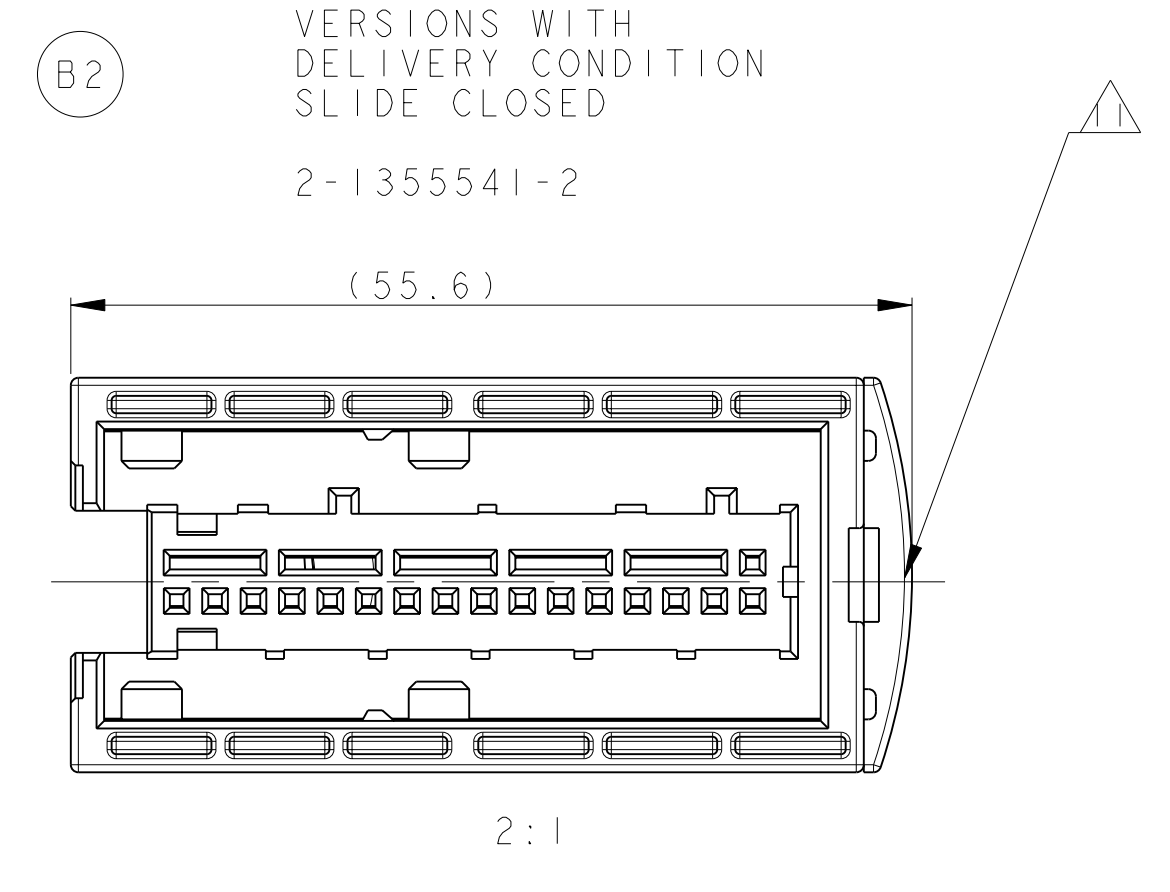
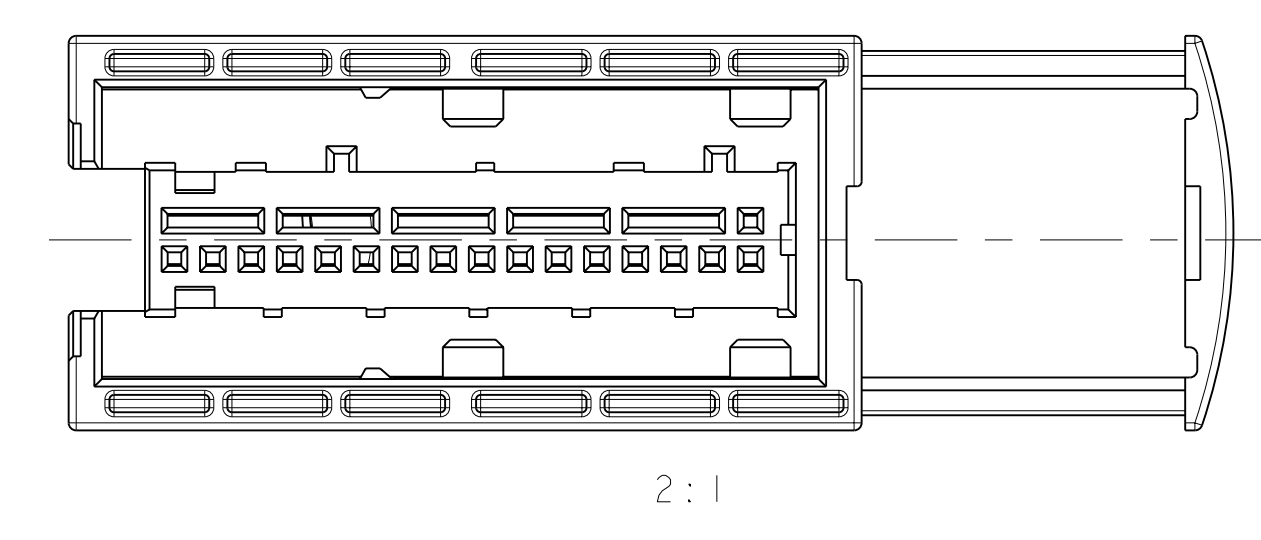


PROJEKT NO.		REVISONS	
A98-52279 B916704		DATE	APPD
B3	SEE E-08-24812	23OCT08	HSCB AK
B4	SEE E-09-023384	14JAN10	FU HS

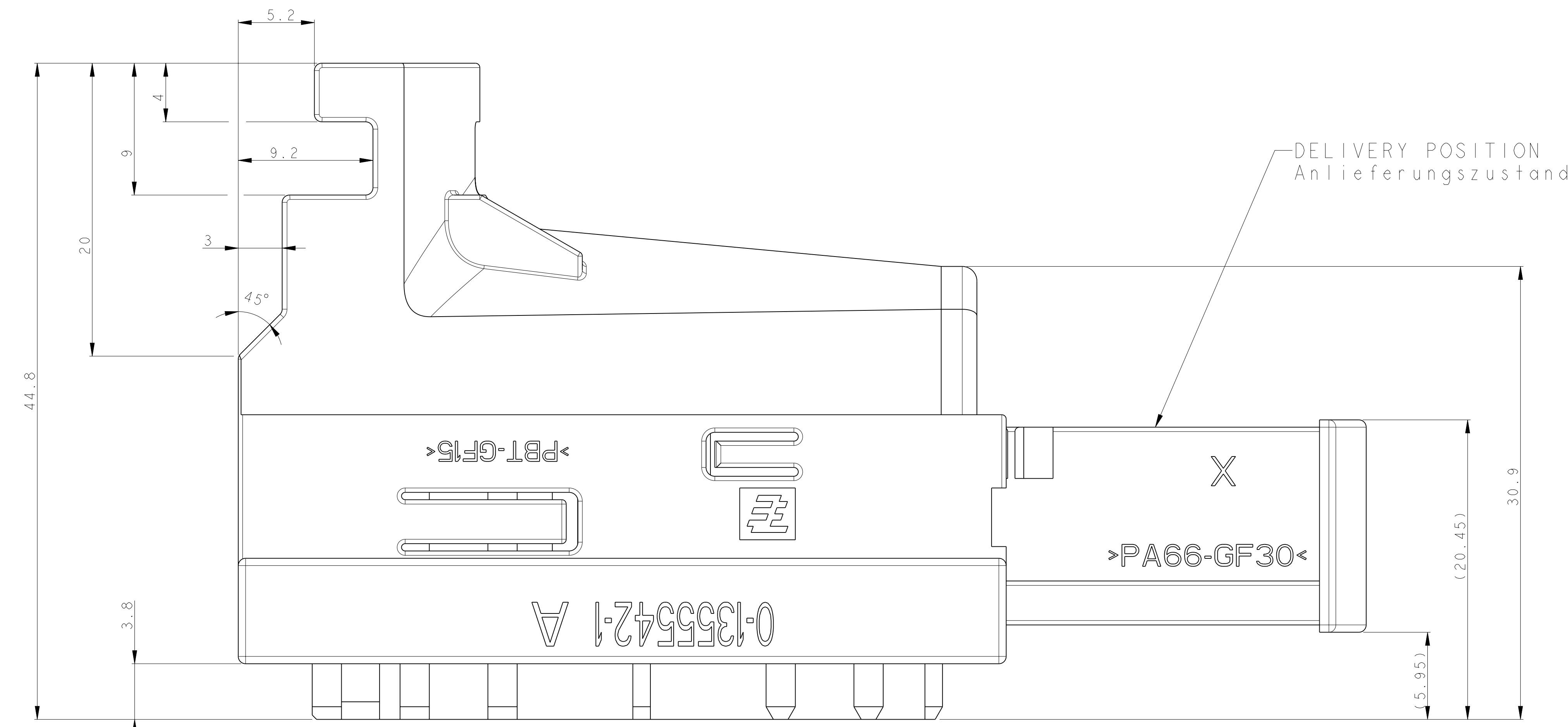


CODING A  
0-1355541-1

CODING B  
0-1355541-2

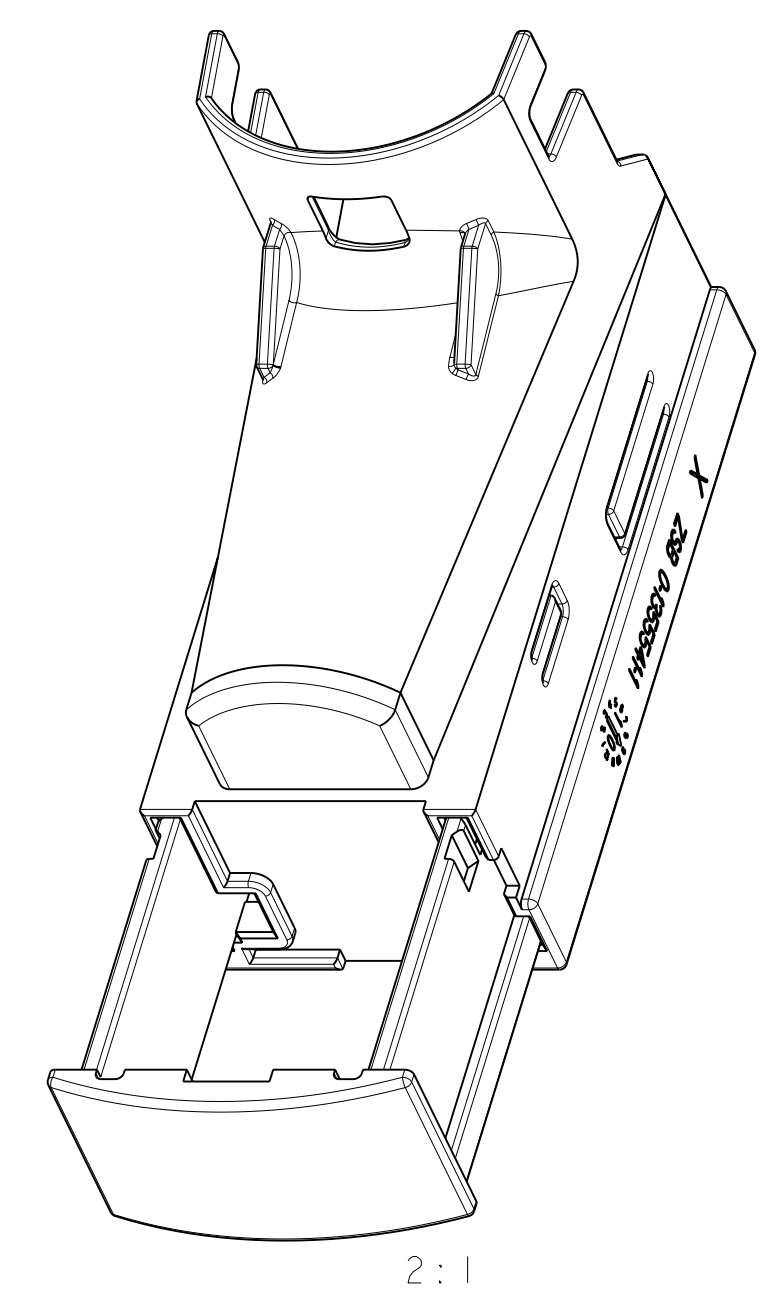
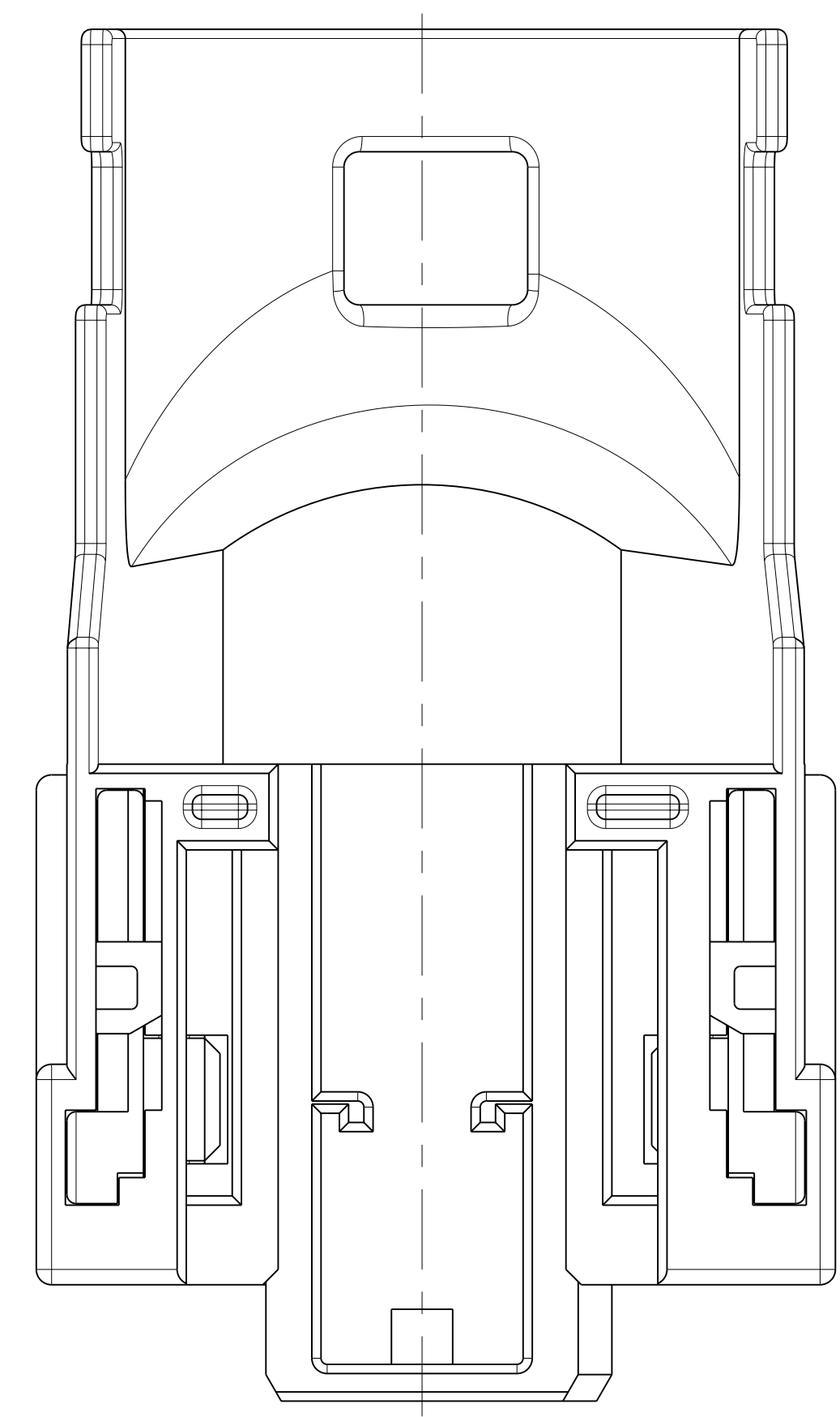


VERSIONS WITH DELIVERY CONDITION SLIDE CLOSED  
2-1355541-2

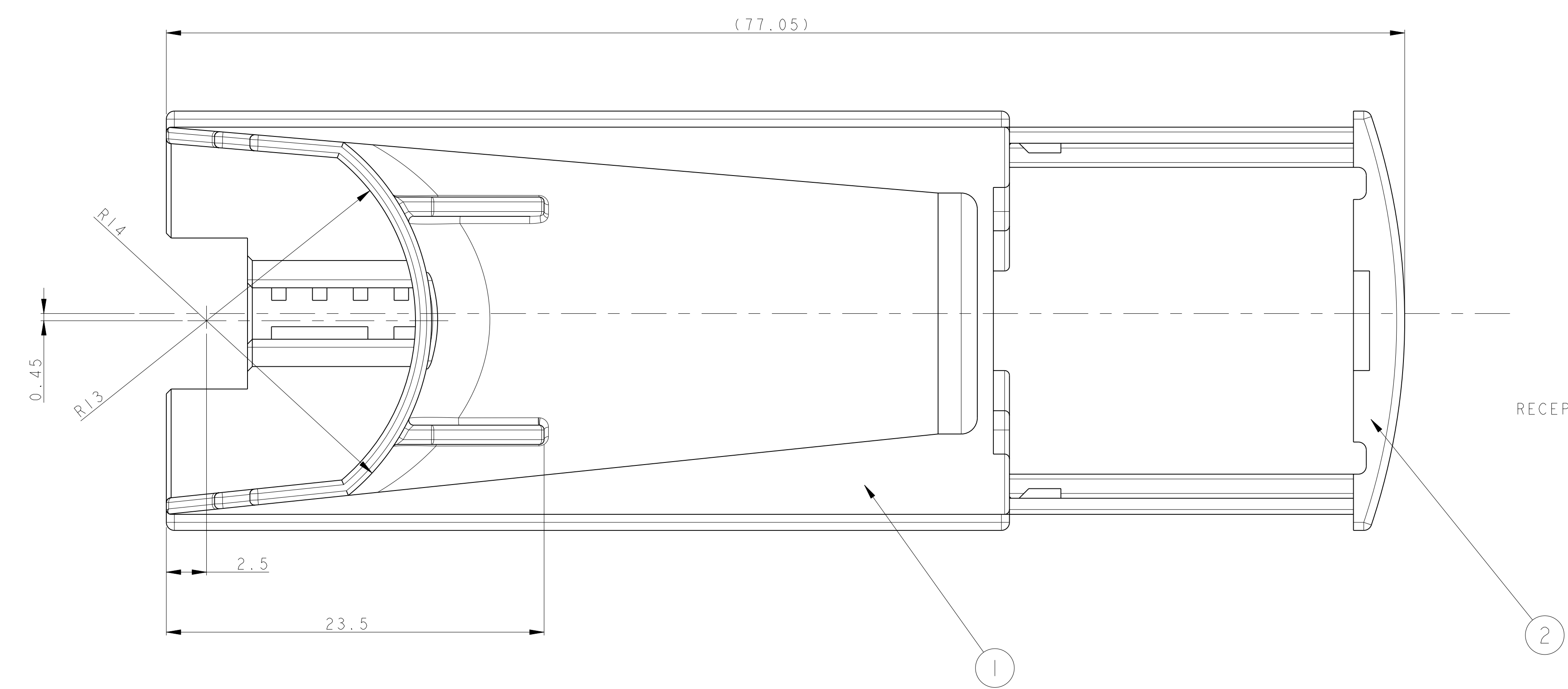


>PBT-GF15<  
  
 0-1355542-1 A

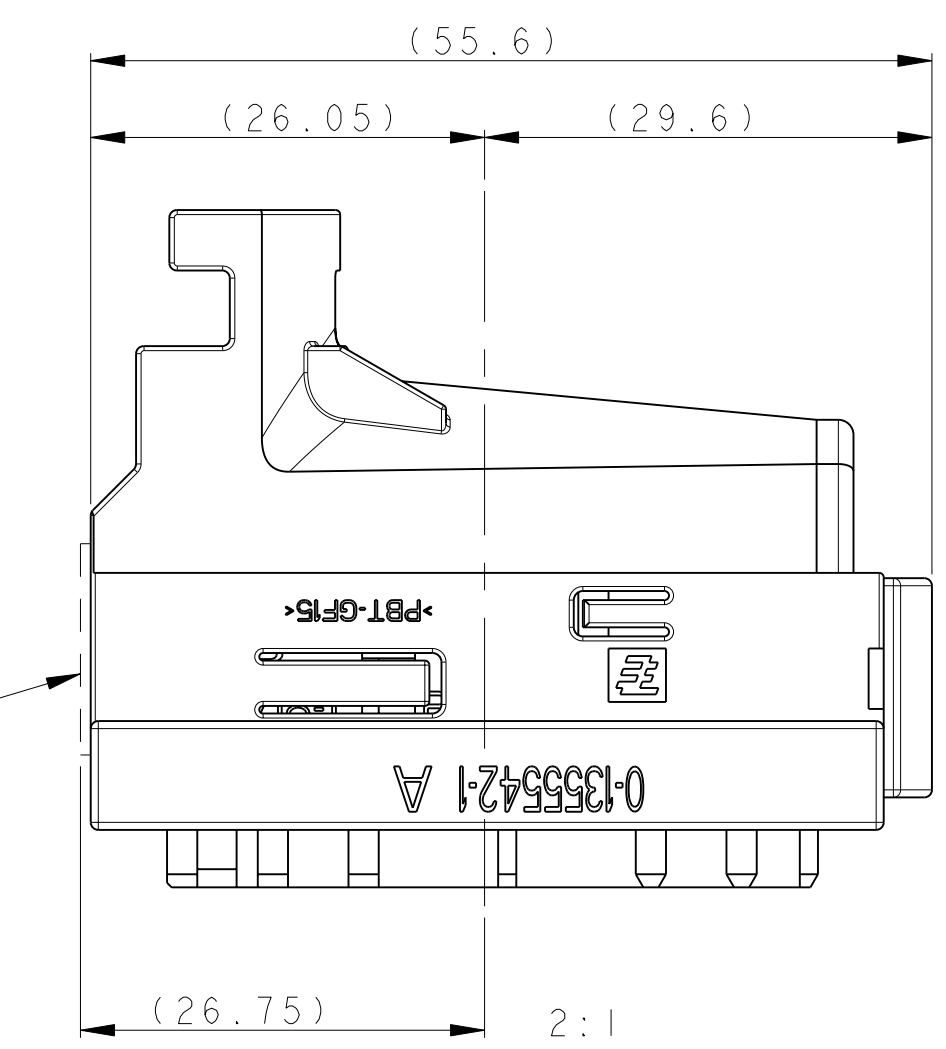
>PA66-GF30<



0-1355589-1	32POS MODULI PINHEADER, 90° VERSION, RIGHT, COD A
	32POS MODULI PINHEADER, 90° VERSION, LEFT, COD A
0-1355587-1/-2	5xTAB5.2mm+2xMODULI PINHEADER, 180° VERSION, COD A
0-1241725-1	5xPO+2xMOS RECEPTACLE HOUSING
0-1241724-1	32POS MOS RECEPTACLE HOUSING
114-18079	INTERFACEDRAWING FOR 5xPO+2xMOS CONNECTOR
114-18078	INTERFACEDRAWING FOR 32POS MOS CONNECTOR
NUMBER	DESCRIPTION
COUNTERPARTS	BESCHREIBUNG
GEGENSTECKER	



CONNECTOR CLOSED  
Stecker geschlossen



NOTES  
Bemerkungen

- △ AMP or TE-LOGO  
AMP or TE-Logo
- △ ORDER-NUMBER  
Bestell-Nummer
- △ REVISIONS-NUMBER  
Werkzeugänderungsindex
- △ GM-LOGO  
GM-Logo
- △ CAVITY MARKING  
Nestmarkierung
- △ CUSTOMER SIGN  
Kunden-Kurzzeichen
- △ PACKAGE: IN LAYERS IN CARTON  
Verpackung: Teile lageweise im Karton
- △ MATERIAL MARKING  
Werkstoffkennzeichnung
- △ PRODUCTION-DATE  
Produktions-Datum
- △ SPECIAL PACKAGE FOR RUDE TRANSPORT: 180 PIECES IN LAYERS IN CARTON  
Spezialverpackung fuer rauhen Transport: 180 Teile lageweise im Karton
- △ BEFORE MATING WITH COUNTERPART MOVE SLIDE IN PRELOCK-POSITION  
Vor dem Stecken auf das Gegenstück zuerst den Schieber in Vorraststellung schieben

REV	QTY	DESCRIPTION	MATERIAL	SURFACE COLOR	WEIGHT	ITEM NO
B2	1	SLIDE	PA66-GF 30	RED	-	
B3	1	COVER CODING B	PBT-GF 15	BLUE	-	
B1	1	COVER CODING A	PBT-GF 15	BLACK	-	
	1	SLIDE	PA66-GF 30	RED	-	
	1	COVER CODING B	PBT-GF 15	BLUE	-	
	1	SLIDE	PA66-GF 30	RED	3,4	2
	1	COVER CODING A	PBT-GF 15	BLACK	12,1	1

DATE	11 JUN 09	APPD	H. Schmitt
DESIGNED BY	H. Schmitt	TRAPROD	
CHECKED BY	H. Schmitt		
SCALE	1:1		
MATERIAL			
FINISH			
WEIGHT	15,5 g		
CUSTOMER DRAWING			

TYCO Electronics  
 AMP Deutschland GmbH  
 D - 43225 Langer

COVER WITH SLIDE, 32POS MOS, ASSY  
 UMGEGAEUSE MIT SCHIEBER

SCALE 5:1 SHEET 1 OF 1 REV B4

# Mouser Electronics

Authorized Distributor

Click to View Pricing, Inventory, Delivery & Lifecycle Information:

[TE Connectivity:](#)

[1355541-2](#)