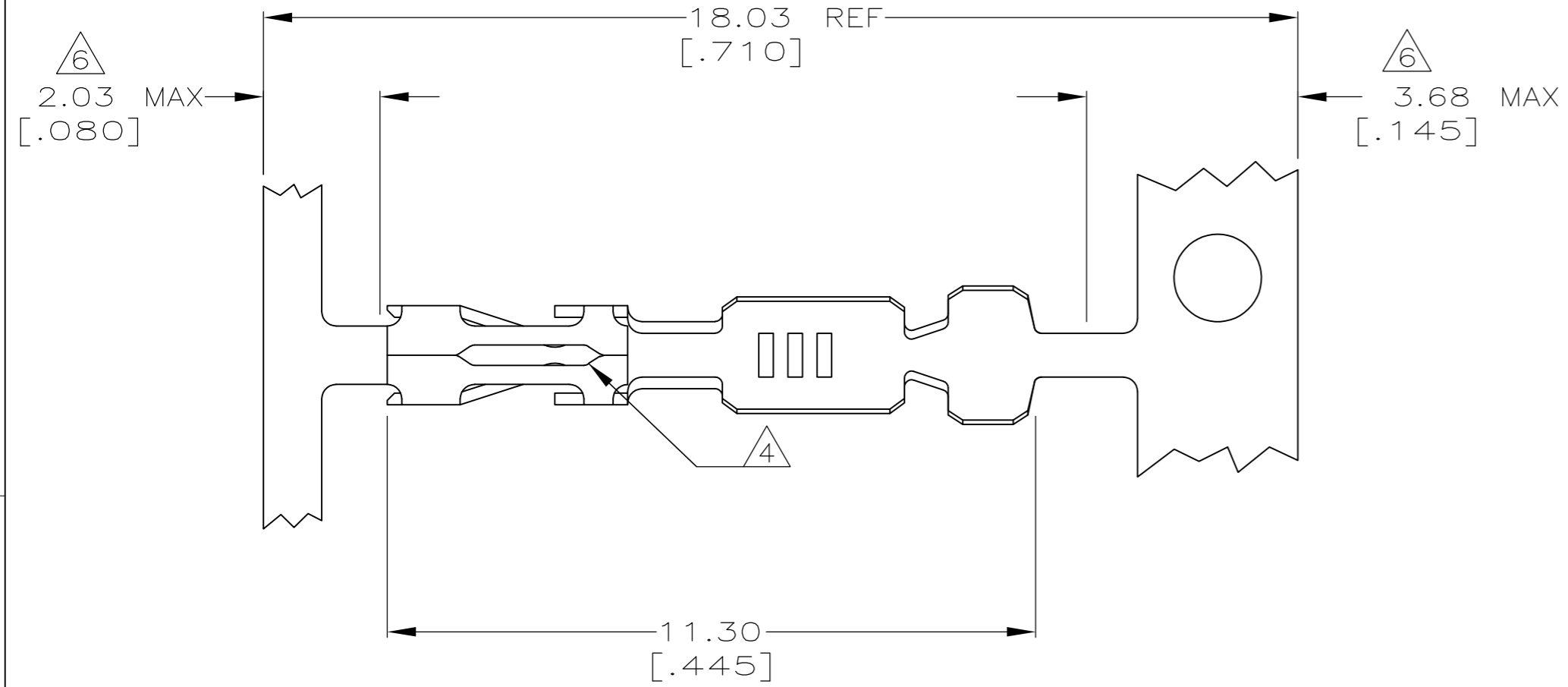
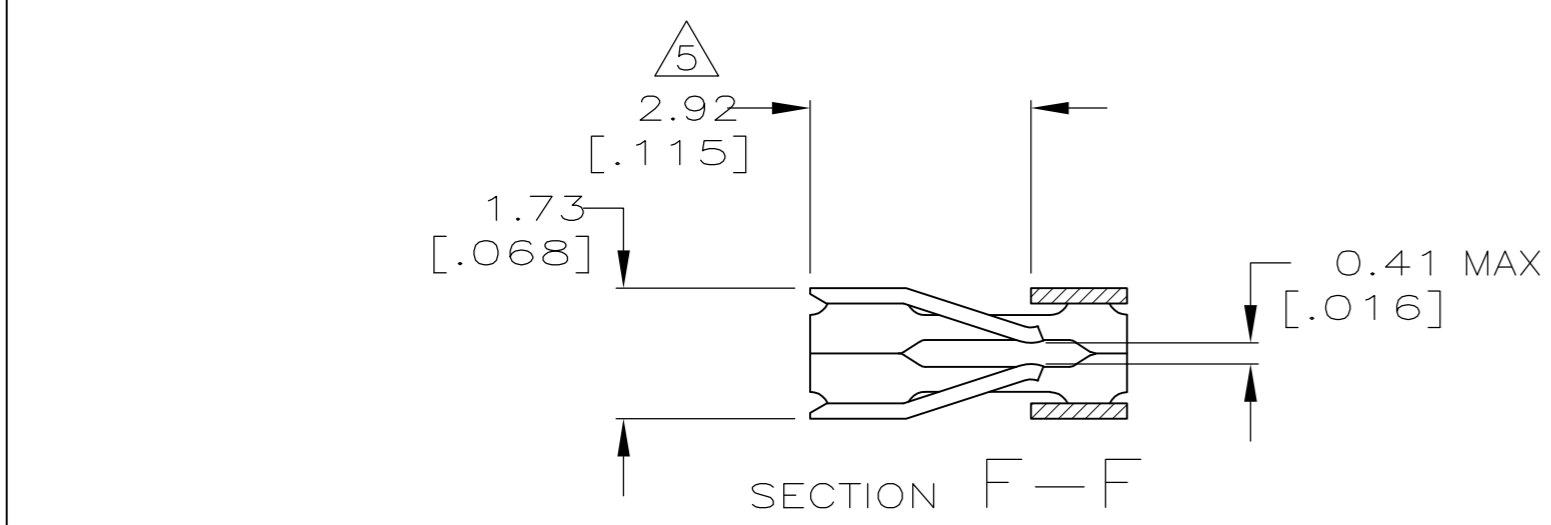
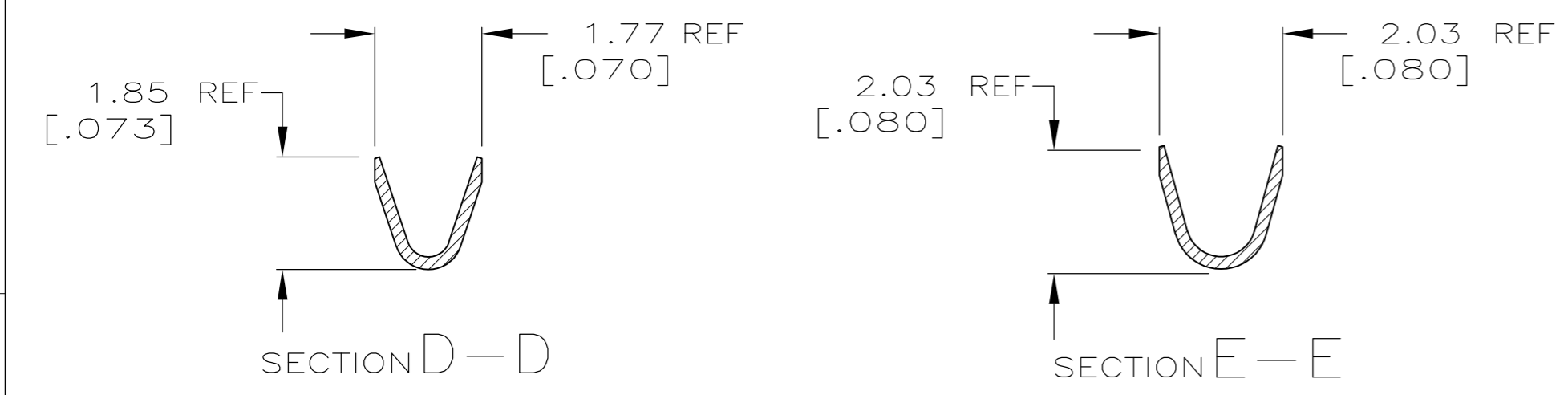
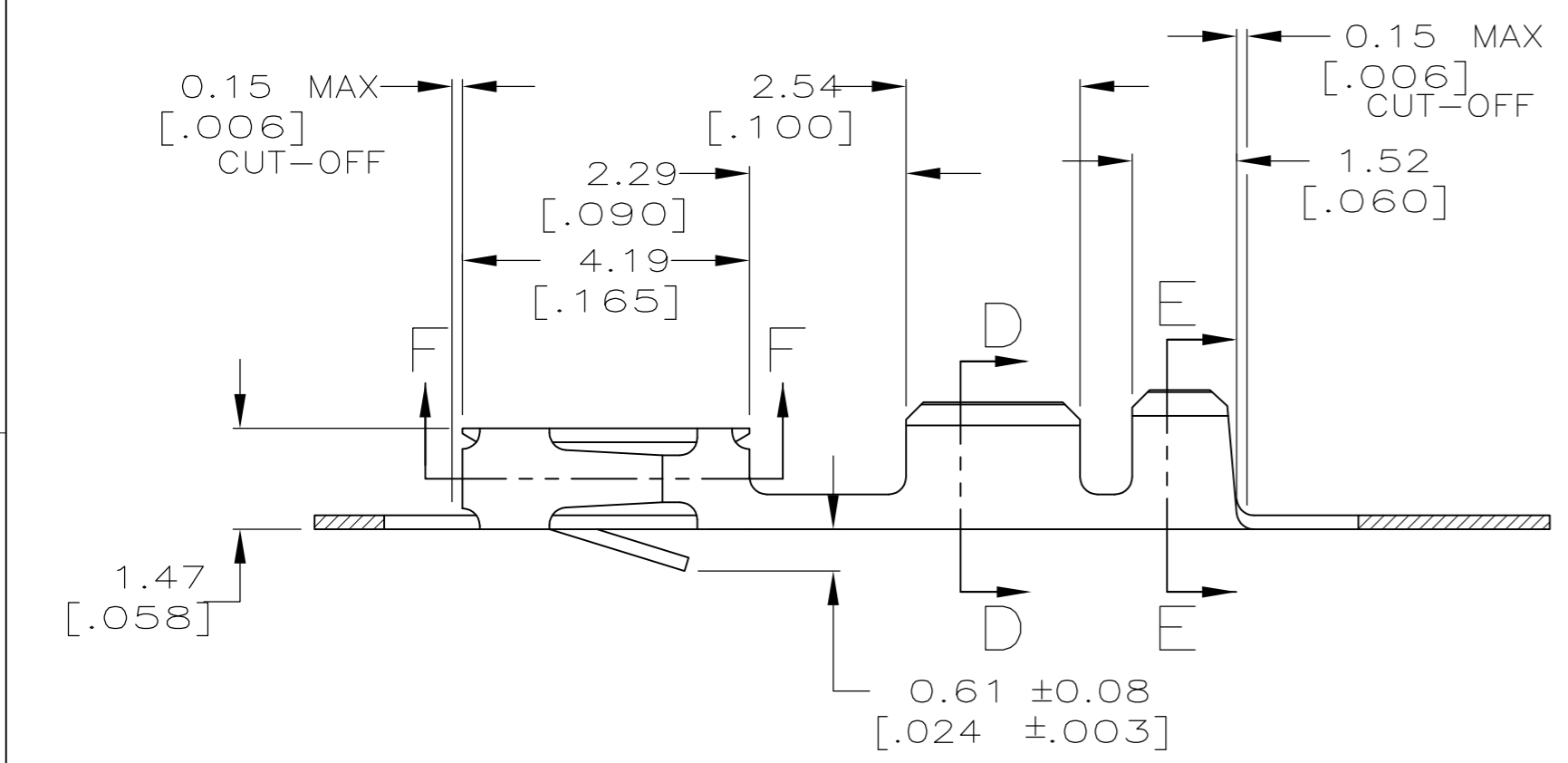


THIS DRAWING IS UNPUBLISHED. RELEASED FOR PUBLICATION  
 © COPYRIGHT - By - ALL RIGHTS RESERVED.

LOC	DIST	REVISIONS			
P	LTR	DESCRIPTION	DATE	DWN	APVD
AD	39				
		K REVISED PER ECO-15-004633	30MAY2015	NK	JO



- 1 REELED FOR MINI APPLICATOR.
- 2 FINISH: GOLD FLASH OVER 0.00127[.000050] NICKEL, 0.000381[.000015] GOLD IN CONTACT AREA.
- 3 FINISH: GOLD FLASH OVER 0.00127[.000050] NICKEL, 0.00076[.000030] GOLD IN CONTACT AREA.
- 4 CUT OUTS ON BOX AT MANUFACTURERS OPTION.
- 5 POINT OF MEASUREMENT FOR PLATING THICKNESS(INSIDE BEAMS).
- 6 GOLD PLATING NOT REQUIRED IN THIS AREA.
- 7 WIRE RANGE #22-#26, INSULATION RANGE  $\phi$ .061 MAX.



LOOSE PC.	FINISH	PART NUMBER
1	3	102548-6
2	3	102548-5
LOOSE PC.	2	102548-3
1	2	102548-1

THIS DRAWING IS A CONTROLLED DOCUMENT.		DWN S. SHUEY 5-6-92	<b>TE</b> TE Connectivity	
DIMENSIONS: mm [INCHES]		CHK J. GESFORD 5-20-92		
TOLERANCES UNLESS OTHERWISE SPECIFIED:		APVD -	NAME	
0 PLC	± -	PRODUCT SPEC	CONTACT, CRIMP SNAP-IN, MOD IV 1/2	
1 PLC	± -	APPLICATION SPEC	-	
2 PLC	± 0.13[.005]		-	
3 PLC	± -		-	
4 PLC	± -		-	
ANGLES	± -		-	
MATERIAL CU-NI-SI	FINISH SEE TABLE	WEIGHT -	SIZE A2	CAGE CODE 00779
		CUSTOMER DRAWING	DRAWING NO C=102548	RESTRICTED TO -
		SCALE 10:1	SHEET 1 of 1	REV K

# Mouser Electronics

Authorized Distributor

Click to View Pricing, Inventory, Delivery & Lifecycle Information:

[TE Connectivity:](#)

[102548-5](#)