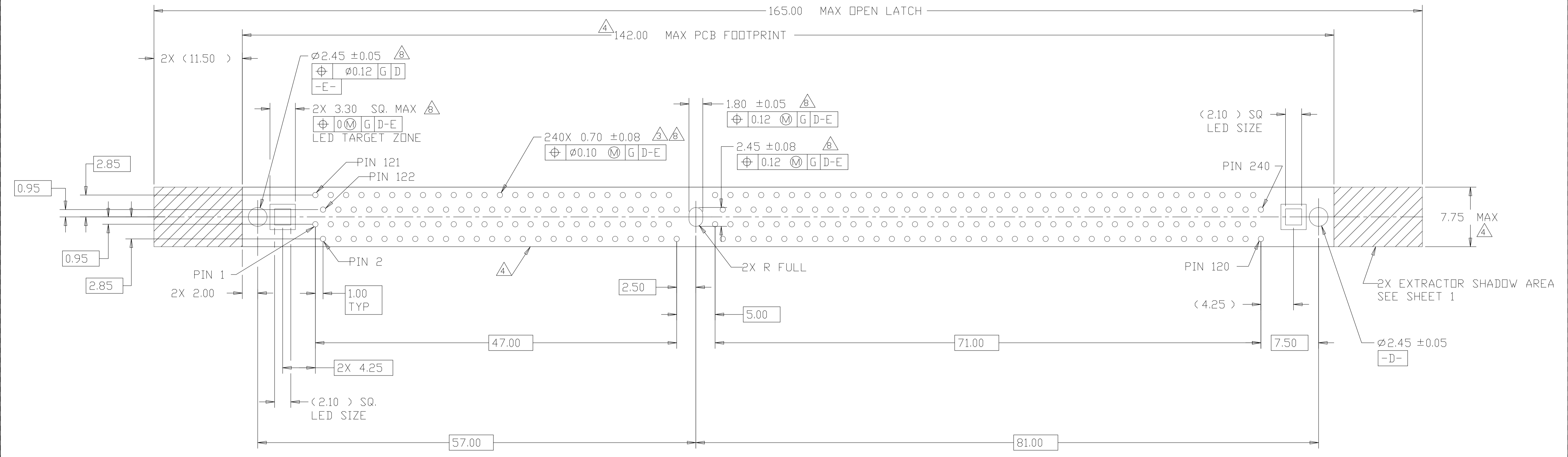


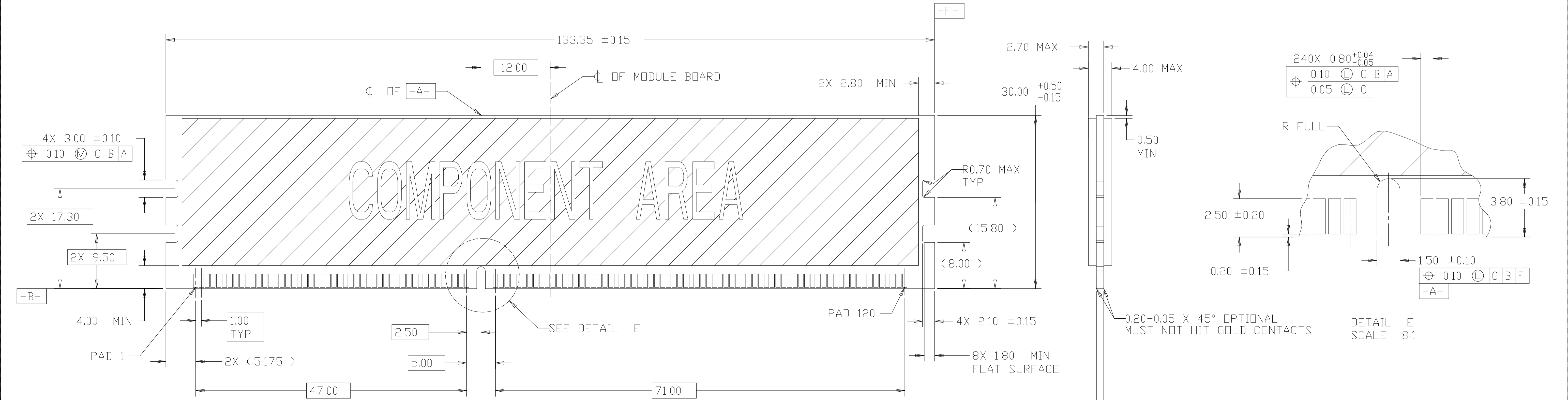
RETENTION BARB	NATURAL	BLUE<2935U>	0.00038 MIN <15u''>	2.67	6-1932031-2
	BLACK	BLACK	0.00051 MIN <20u''>	2.67	6-1932031-1
	NATURAL	BLACK	0.00051 MIN <20u''>	2.67	6-1932031-0
	NATURAL	NATURAL	0.00076 MIN <30u''>	3.18	5-1932031-9
		BLUE<2935U>	0.00038 MIN <15u''>	3.18	5-1932031-8
	BLACK	BLACK	0.00076 MIN <30u''>	4.00	5-1932031-2
				3.18	5-1932031-1
	NATURAL	BLUE<284C>	0.00038 MIN <15u''>	3.18	4-1932031-9
		BLACK		3.18	4-1932031-7
	NATURAL	GREEN<368C>	0.00038 MIN <15u''>	3.18	3-1932031-4
	NATURAL	BLUE<284C>	0.00038 MIN <15u''>	3.18	2-1932031-6
				2.67	2-1932031-5
	BLACK	BLACK	0.00008 MIN <3u''>	2.67	1-1932031-6
				4.00	1-1932031-5
	NATURAL	BLACK	0.00038 MIN <15u''>	4.00	1-1932031-2
				3.18	1-1932031-1
2.67				1-1932031-0	
NATURAL	NATURAL	0.00008 MIN <3u''>	2.67	1932031-7	
			3.18	1932031-5	
			2.67	1932031-4	
HOUSING STYLE	EXTRACTOR COLOR	HOUSING COLOR	CONTACT GOLD INTERFACE	TAIL LENGTH	PART NUMBER

THIS DRAWING IS A CONTROLLED DOCUMENT.

DIMENSIONS: mm	TOLERANCES UNLESS OTHERWISE SPECIFIED:	DMN SANDERS YAN 21AUG2007	APVD LEO ZHOU 21AUG2007	NAME STEVEN YAO 21AUG2007
0 PLC ± -	1 PLC ± 0.5	STE Connectivity		
2 PLC ± 0.13	3 PLC ± 0.013	SOCKET ASSEMBLY, VERTICAL DDR3 DIMM, SOLDER TAIL, 240 POSITION, LOWER RESISTANCE TYPE		
4 PLC ± 0.0001	ANGLES ± -	PRODUCT SPEC 108-60071		
MATERIAL -	FINISH -	APPLICATION SPEC 114-13154	SIZE A1	CAGE CODE DRAWING NO 00779
		WEIGHT -	SCALE 4:1	DRAWING NO 1932031
		CUSTOMER DRAWING	SHEET 2 OF 4	REV C8

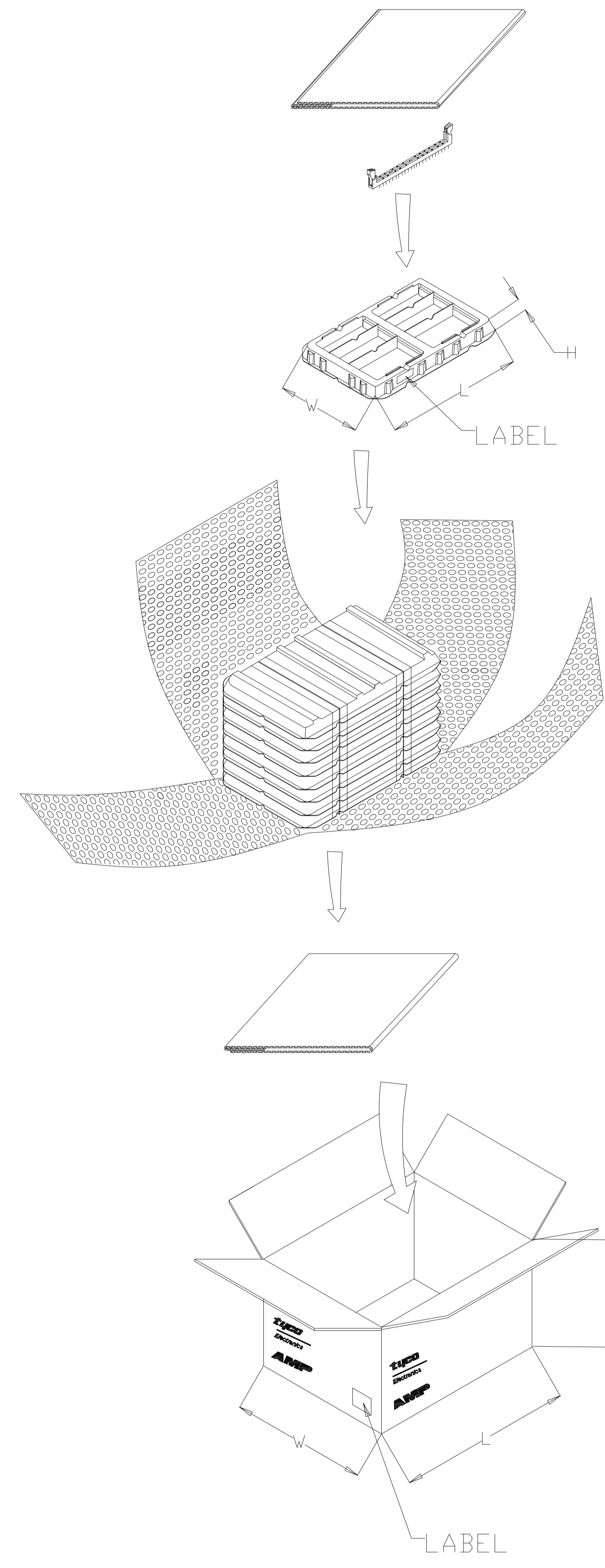


RECOMMENDED PCB LAYOUT VIEWED FROM CONNECTOR SIDE



RECOMMENDED MODULE LAYOUT SCALE 3:1 REFER TO JEDEC MD-269 FOR COMPLETE MODULE DETAILS

THIS DRAWING IS A CONTROLLED DOCUMENT.		DN SANDERS, YAN 21AUG2007	TE Connectivity
		CHK LEO ZHOU 21AUG2007	
DIMENSIONS: mm		APVD STEVEN YAO 21AUG2007	NAME
TOLERANCES UNLESS OTHERWISE SPECIFIED:		PRODUCT SPEC	SOCKET ASSEMBLY, VERTICAL DDR3 DIMM, SOLDER TAIL, 240 POSITION, LOWER RESISTANCE TYPE
0. PLC ± -	1. PLC ± 0.50	APPLICATION SPEC	108-60071
2. PLC ± 0.15	3. PLC ± 0.013	SIZE	114-13154
4. PLC ± 0.0001	ANGLES ± -	WEIGHT	A1 00779
MATERIAL FINISH		CAGE CODE	DRAWING NO. 1932031
		CUSTOMER DRAWING	SCALE 4:1 SHEET 3 OF 4 REV C8



BOTTOM TRAY

TRAY

CARTON

NOTES:

1. MATERIAL:
  - 1.1 TRAY: PVC
  - 1.2 SHIPPING CARTON : CORRUGATED FIBERBOARD
2. DIMENSION :
  - 2.1 TRAY : L=363, W=255, H=33
  - 2.2 SHIPPING CARTON : L=375, W=265, H=280
3. QUANTITY :
  - 3.1 PRIMARY PACKING : 50 PCS/TRAY
  - 3.2 SECONDARY PACKING : 8 TRAY/CARTON(400PCS)
4. WEIGHT :
  - 4.1 NET WEIGHT : 3.76 KG
  - 4.2 GROSS WEIGHT: 6.00 KG

THIS DRAWING IS A CONTROLLED DOCUMENT.		DN SANDERS YAN 21AUG2007	TE Connectivity
DIMENSIONS: mm		CHK LEO ZHOU 21AUG2007	
TOLERANCES UNLESS OTHERWISE SPECIFIED: 0. PLC ± - 1. PLC ± 0.50 2. PLC ± 0.13 3. PLC ± 0.013 4. PLC ± 0.0001 ANGLES ± -		APVD STEVEN YAO 21AUG2007	NAME
		PRODUCT SPEC	SOCKET ASSEMBLY, VERTICAL DDR3 DIMM,SOLDER TAIL, 240 POSITION,LOWER RESISTANCE TYPE
MATERIAL - FINISH -		APPLICATION SPEC	108-60071
		SIZE	114-13154
		WEIGHT	A1 00779 C=1932031
		CUSTOMER DRAWING	SCALE -- SHEET 4 OF 4 REV C8

# Mouser Electronics

Authorized Distributor

Click to View Pricing, Inventory, Delivery & Lifecycle Information:

[TE Connectivity:](#)

[1-1932031-1](#)