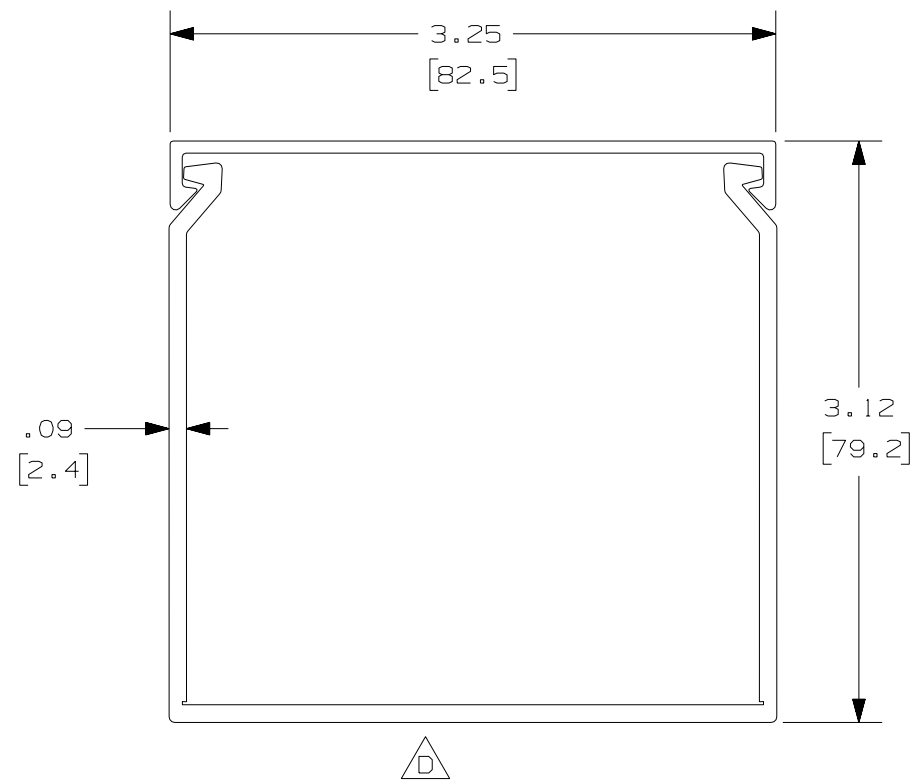




COVER - - PART NUMBER
C3**6



DUCT - - PART NUMBER
FS3X3**6NM



NOTES:

1. ALL DIMENSIONS ARE REFERENCE ONLY.
2. DIMENSIONS IN PARENTHESIS ARE METRIC.
3. THE ** DENOTE COLOR.
4. DUCT AND COVER ARE AVAILABLE IN 6 FT [1828.8] LENGTHS.

REV	DATE	BY	CHK	DESCRIPTION
--	-----	---	----	E. ADDED LENGTH NOTE
2	8-6-07	JCSTMKBE		D. DIMENSION DELETED C. DIMENSION ADDED
1	10-6-05	JCSTMKBE		B. CHANGED DRAWING SIZE A. ADDED SIDE & TOP VIEWS, NOTES, AND LABELS
R	10-2-03	JHNU JGG		DRAWING RELEASED

CAD FILENAME/LAYERS		D11000FM_DC_03B	
PANDUIT CORP. TINLEY PARK, ILLINOIS			
WIRING DUCT - TYPE FS DUCT WITH COVER 3 X 3 MARKETING DRAWING			
DRWN BY JHNU	MAT'L: PVC	SCALE FULL	DWG C
DATE 10-2-03	CHECKED BY JGG	DRAWING NO. 36897-903	SIZE C

Mouser Electronics

Authorized Distributor

Click to View Pricing, Inventory, Delivery & Lifecycle Information:

Panduit:

[FS3X3LG6NM](#) [FS3X3LG6](#) [FS3X3BL6NM](#) [FS3X3WH6NM](#)