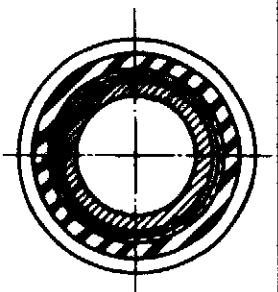
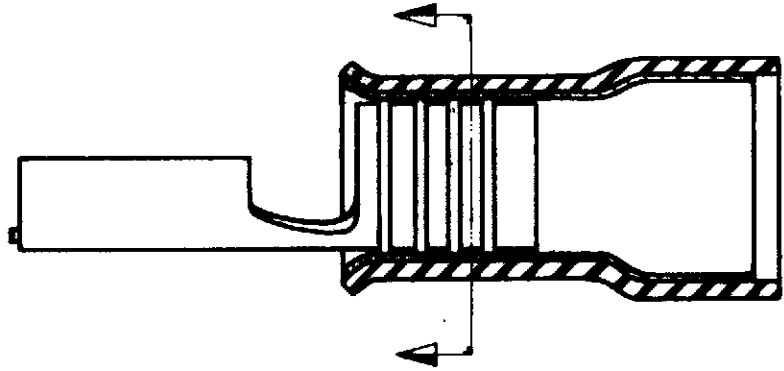
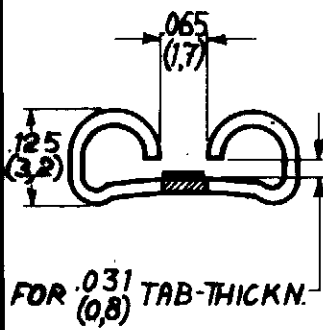
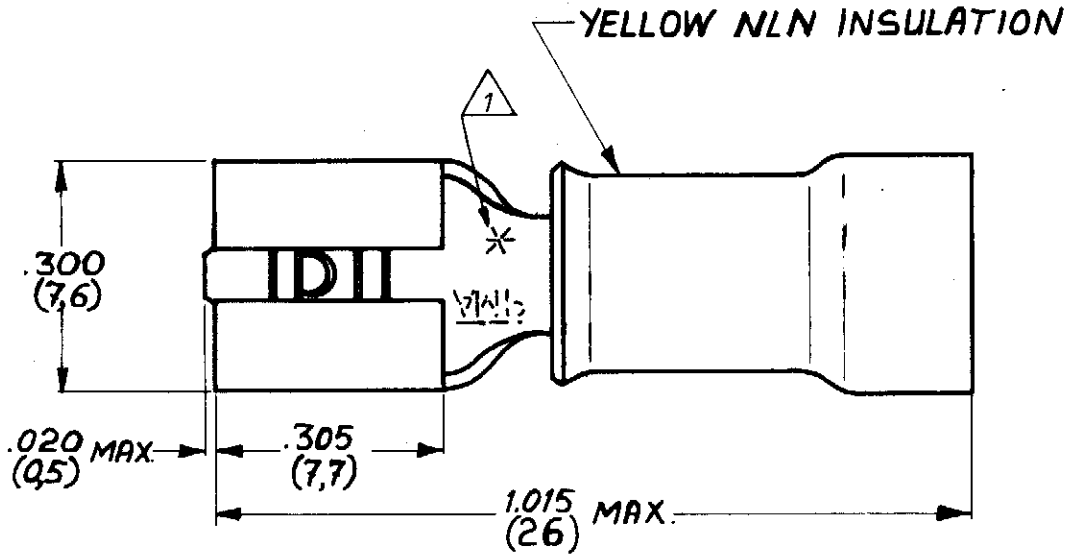


DRAWING MADE IN AMERICAN PROJECTION

P	LTR	DESCRIPTION	DATE	DWN	APVD
	K3	REVISED PER ECO-11-004820	11MAR11	RK	HMR

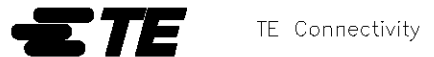
NUMBER C-160314



- △ ASTERISK \* FOR PH.BRONZE VERSION ONLY.
- △ OBSOLETE - NO REPLACEMENT
- 3 DIMENSIONS IN ( ) ARE IN MM.

RECEPTACLE MATERIAL THICKN.: <sup>.018</sup>(0.45)

**CUSTOMER COPY FOR REFERENCE ONLY**



△ 2-160314-5	160314-5 MOUNTED ON TAPE	
160314-8	PH. BRONZE	TIN-LEAD
160314-5	PHOS. BRONZE	PRE-TINNED
△ 2-160314-2	160314-2 MOUNTED ON TAPE	
△ 160314-4	BRASS	GOLD
160314-2		TIN
ORDER NO.	MATERIAL	PLATING
DR. R. N. ISSER 4/4-71	DATE	DE DATE
CHK	DATE	APP DATE

WIRE-RANGE 4-6 mm <sup>2</sup>	INSUL.-RANGE 2.50 MAX. DIA (6.3)	Tol ±.015 2 PLC ±(0.38)
SCALE	SIZE A	NO C-160314
NAME 250 Ser. PIDG FASTON RECEPTACLE		REV K3

DIMENSIONS IN ( ) DO NOT SCALE PRINT

# Mouser Electronics

Authorized Distributor

Click to View Pricing, Inventory, Delivery & Lifecycle Information:

[TE Connectivity:](#)

[160314-5](#)