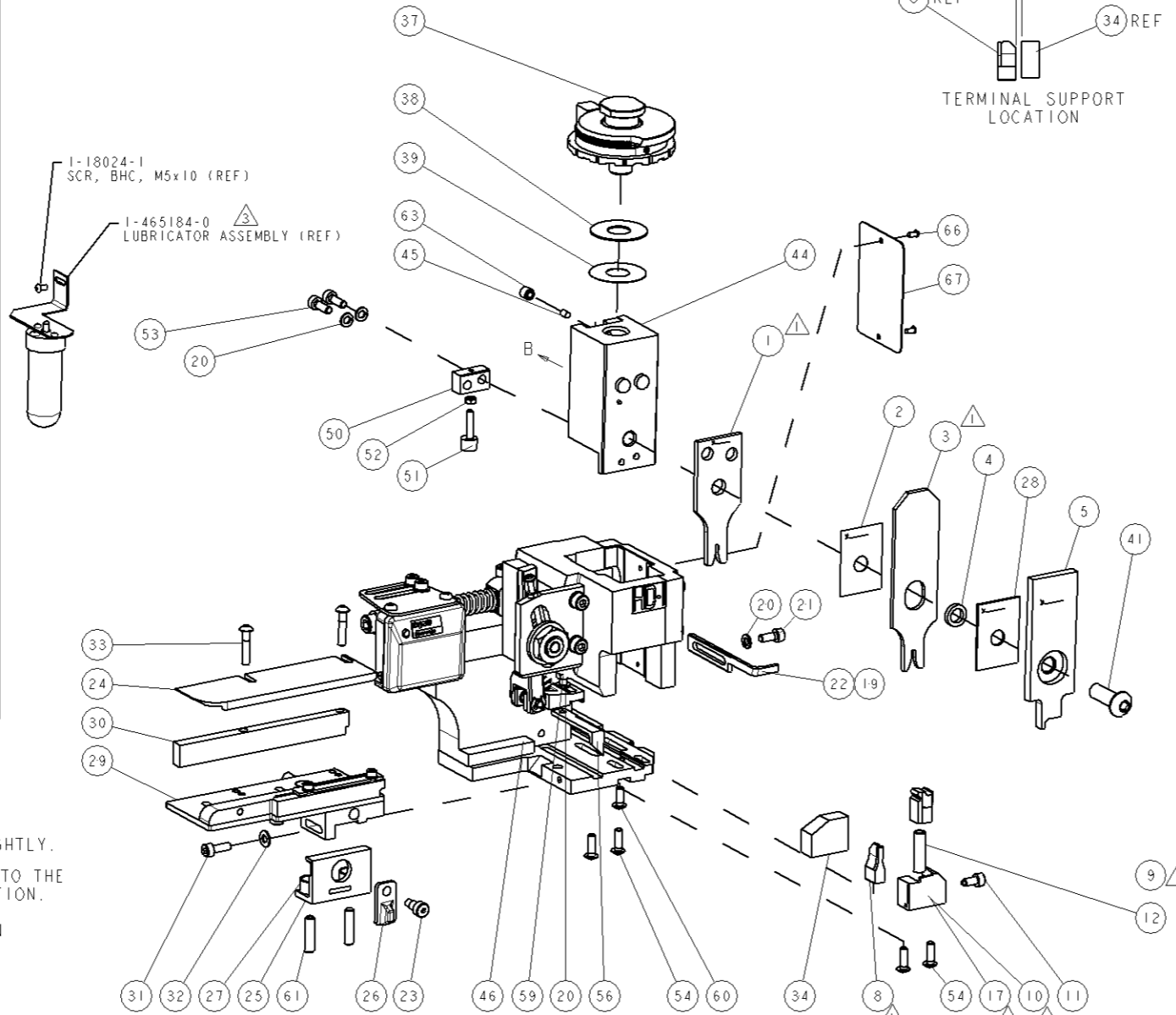
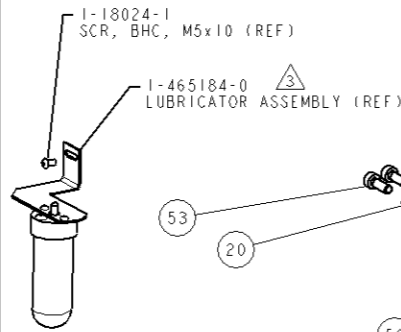


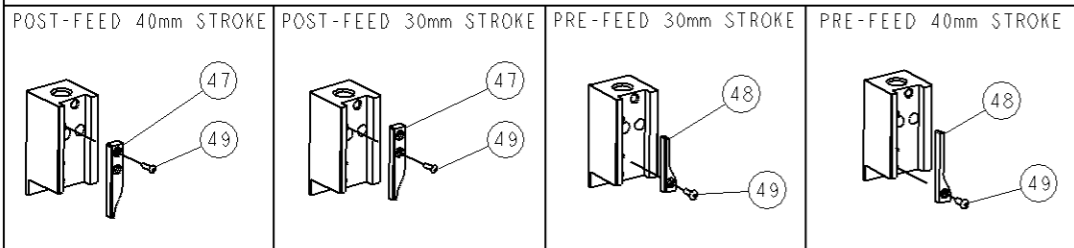
PART NUMBER	REV	TERMINATOR	FEED TYPE	DESCRIPTION
1530019-1	A	LEADMAKER	MECH POST FEED	CUTS CARRIER
1530019-2	A	BENCH	MECH PRE FEED	CUTS CARRIER
1530019-6	A	LEADMAKER	MECH POST FEED	CONTINUOUS CARRIER
7-1530019-1	A	LEADMAKER	MECH POST FEED	-1 AND SPARE PARTS
7-1530019-2	A	BENCH	MECH PRE FEED	-2 AND SPARE PARTS
7-1530019-6	A	LEADMAKER	MECH POST FEED	-6 AND SPARE PARTS
7-1530019-7	A	-	-	SPARE PARTS KIT

CRIMP DATA		TE TERMINAL	TE CRIMP SPECS
TERMINAL NAME: PIN, .060 DIA, AUTOMOTIVE			
CRIMP	SIZE	TYPE	RANGE
WIRE	1.57 [.062 IN]	F	18 - 22 AWG
INSUL	2.79 [.110 IN]	F	2.794 [.110 IN] MAX
WIRE STRIP LENGTH 3.9-4.7 [.154-.185 IN]		APPL INSTRUCTIONS 408-8322 & 408-8490	
TERMINAL APPL SPEC		114-3118	FEED 9.14 [.360 IN]
TERMINALS APPLIED			
PIN	SOCKET		
61062	61064	-	-
61366	170087	-	-
770381	-	-	-
WIRE SIZE	CRIMP HEIGHT	REF SETTING	
18 AWG	1.07 ± 0.05 [.042 ± .002 IN]	B2	
20 AWG	.91 ± 0.05 [.036 ± .002 IN]	C3	
22 AWG	.84 ± 0.05 [.033 ± .002 IN]	C8	

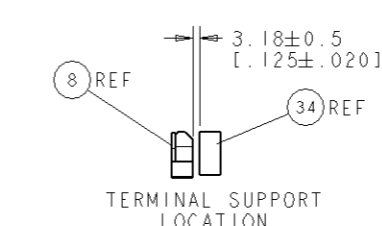
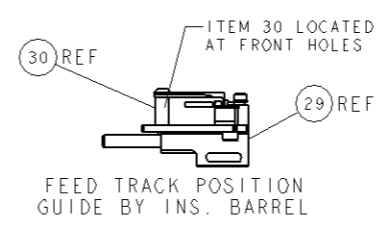


\* WARNING  
ON INSTALLATION, SET WIRE DISC TO LARGEST WIRE SIZE SETTING. USE OF SETTINGS BELOW MIN. REQUIRED CRIMP HEIGHT SETTING WILL CAUSE DAMAGE TO CRIMP TOOLING.

VIEW B ROTATED 180°



PART NO	DESCRIPTION	ITEM NO
-77	-	84
-76	-	83
-72	-	82
-71	-	81
-6	-	80
-2	-	79
-1	-	78
-	-	77
-	-	76
-	-	75
-	-	74
-	-	73



SET UP GAGE  
458637-3

REVISIONS				
REV	DATE	BY	CHKD	APPD
A	070C12008	DM	DM	
A2	24FEB2009	SZ	SX	

-	-	-	-	-	-	-	-	-	-	73		
-	-	-	-	-	-	-	-	-	-	72		
-	1	1	1	1	1	1	1	1	1	1338705-3	DOCUMENTATION PACKAGE	71
-	-	-	-	-	-	-	-	-	-	-	-	70
-	-	-	-	-	-	-	-	-	-	-	-	69
-	-	-	-	-	-	-	-	-	-	-	-	68
-	1	1	1	1	1	1	1	1	1	461264-5	PLATE, IDENTIFICATION	67
-	2	2	2	2	2	2	2	2	2	21017-2	SCREW, DRIVE	66
-	-	-	-	-	-	-	-	-	-	-	-	65
-	-	-	-	-	-	-	-	-	-	-	-	64
-	1	1	1	1	1	1	1	1	1	3-18031-0	SCR. SET, CUP POINT M6 X 6.0	63
-	-	-	-	-	-	-	-	-	-	-	-	62
-	2	2	2	2	2	2	2	2	2	2-18032-5	SCR. SET, FLT POINT M5 X 20.0	61
-	1	1	1	1	1	1	1	1	1	18024-7	SCR. BTN SKT HD CAP (M4 X 10.0)	60
-	1	1	1	1	1	1	1	1	1	5-18022-2	SCR. HEX HD CAP M4 X 8.0	59
-	-	-	-	-	-	-	-	-	-	-	-	58
-	-	-	-	-	-	-	-	-	-	-	-	57
-	1	1	1	1	1	1	1	1	1	1338685-1	PAWL, FEED	56
-	-	-	-	-	-	-	-	-	-	-	-	55
-	4	4	4	4	4	4	4	4	4	18024-8	SCR. BTN SKT HD CAP (M4 X 12.0)	54
-	2	2	2	2	2	2	2	2	2	1-18023-2	SCR. SKT HD CAP M4 X 12.0	53
-	1	1	1	1	1	1	1	1	1	18030-1	NUT, HEX, REG M3	52
-	1	1	1	1	1	1	1	1	1	811242-5	BUMPER, HOLD DOWN	51
-	1	1	1	1	1	1	1	1	1	690753-2	SPACER, TONKER	50
-	1	1	1	1	1	1	1	1	1	18024-3	SCR. BTN SKT HD CAP (M3 X 10.0)	49
-	-	-	-	-	-	-	-	-	-	1338675-1	CAM, UNIVERSAL PRE FEED	48
-	1	-	1	1	-	1	-	1	-	1338676-1	CAM, UNIVERSAL POST-FEED	47
-	1	1	1	1	1	1	1	1	1	1320999-3	APPLICATOR SUBASSEMBLY, HDI	46
-	1	1	1	1	1	1	1	1	1	690191-1	PLUG, NYLON	45
-	1	1	1	1	1	1	1	1	1	1338660-1	RAM	44
-	-	-	-	-	-	-	-	-	-	-	-	43
-	-	-	-	-	-	-	-	-	-	-	-	42
-	1	1	1	1	1	1	1	1	1	2-18024-6	SCR. BTN SKT HD CAP (M8 X 25.0)	41
-	-	-	-	-	-	-	-	-	-	-	-	40
-	1	1	1	1	1	1	1	1	1	690125-1	SHIM SUB-ASSY	39
-	1	1	1	1	1	1	1	1	1	469367-8	SHIM	38
-	1	1	1	1	1	1	1	1	1	879103-3	FINE ADJUST HEAD ASSEMBLY	37
-	-	-	-	-	-	-	-	-	-	-	-	36
-	-	-	-	-	-	-	-	-	-	-	-	35
-	1	1	1	1	1	1	1	1	1	1320934-1	SUPPORT, TERMINAL	34
-	2	2	2	2	2	2	2	2	2	1-18024-0	SCR. BTN SKT HD CAP (M4 X 20.0)	33
-	1	1	1	1	1	1	1	1	1	18027-2	WASHER, FLAT, REG M4	32
-	1	1	1	1	1	1	1	1	1	1-18023-2	SCR. SKT HD CAP M4 X 12.0	31
-	1	1	1	1	1	1	1	1	1	1320908-1	SPACER, STRIP GUIDE	30
-	1	1	1	1	1	1	1	1	1	1633073-1	STRIP GUIDE ASSEMBLY	29
-	1	1	1	1	1	1	1	1	1	1-455888-0	SPACER, CRIMPER	28
-	2	2	2	2	2	2	2	2	2	1-22284-0	SPRING, COMPRESSION	27
-	1	1	1	1	1	1	1	1	1	356835-1	LEVER, DRAG RELEASE	26
-	1	1	1	1	1	1	1	1	1	240792-1	DRAG, TERMINAL	25
-	1	1	1	1	1	1	1	1	1	1320928-1	PLATE, STRIP GUIDE	24
-	1	1	1	1	1	1	1	1	1	980371-4	SCR. SKT HD SHLDR 5.0 DIA X 6.0	23
-	1	-	1	1	-	1	-	1	-	690472-2	STRIPPER	22
-	1	1	1	1	1	1	1	1	1	1-18023-1	SCR. SKT HD CAP M4 X 10.0	21
-	4	4	4	4	4	4	4	4	4	18025-2	WASHER, SPRG LOCK, REG M4	20
-	-	-	-	-	-	-	-	-	-	690472-1	STRIPPER	19
-	-	-	-	-	-	-	-	-	-	-	-	18
-	1	-	-	-	-	-	-	-	-	1338684-1	SHEAR HOLDER, FRONT	17
-	-	-	-	-	-	-	-	-	-	-	-	16
-	-	-	-	-	-	-	-	-	-	-	-	15
-	-	-	-	-	-	-	-	-	-	-	-	14
-	-	-	-	-	-	-	-	-	-	-	-	13
-	1	1	1	1	1	1	1	1	1	3-22280-3	SPRING, COMPRESSION	12
-	1	1	1	1	1	1	1	1	1	356885-4	STOP, SHEAR	11
-	-	1	1	-	1	1	-	1	1	1320921-1	SHEAR HOLDER, FRONT, CUT	10
-	1	1	1	1	1	1	1	1	1	462006-1	FLOATING SHEAR, FRONT	9
-	1	2	2	2	1	1	1	1	1	1633129-1	ANVIL, COMBINATION .062	8
-	-	-	-	-	-	-	-	-	-	-	-	7
-	-	-	-	-	-	-	-	-	-	-	-	6
-	1	1	1	1	1	1	1	1	1	2-455889-0	DEPRESSOR, SHEAR	5
-	1	1	1	1	1	1	1	1	1	238011-4	BLOCK, CRIMPER SPACER	4
-	1	2	2	2	1	1	1	1	1	6-456134-5	CRIMPER, INSULATION F PREMIUM	3
-	1	1	1	1	1	1	1	1	1	455888-1	SPACER, CRIMPER	2
-	1	2	2	2	1	1	1	1	1	1-456403-5	CRIMPER, WIRE PREMIUM	1

PART NO	DESCRIPTION	ITEM NO
-77	-	84
-76	-	83
-72	-	82
-71	-	81
-6	-	80
-2	-	79
-1	-	78
-	-	77
-	-	76
-	-	75
-	-	74
-	-	73

# Mouser Electronics

Authorized Distributor

Click to View Pricing, Inventory, Delivery & Lifecycle Information:

[TE Connectivity:](#)

[1530019-6](#)