

# EC centrifugal fans - RadiCal®

Series R3G220 RD Ø220 mm



### Highlights:

- Backward curved
- 7-blade impeller, single phase motor
- Output 10 VDC, max. 1.1 mA, Tach output, Control input 0-10 VDC / PWM
- Motor current limit, Soft start, Locked-rotor protection, Over temperature protected electronics / motor
- Mounting position: Any
- Condensate discharge holes: None, open rotor
- Ingress protection of IP54

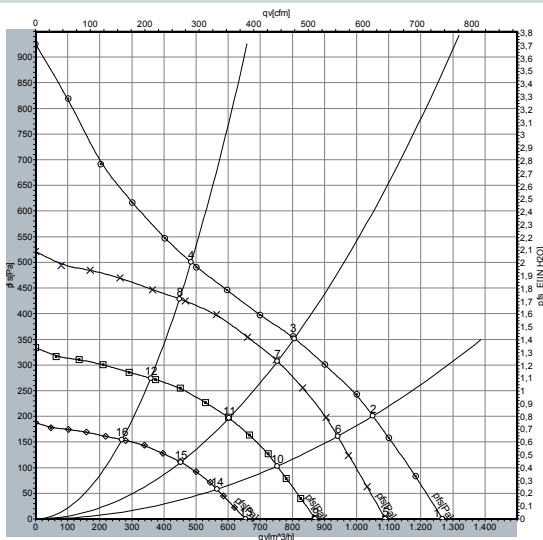
**Material:** Fiberglass reinforced composite  
Impeller: PA

**Direction of rotation:** Clockwise, seen on rotor

Nominal Data	Air flow	Nominal voltage	Voltage range	Hertz	Ball bearings	Power input	Speed (1)	Temperature range (1)	Mass	Ingress Protection Rating	UL
	CFM	VAC	VAC			Watts	RPM	°C	g		
R3G220-RD49-04	771.0	115	100...130	50/60	Yes	170	3,290	-25...50	1,500	IP54	Yes
R3G220-RD53-03	747.5	230	200...240	50/60	Yes	168	3,230	-25...45	1,450	IP54	Yes

(1) Nominal data at operating point with maximum load.

### R3G220-RD49-04 Curves



Measurement: LU-142152

Air performance measured as per: ISO 5801, Installation category A, without protection against accidental contact.

Suction-side noise levels: LwA as per ISO 13347, LPA measured at 1m distance to fan axis.

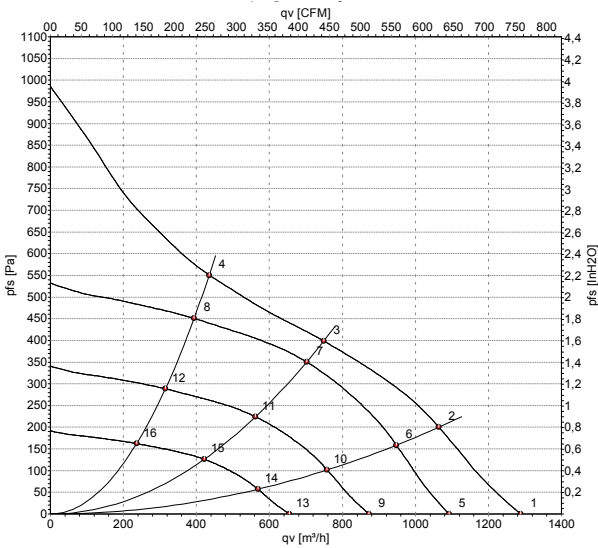
The values given are valid under the measuring conditions mentioned and may vary according to the actual installation situation.

With any deviation to the standard set-up, the specific values have to be checked and reviewed once installed or fitted.

For detailed information on the measuring set-up, please contact ebm-papst.

	n rpm	Pe W	I A (115V)	LwA dB(A)
(A) 1	3620	170	2.40	77
(A) 2	3470	170	2.40	73
(A) 3	3290	170	2.40	70
(A) 4	3355	170	2.40	72
(A) 5	3000	97	1.24	74
(A) 6	3000	112	1.43	70
(A) 7	3000	130	1.66	68
(A) 8	3000	120	1.55	70
(A) 9	2400	49	0.63	69
(A) 10	2400	57	0.73	66
(A) 11	2400	67	0.85	64
(A) 12	2400	62	0.79	66
(A) 13	1800	21	0.27	62
(A) 14	1800	24	0.31	59
(A) 15	1800	28	0.36	57
(A) 16	1800	26	0.34	59

### R3G220-RD53-03 Curves



Measurement: LU-132488

Air performance measured as per: ISO 5801, Installation category A, without protection against accidental contact.

Suction-side noise levels: LWA as per ISO 13347, LPA measured at 1m distance to fan axis.

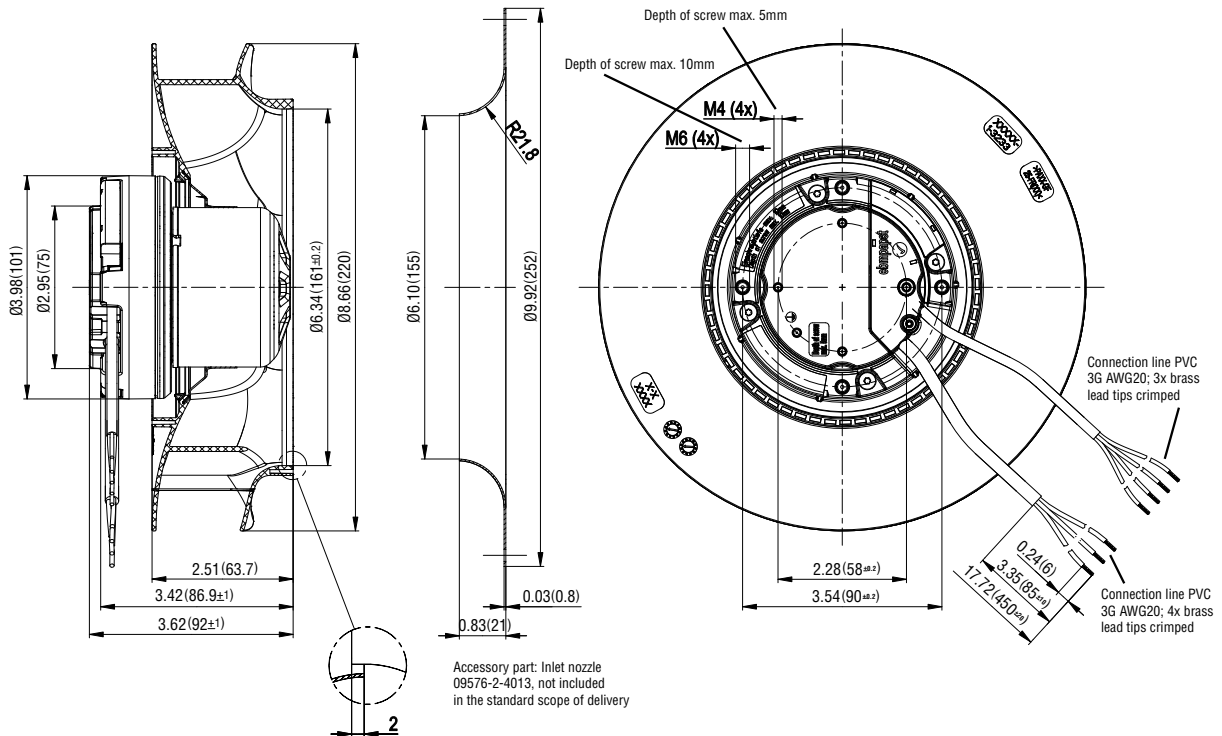
The values given are valid under the measuring conditions mentioned and may vary according to the actual installation situation.

With any deviation to the standard set-up, the specific values have to be checked and reviewed once installed or fitted.

For detailed information on the measuring set-up, please contact ebm-papst.

	n	Pe	I	LwA
	rpm	W	A (230V)	dB(A)
ⓑ 1	3540	168	1.40	78
ⓑ 2	3370	168	1.40	73
ⓑ 3	3230	168	1.40	70
ⓑ 4	3310	168	1.40	74
ⓑ 5	3000	99	0.82	73
ⓑ 6	3000	115	0.96	70
ⓑ 7	3000	135	1.12	68
ⓑ 8	3000	121	1.01	70
ⓑ 9	2400	51	0.42	68
ⓑ 10	2400	59	0.49	64
ⓑ 11	2400	69	0.57	63
ⓑ 12	2400	62	0.51	65
ⓑ 13	1800	21	0.18	61
ⓑ 14	1800	25	0.21	57
ⓑ 15	1800	29	0.24	55
ⓑ 16	1800	26	0.22	58

### R3G220-RDXX-XX



# Mouser Electronics

Authorized Distributor

Click to View Pricing, Inventory, Delivery & Lifecycle Information:

[ebm-papst:](#)

[R3G220-RD49-04](#) [R3G220-RD53-03](#)