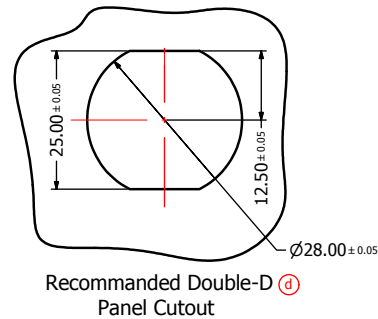
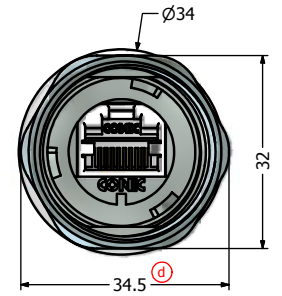
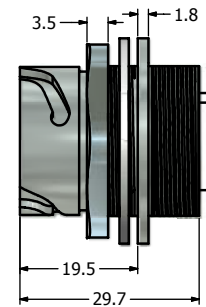
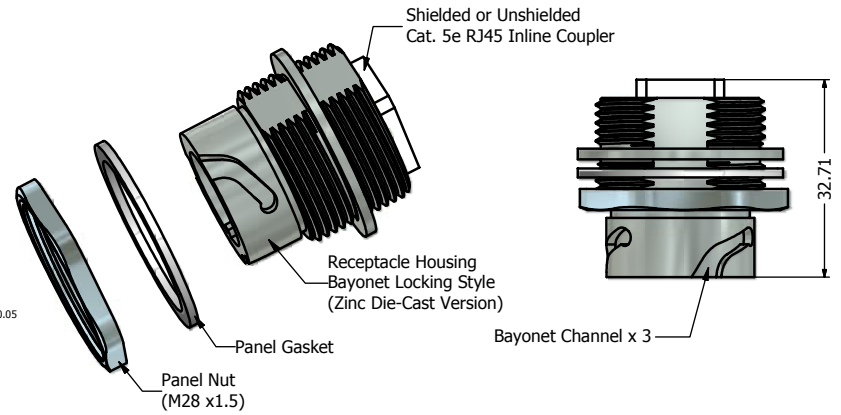


Recommended Single-D Panel Cutout



Recommended Double-D Panel Cutout



Notes:

1. Electrical Specifications:
 - Meets EIA/TIA-568-B.2 Cat.5e Specification
 - Contact Resistance: 20mOhm max.
 - Insulation Resistance: 500MOhm min. @ 100 VDC
 - Current Rating: 1.2A max. at 25° C
 - Working Voltage: 100 VDC
 - DWV: 1000 VDC/60s Contact to Contact, 1500 VDC/60s Contact to Metal Shell
 - Operating Temperature: -40° C to +85° C
2. Material and Finish:
 - Receptacle Housing & Protective Cover: Zinc Die-Cast, Finish: Nickel Plated
 - Ball Chain Assembly: Copper Alloy and Stainless Steel, Nickel Plated
 - Panel Nut: Brass, Finish: Nickel Plated
 - Panel Gasket: Silicon, Color: White
 - Cover Gasket: Silicon, Color: White
 - RJ45 Jack Metal Shell: Copper Alloy, Nickel Plated
 - RJ45 Jack Plastic Housing: Glass filled PBT UL94 V-0, Color: Black
 - RJ45 Jack Contacts: Phosphor Bronze, Finish: 50u" Gold min. over Nickel
3. Connector can be front or rear mounted to a maximum panel thickness of 3.2mm.
4. IP67 rated when covered or fully mated with the appropriate mating connector
5. RoHS compliant

Directive 2002/95/EC RoHS Compliant

(C) (D)	Description	Part Number
	Nickel Plated Zinc Die-Cast with Shielded Cat5e Coupler & Protective Cover	17-101814
	Nickel Plated Zinc Die-Cast with Unshielded Cat5e RJ45 Coupler & Protective Cover	17-101824

THIS DRAWING MAY NOT BE COPIED, REPRODUCED, OR REPRODUCED IN ANY WAY AND MAY NOT BE PASSED ON TO A THIRD PARTY WITHOUT WRITTEN PERMISSION. OWNERSHIP AND COPYRIGHT OF CONEC CORPORATION. DO NOT ALTER CAD DRAWING BY HAND	Customer:		Tolerance Unless otherwise specified			Scale: 1:2:1	Dim. in mm
	Name	Title	Approval Date	0 PLC ±0.50 1 PLC ±0.38 2 PLC ±0.25 3 PLC ±0.10 ANGLES ±3		Autodesk Inventor	Material: See Notes
				2009	Date	Name	Title: Jack Receptacle & Cover Kit with Cat. 5e RJ45 Inline Coupler Nickel Plated Zinc Die-Cast Version
				Draw.	Dec. 07	Vincent Ke	
				Appd.	Dec. 07	J. Chaudry	
d	Feb/23/2011	Vincent Ke	Norm			Drawing No.: 17K1A149	DIN A3
c	Dec/16/2010	Vincent ke	D-old				Part No.: SEE P/N TABLE
b	Jan/28/2010	Vincent Ke					
a	original						
Rev.	Changes	Date	Name	CONEC			

Mouser Electronics

Authorized Distributor

Click to View Pricing, Inventory, Delivery & Lifecycle Information:

[CONEC:](#)

[17-101824](#)