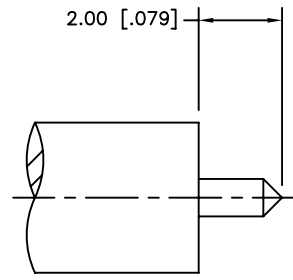
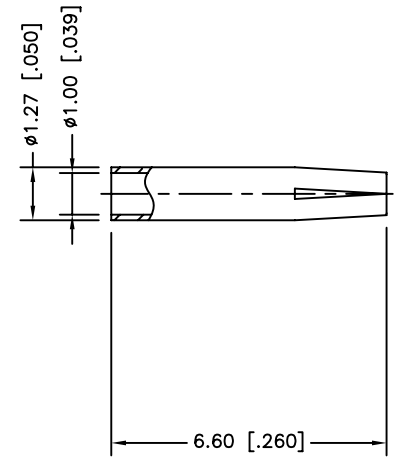
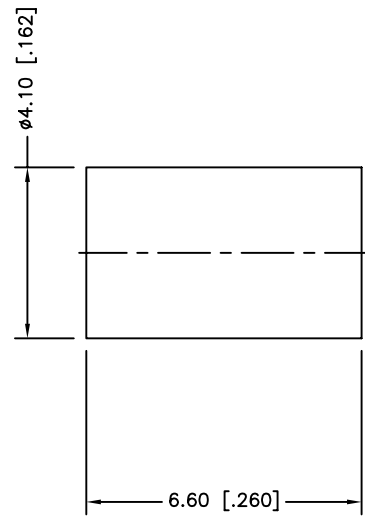
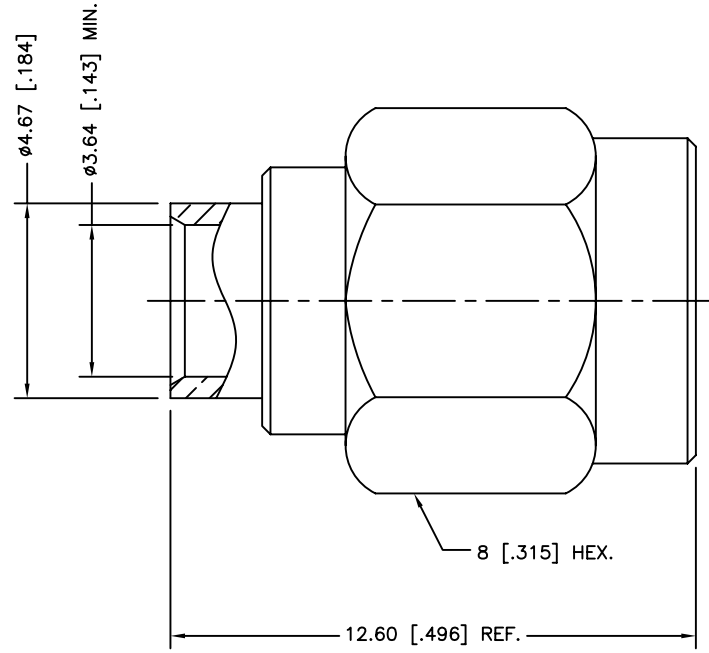


REV.	DATE	ECR NO.	DESCRIPTION
A	03/06/05	XXXXXX	UPDATE DRAWING FORMAT
B	04/21/12	XXXXXX	ADD NOTES



RECOMMENDED
CABLE STRIPPING DIM'S



1. IMPEDANCE: 50 OHM
2. FREQUENCY RANGE: DC 0-18 GHz
3. VSWR(RETURN LOSS): 1.3, MAX.
4. DIELECTRIC WITHSTANDING VOLTAGE: 750 VRMS, MIN.
5. CONTACT PIN TO SOLDER

DESCRIPTION	MATERIAL	FINISH	QTY
6 CONTACT PIN	BERYLLIUM COPPER	GOLD	1
5 INSULATOR	PTFE	NATURAL	1
4 GASKET	SILICON RUBBER	RED	1
3 RETAINING RING	SUS 304	NATURAL	1
2 BODY	BRASS	GOLD	1
1 SHELL	BRASS	GOLD	1

UNLESS OTHERWISE SPECIFIED DIMENSIONS ARE IN MILLIMETERS; DIMENSIONS IN [] ARE IN INCHES AND FOR CUSTOMER REFERENCE ONLY.

UNLESS OTHERWISE SPECIFIED TOLERANCES FOR MILLIMETERS ARE:
0.5 - 8mm ± 0.20mm
8 - 30mm ± 0.40mm
30 - 120mm ± 0.50mm

UNLESS OTHERWISE SPECIFIED TOLERANCES FOR INCHES ARE:
.020 - .315 = ± 0.007"
.315 - 1.180 = ± 0.015"
1.180 - 4.724 = ± 0.020"

DO NOT SCALE DRAWING

APPROVALS	DATE
DRAWN M.ZHANG	04/21/12
CHECKED	
ISSUED	
SHEET 1 OF 1	
CAD FILE C:/CONNEX/132102RP.DWG	

Amphenol Connex

PART DESCRIPTION
**SMA REVERSE POLARITY STRAIGHT PLUG
(FOR .141" SEMI-RIGID CABLE)**

PART NO.
132102RP

DWG. NO. 132102RP.DWG REV. B SIZE A SCALE NA

Mouser Electronics

Authorized Distributor

Click to View Pricing, Inventory, Delivery & Lifecycle Information:

[Amphenol:](#)

[132102RP](#)