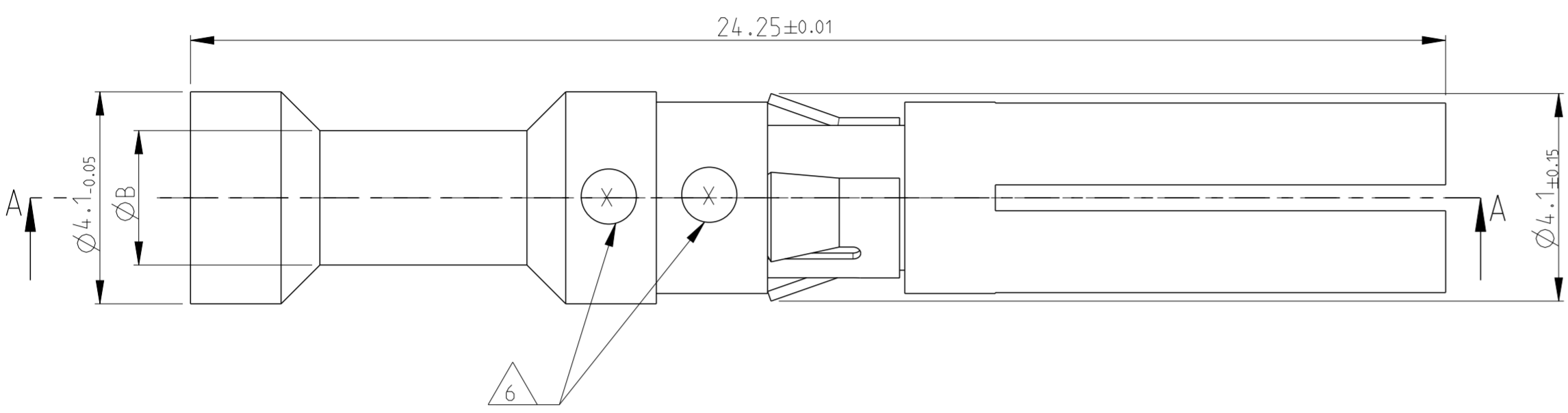


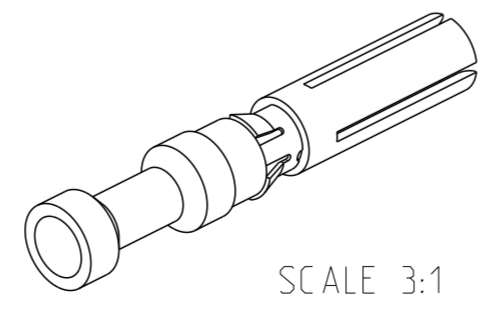
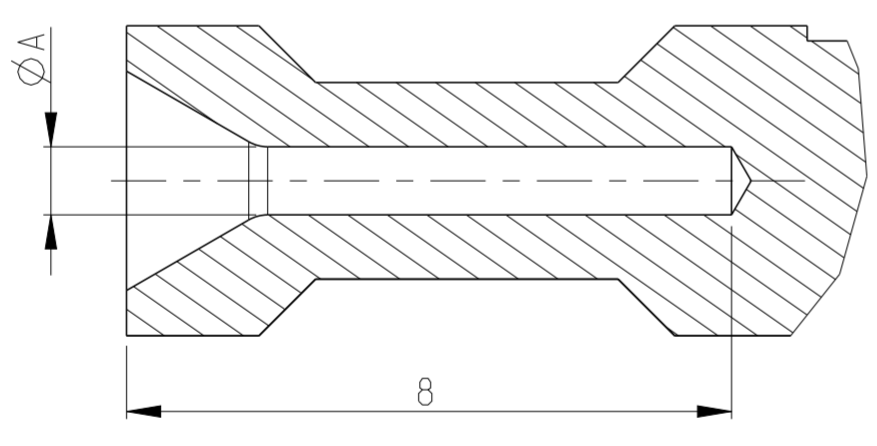
THIS DRAWING IS UNPUBLISHED. RELEASED FOR PUBLICATION  
 © COPYRIGHT - ALL RIGHTS RESERVED.

REVISIONS						
LOC	DIST	P	LTR	DESCRIPTION	DATE	APVD
A1	-	G2		REVISED PER ECO-11-005150	31MAR2011	RK HMR
		G3		ECR-16-016696	31AUG2017	GR MKO



- NOTES
- 1 MATERIAL SEE TABLE
  - 2 SURFACE SEE TABLE
  - 3 ASSEMBLY WEIGHT SEE TABLE
  - 4 PACKAGING: 50 PIECES IN POLYBAG
  - 5 PACKAGING: 500 PIECES IN POLYBAG & CARTON
  - 6 CROSS-SECTION MARKING
  - 7 NO VENTILATION HOLE REQUIRED AT CROSS SECTION >4.0mm<sup>2</sup>
  - 8 SUITABLE PIN CONTACT: PN 1105300
  - 9 SUITABLE INSERTS: SERIES HVT
  - 10 SUITABLE CRIMP TOOL: PN 1-1105851-8
  - 11 SUITABLE INSERTION TOOL: PN 0-1102855-6
  - 12 SUITABLE EXTRACTION TOOL: PN 0-1102855-3
  - 13 STANDARDS: DIN EN 61984, DIN EN 60664-1

SECTION A-A



OBSOLETE													ASSEMBLY WEIGHT IN (Kg) 3										
0.00142	0.00144	0.00148	0.00145	0.00149	0.00150	0.00144	0.00148	0.00133	0.00142	0.00144	0.00148	0.00145	0.00149	0.00150				1					
1	1	1	1	1	1	1	1	1	1	1	1	1	1	1	Socket Contact 4.0 mm <sup>2</sup>								
															Socket Contact 2.5 mm <sup>2</sup>								
															Socket Contact 1.5 mm <sup>2</sup>								
															Socket Contact 0.75-1.0 mm <sup>2</sup>								
															Socket Contact 0.5 mm <sup>2</sup>								
															Socket Contact 0.13-0.4 mm <sup>2</sup>								
															Socket Contact 14 AWG								
															Socket Contact 12 AWG								
															Socket Contact 10 AWG								
															Socket Contact 4.0 mm <sup>2</sup>								
															Socket Contact 2.5 mm <sup>2</sup>								
															Socket Contact 1.5 mm <sup>2</sup>								
															Socket Contact 0.75-1.0 mm <sup>2</sup>								
															Socket Contact 0.5 mm <sup>2</sup>								
															Socket Contact 0.13-0.4 mm <sup>2</sup>								
5-2	4-2	3-2	2-2	1-2	6-2	8-2	9-1	7-2	5-1	4-1	3-1	2-1	1-1	6-1	DESCRIPTION			MATERIAL 1	SURFACE 2	ØA	ØB	CROSS SECTION MARKING 6	ITEM NO
5-9	4-9	3-9	2-9	1-9	6-9	8-8	9-8	7-8	5-8	4-8	3-8	2-8	1-8	6-8	ORDERING TEXT								
HVT-C-Bu-Au-4.0 mm <sup>2</sup>	HVT-C-Bu-Au-2.5 mm <sup>2</sup>	HVT-C-Bu-Au-1.5 mm <sup>2</sup>	HVT-C-Bu-Au-0.75-1.0 mm <sup>2</sup>	HVT-C-Bu-Au-0.5 mm <sup>2</sup>	HVT-C-Bu-Au-0.13-0.4 mm <sup>2</sup>	HVT-C-Bu-Ag-AWG-14	HVT-C-Bu-Ag-AWG-12	HVT-C-Bu-Ag-AWG-10	HVT-C-Bu-Ag-4.0 mm <sup>2</sup>	HVT-C-Bu-Ag-2.5 mm <sup>2</sup>	HVT-C-Bu-Ag-1.5 mm <sup>2</sup>	HVT-C-Bu-Ag-0.75-1.0 mm <sup>2</sup>	HVT-C-Bu-Ag-0.5 mm <sup>2</sup>	HVT-C-Bu-Ag-0.13-0.4 mm <sup>2</sup>									

THIS DRAWING IS A CONTROLLED DOCUMENT.

DWN: G. WROBLEWSKI 04 SEP 2007  
 CHK: T. SCHNURPEITL 04 SEP 2007  
 APVD: T. SCHNURPEITL 04 SEP 2007

STE TE Connectivity

SOCKET CONTACT SERIES HVT

SIZE: A2 CAGE CODE: 100779 DRAWING NO: 1105301 RESTRICTED TO: -

CUSTOMER DRAWING SCALE: 10:1 SHEET: 1 OF 1 REV: G3

# Mouser Electronics

Authorized Distributor

Click to View Pricing, Inventory, Delivery & Lifecycle Information:

[TE Connectivity:](#)

[5-1105301-1](#)