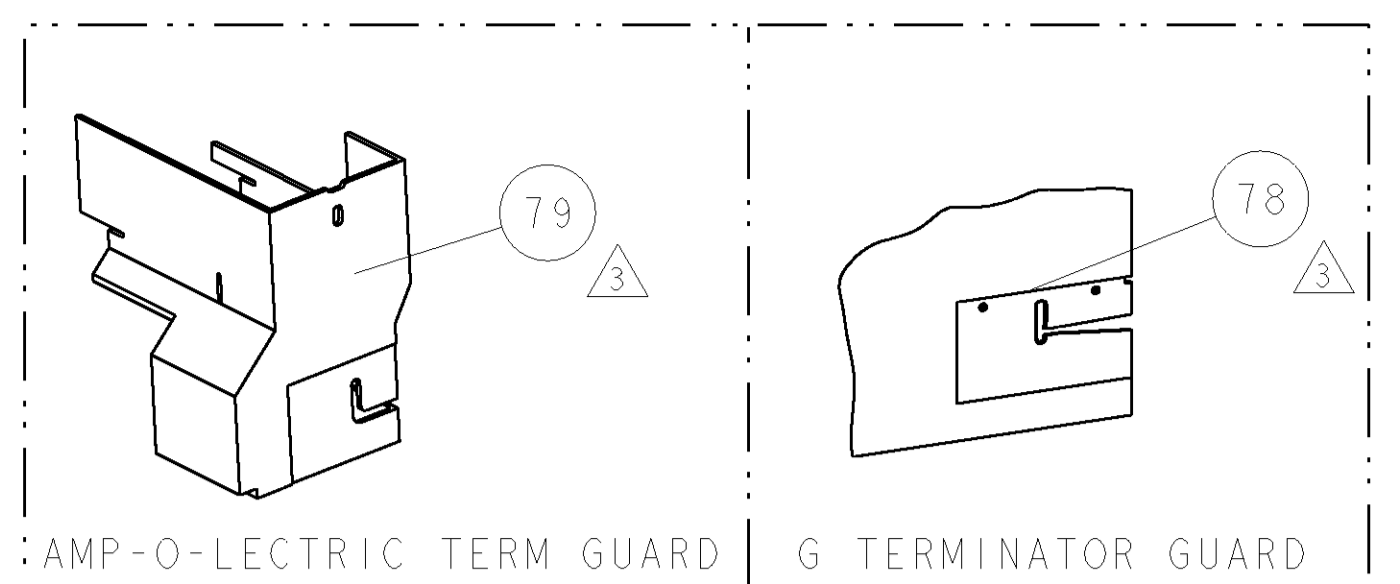
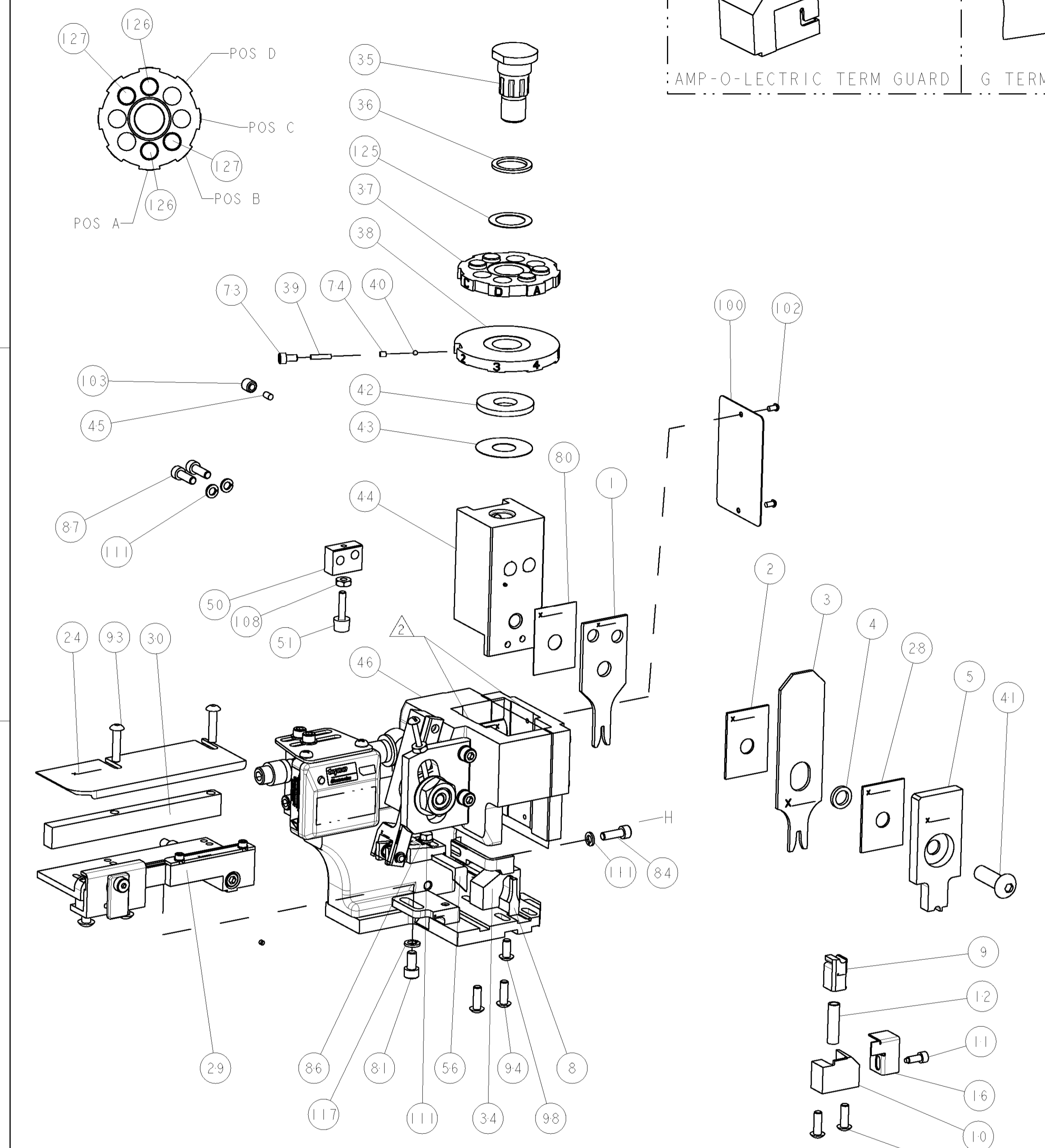


PART NUMBER	REV	FIRST USED	POWER UNIT	FEED TYPE
1852133-1	B	122500-1	LEADMAKER	POST FEED
1852133-2	B	565435-5	BENCH MODEL K	PRE FEED
1852133-3	B	354500-1	BENCH MODEL G	PRE FEED



TERMINAL NAME: FEMALE CONTACT					
TYCO PN	MANUF PN	HIROSE TERM - HIROSE CRIMP SPECS			
1572808-1	DF7-2022SCF				
1572927-1	DF7-2022PCF	PAD LTR	CRIMP HEIGHT	WIRE SIZE	
-	-	A	.038±.002 [.97±0.05mm]	20 AWG	
-	-	B	.035±.002 [.89±0.05mm]	22 AWG	
-	-	C	-	-	
-	-	D	-	-	
WIRE STRIP LENGTH	TERM APPL SPEC	FEED	APPL INSTRUCTIONS	SET UP GAGE	
.120 - .135	NONE	.433	408-8040	458637-1	

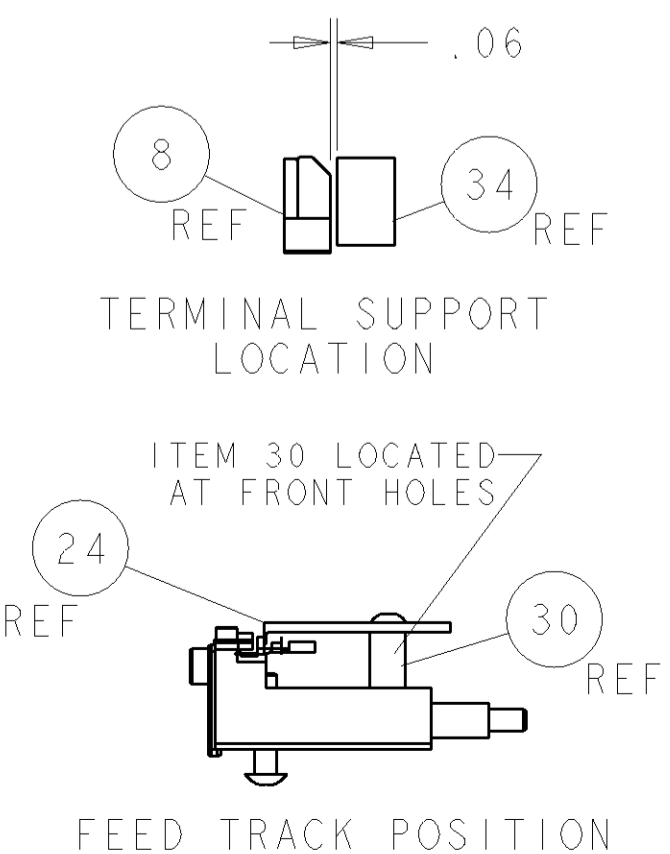
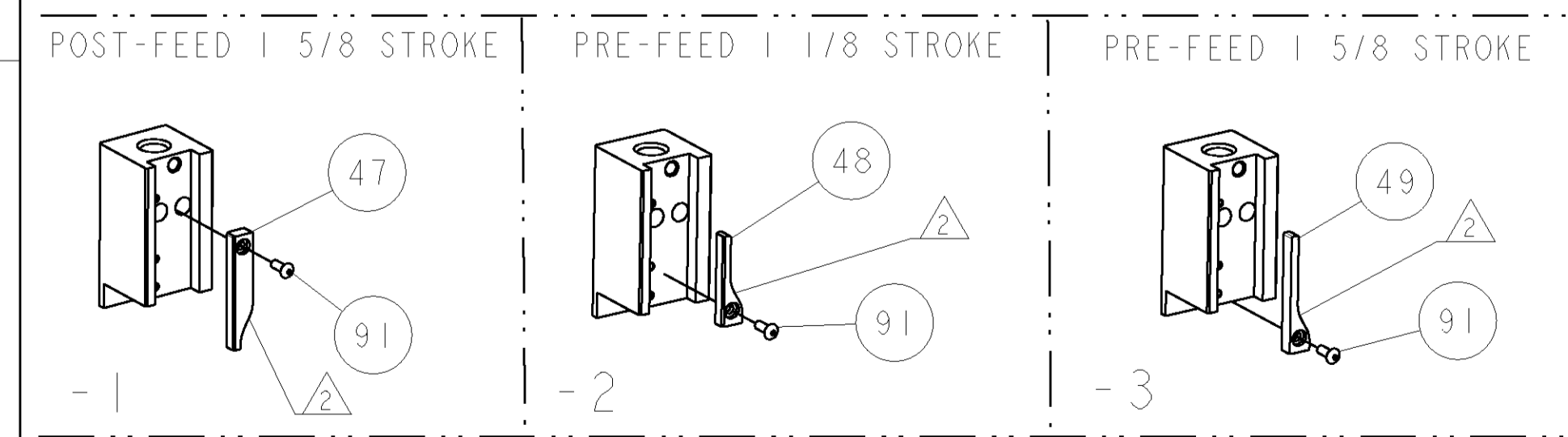
LOC	DIST	REVISIONS			
A	66	P LTR	DESCRIPTION	DATE	BY
		A	RELEASED	14OCT2005	MEH GB
		B	ECR 06-001301	17JAN2006	MEH GB



- 1 RECOMMENDED SPARE PARTS
- 2 GREASE LIGHTLY
- 3 GUARD MUST BE IN PLACE WHEN OPERATING APPLICATOR IN A BENCH MACHINE

-	-	-	-	-	-	129
-	-	-	-	-	-	128
2	2	2	-	4-354779-2	PIN, WIRE DISC, .3200	127
2	2	2	-	3-354779-7	PIN, WIRE DISC, .3175	126
1	1	1	-	986950-1	WASHER, FLAT PRECISION	125
1	1	1	-	217238-1	GENERAL INSTRUCTION PKG	124
1	1	1	-	4088040	SF APPL INST 408-8040	123
-	-	-	-	-	-	122
-	-	-	-	-	-	121
-	-	-	-	-	-	120
-	-	-	-	-	-	119
-	-	-	-	-	-	118
1	1	1	-	21024-5	WASHER, SPRG LOCK, REG NO 10	117
-	-	-	-	-	-	116
-	-	-	-	-	-	115
-	-	-	-	-	-	114
-	-	-	-	-	-	113
-	-	-	-	-	-	112
4	4	4	-	21024-4	WASHER, SPRG LOCK, REG NO 8	111
-	-	-	-	-	-	110
-	-	-	-	-	-	109
1	1	1	-	21018-5	NUT, HEX, REG 6-32	108
-	-	-	-	-	-	107
-	-	-	-	-	-	106
-	-	-	-	-	-	105
-	-	-	-	-	-	104
1	1	1	-	21009-2	SCR, SET, SELF LOCKING 1/4-20 X .250	103
2	2	2	-	21017-2	SCREW, DRIVE	102
-	-	-	-	-	-	101
1	1	1	-	461264-1	PLATE, IDENTIFICATION	100
-	-	-	-	-	-	99
1	1	1	-	22733-8	SCR, BHSC, SELF-LOCKING, 8-32 X .375	98
-	-	-	-	-	-	97
-	-	-	-	-	-	96
-	-	-	-	-	-	95
4	4	4	-	2-21002-2	SCR, BTN SKT HD CAP 8-32 X .500	94
2	2	2	-	2-21002-4	SCR, BTN SKT HD CAP 8-32 X .750	93
-	-	-	-	-	-	92
1	1	1	-	1-21002-7	SCR, BTN SKT HD CAP 6-32 X .375	91
-	-	-	-	-	-	90
-	-	-	-	-	-	89
-	-	-	-	-	-	88
-	-	-	-	-	-	87
2	2	2	-	2-21000-7	SCR, SKT HD CAP 8-32 X .500	86
1	1	1	-	2-22603-0	SCR, HEX HD CAP 8-32 X .312	85
-	-	-	-	-	-	84
1	1	1	-	2-21000-7	SCR, SKT HD CAP 8-32 X .500	83
-	-	-	-	-	-	82
-	-	-	-	-	-	81
1	1	1	-	3-21000-4	SCR, SKT HD CAP 10-32 X .375	80
1	1	1	-	455888-3	SPACER, CRIMPER	79
-	-	-	-	455749-1	GUARD WINDOW	78
REF	-	-	-	679532-1	INSERT, GUARD	77
-	-	-	-	-	-	76
-	-	-	-	-	-	75
-	-	-	-	-	-	74
1	1	1	-	690603-1	SPRING ASSIST AMP-O-MATOR APPLICATOR	73
-3	-2	-1	U/M	PART NO	DESCRIPTION	ITEM NO

-	-	-	-	23030-1	SCR, SKT HD CAP 6-32 X .25	73
-	-	-	-	-	-	72
-	-	-	-	-	-	71
-	-	-	-	-	-	70
-	-	-	-	-	-	69
-	-	-	-	-	-	68
-	-	-	-	-	-	67
-	-	-	-	-	-	66
-	-	-	-	-	-	65
-	-	-	-	-	-	64
-	-	-	-	-	-	63
-	-	-	-	-	-	62
-	-	-	-	-	-	61
-	-	-	-	-	-	60
-	-	-	-	-	-	59
-	-	-	-	-	-	58
-	-	-	-	-	-	57
1	1	1	-	458537-2	PAWL, FEED	56
-	-	-	-	-	-	55
-	-	-	-	-	-	54
-	-	-	-	-	-	53
-	-	-	-	-	-	52
-	-	-	-	-	-	51
1	1	1	-	811242-2	BUMPER, HOLD DOWN	50
1	1	1	-	690753-1	SPACER, TONKER	49
1	-	-	-	690602-6	CAM, PRE FEED, 1 5/8	48
-	1	-	-	690602-5	CAM, PRE FEED, 1 1/8	47
-	-	1	-	690501-4	CAM, POST FEED, 1 5/8	46
1	1	1	-	459456-1	APPL. BASIC SUB ASSY (SIDE WISE MOCA)	45
1	1	1	-	690191-1	PLUG, NYLON	44
1	1	1	-	455673-1	RAM, SIDE FEED	43
1	1	1	-	690125-1	SHIM SUB-ASSY	42
1	1	1	-	690124-1	WASHER, RAM (.115)	41
1	1	1	-	7-21002-9	SCR, BTN SKT HD CAP 5/16-24 X 1.00	40
1	1	1	-	23241-6	BALL, STEEL	39
1	1	1	-	690170-1	SPRING, COMPRESSION	38
1	1	1	-	690142-1	DISC, INSULATION	37
1	1	1	-	354777-1	WIRE DISC, ASSEMBLY	36
1	1	1	-	22480-5	SPRING, COMPRESSION	35
1	1	1	-	690212-1	POST, RAM	34
1	1	1	-	690786-3	TERMINAL SUPPORT	33
-	-	-	-	-	-	32
-	-	-	-	-	-	31
1	1	1	-	1-1320908-5	SPACER, STRIP GUIDE	30
1	1	1	-	1633091-1	SUB-ASSEMBLY, FEEDTRACK	29
1	1	1	-	1-455888-0	SPACER, CRIMPER	28
-	-	-	-	-	-	27
-	-	-	-	-	-	26
-	-	-	-	-	-	25
1	1	1	-	1320928-3	PLATE, STRIP GUIDE	24
-	-	-	-	-	-	23
-	-	-	-	-	-	22
-	-	-	-	-	-	21
-	-	-	-	-	-	20
1	1	-	-	691353-1	STRIPPER	19
-	-	-	-	-	-	18
-	-	-	-	-	-	17
1	1	1	-	318563-1	GUARD, FRONT CHIP	16
-	-	-	-	-	-	15
-	-	-	-	-	-	14
-	-	-	-	-	-	13
1	1	1	-	3-22280-3	SPRING, COMPRESSION	12
1	1	1	-	690461-1	STOP, SHEAR	11
1	1	1	-	690459-1	SHEAR HOLDER, FRONT	10
1	1	1	-	462006-7	FLOATING SHEAR, FRONT	9
1	1	1	-	1-1633107-3	ANVIL, COMBINATION .062	8
-	-	-	-	-	-	7
-	-	-	-	-	-	6
1	1	1	-	2-455889-0	DEPRESSOR, SHEAR	5
1	1	1	-	238011-7	BLOCK, CRIMPER SPACER	4
1	1	1	-	2-456134-2	CRIMPER, INSULATION F PREMIUM	3
1	1	1	-	1-455888-0	SPACER, CRIMPER	2
1	1	1	-	1-456403-6	CRIMPER, WIRE PREMIUM	1



DIMENSIONS:		TOLERANCES UNLESS OTHERWISE SPECIFIED:		CUSTOMER DRAWING	
INCHES		0 PLC	±	WEIGHT	
		1 PLC	±0.1	SCALE	3:5
		3 PLC	±0.01	SHEET	1 OF 1
		4 PLC	±0.001	REV	B
		ANGLES	±0.0001		

DWG: HERR 26SEP2005
 CHK: GROSS 26SEP2005
 APVD: EBLIN 27SEP2005
 NAME: SIDE FEED HDM APPLICATOR
 SIZE: A1
 CAGE CODE: 00779
 DRAWING NO: 1852133
 RESTRICTED TO: CUSTOMER VIEWABLE ASSEMBLY

Mouser Electronics

Authorized Distributor

Click to View Pricing, Inventory, Delivery & Lifecycle Information:

[TE Connectivity:](#)

[1852133-2](#)