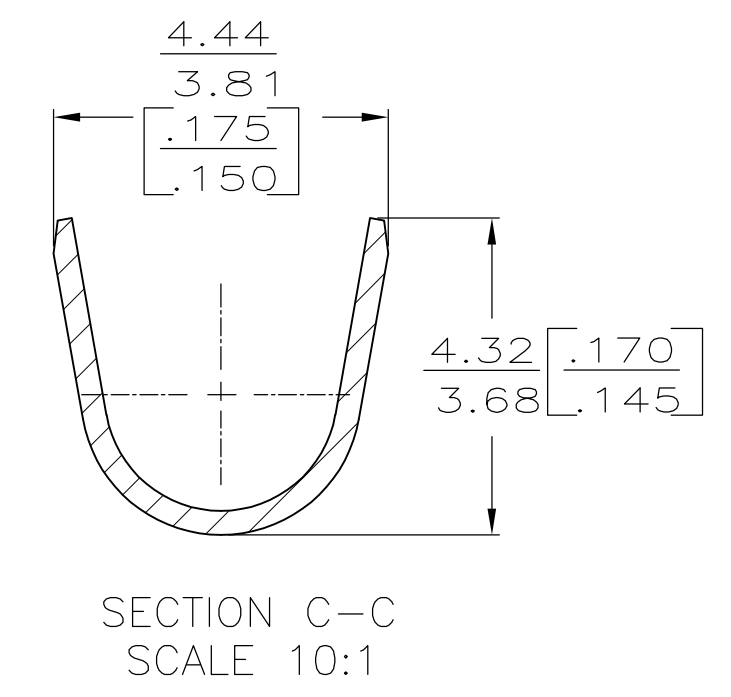
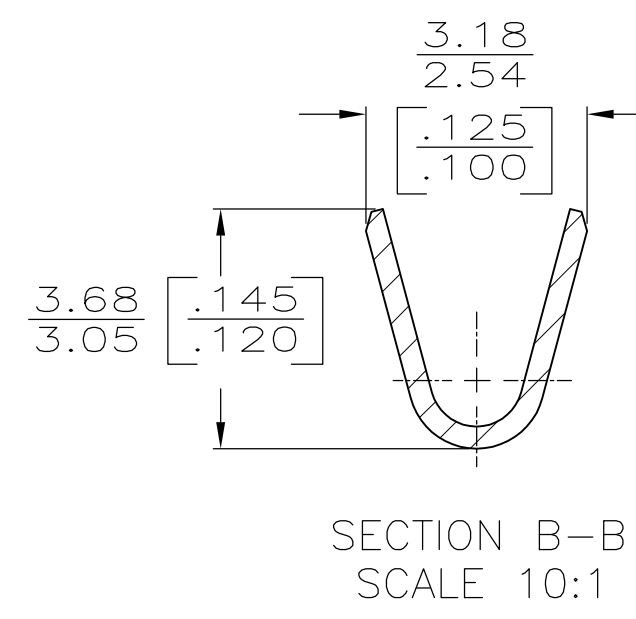
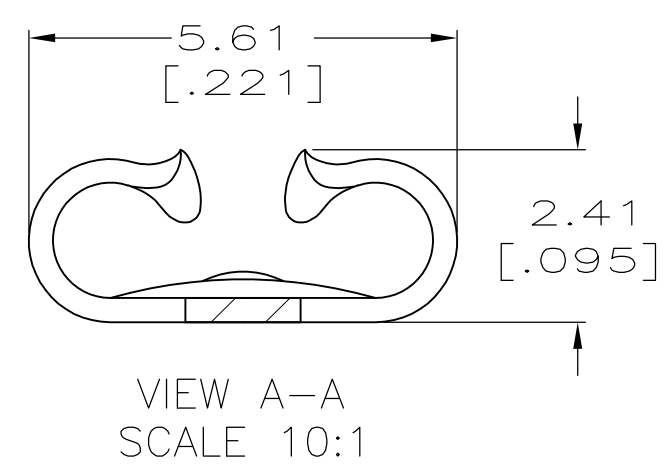
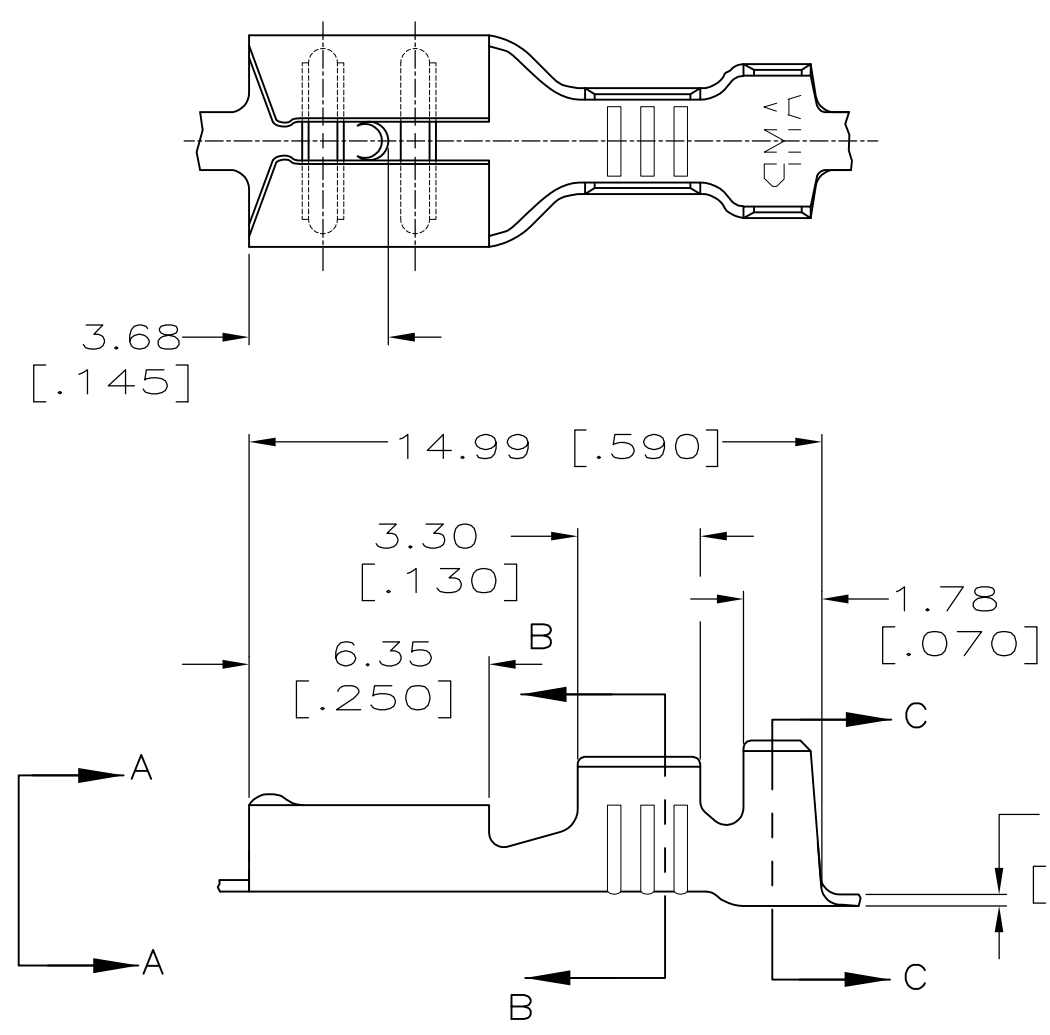


THIS DRAWING IS UNPUBLISHED. RELEASED FOR PUBLICATION  
 © COPYRIGHT - By - ALL RIGHTS RESERVED.

LOC	DIST	REVISIONS			
P	LTR	DESCRIPTION	DATE	DWN	APVD
AF	50	S2	REVISED PER ECR-15-010442	14JULY2015	PK TD

- CONTINUOUS STRIP ON REELS.
- MATING TAB THK IS  $0.81 \pm 0.025$   
[.032 ± .001].
- WIRE SIZE IS [20-16] AWG.
- INSULATION RANGE IS 2.29-3.30  
[.090-.130] DIA.
- 60196-8 REFERS TO 60196-1 WITH PAPER INTERLAYER



-	-	60196-8 <sup>5</sup>
60196-3	TIN	60196-2
-	-	60196-1
LOOSE PIECE	FINISH	PART NO

THIS DRAWING IS A CONTROLLED DOCUMENT.		DWN	JR RUTH	8/27/91	<b>STE</b> TE Connectivity		
DIMENSIONS: INCHES		CHK	P FORTNEY	8/27/91			
TOLERANCES UNLESS OTHERWISE SPECIFIED:		APVD	C MEYERS	8/27/91	NAME		
0 PLC ± - 1 PLC ± - 2 PLC ± 0.38 [.015] 3 PLC ± - 4 PLC ± - ANGLES ± -		PRODUCT SPEC		RECEPTACLE, FASTON, 4.75 [.187] SERIES			
MATERIAL: BRASS		FINISH: SEE TABLE		APPLICATION SPEC		RESTRICTED TO	
		WEIGHT: -		SIZE	CAGE CODE	DRAWING NO	
		CUSTOMER DRAWING		A3	00779	C-60196	
		SCALE		5:1	SHEET	1 OF 1	
		REV		S2			

# Mouser Electronics

Authorized Distributor

Click to View Pricing, Inventory, Delivery & Lifecycle Information:

[TE Connectivity:](#)

[60196-3](#)