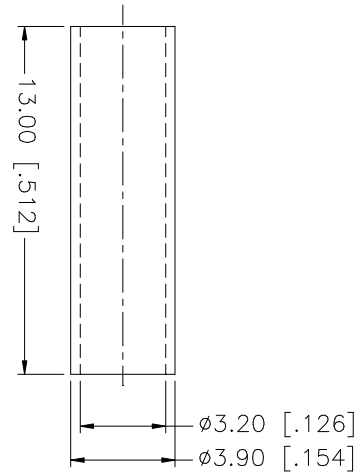
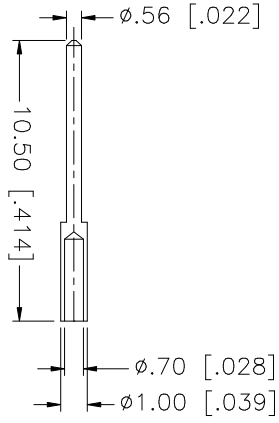
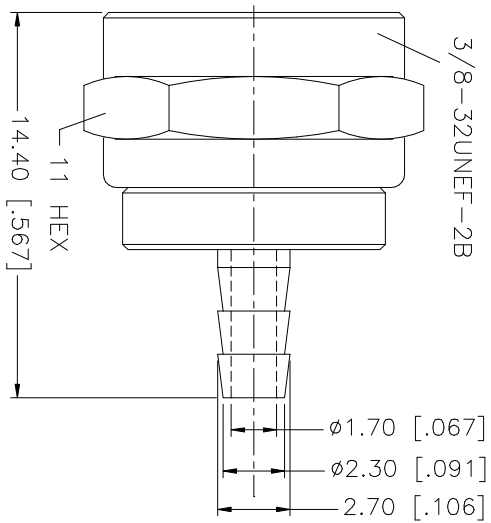
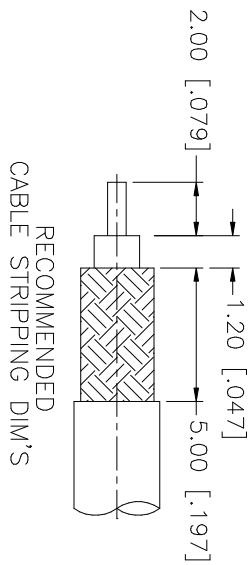


REV.	DATE	DESCRIPTION
A	11/19/02	UPDATE FERRULE DIMENSIONS



NOTES:

1. CRIMPED FERRULE
HEX CRIMP SIZE ".128"

8				UNLESS OTHERWISE SPECIFIED DIMENSIONS ARE IN MILLIMETERS	APPROVALS	DATE	TITLE			REV.
7				DIMENSIONS IN [] ARE IN INCHES FOR CUSTOMER REFERENCE ONLY	G.R.S.	11/19/02	F CRIMP PLUG (FOR RG-316/U, 174/U, 188A/U, CABLE)			A
6					CHECKED		Amphenol - Connex CONNECTOR CORPORATION			
5					ISSUED		F CRIMP PLUG (FOR RG-316/U, 174/U, 188A/U, CABLE)			
4	FERRULE	COPPER	TIN LEAD				SIZE	FSCM NO.	DWG. NO.	
3	CONTACT PIN	BRASS	BRT. TIN				A	99001	222184.DWG	
2	INSULATOR	TEFLON	NATURAL				SCALE	PART NO.		
1	BODY/SHELL	BRASS	TIN LEAD				N/A	222184		
	DESCRIPTION	MATERIAL	FINISH	DO NOT SCALE DRAWING					SHEET	1 OF 1

Mouser Electronics

Authorized Distributor

Click to View Pricing, Inventory, Delivery & Lifecycle Information:

[Amphenol:](#)

[222184](#)