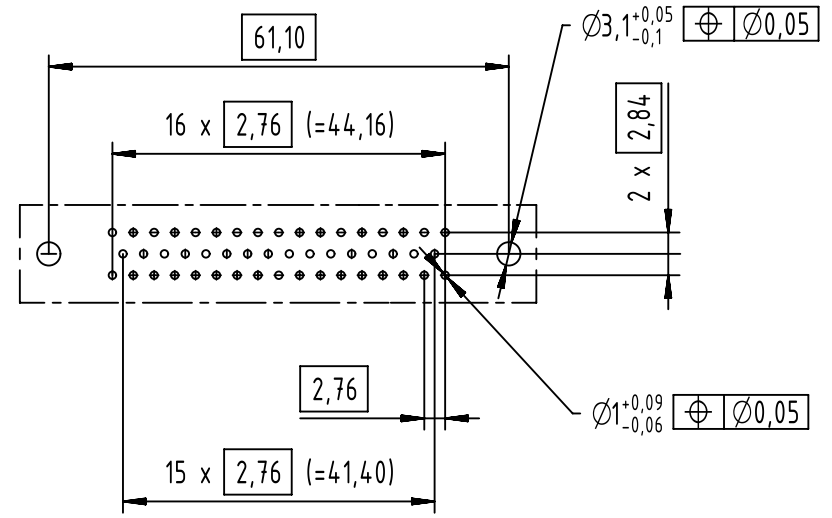
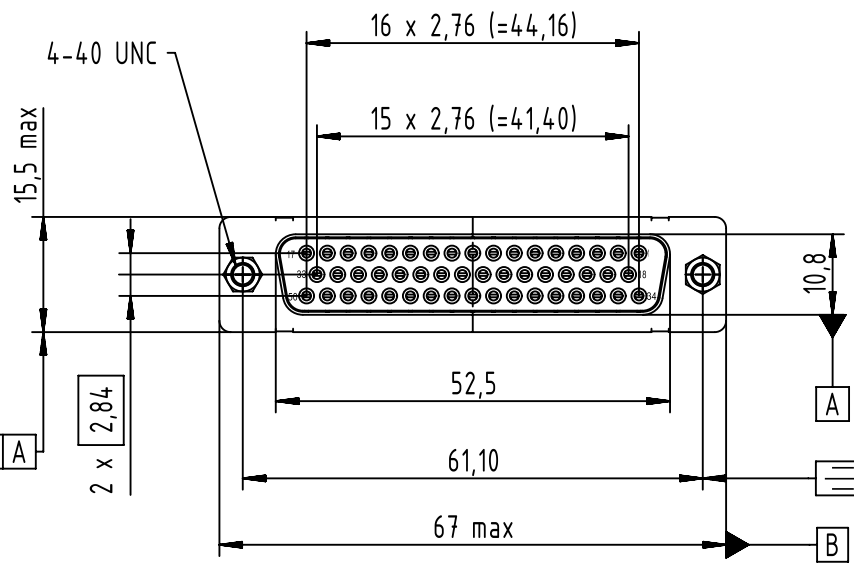
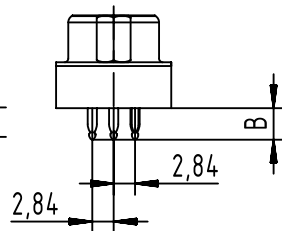


PC-Board layout
view component side
thickness up to 3,2 mm



	All Dimensions in mm Original Size DIN A4		Scale 1:1	Free size tol.		Ref.
	All rights reserved Department EC PD - FR		Created by LAVERGNEC	Inspected by BAGDIKIAN	Standardisation HOFFMANN	Sub.
		HARTING Electronics GmbH D-32339 Espelkamp		Date 2014-04-02		State Final Release
Title D-Sub 50-pole female straight press-in				Doc-Key / ECM-Nr. 100571995/UGD/001/A 500000072779		Rev. A
Type TB				Number 0966554X513		Page 1/1

D	09665547513	3	6	4,20
	09665546513	2	6	4,20
	09665545513	S4 PdNi	6	4,20
	Part number	Performance level	A +/- 0,2	B +/- 0,2

Mouser Electronics

Authorized Distributor

Click to View Pricing, Inventory, Delivery & Lifecycle Information:

[HARTING:](#)

[09665546513](#)