

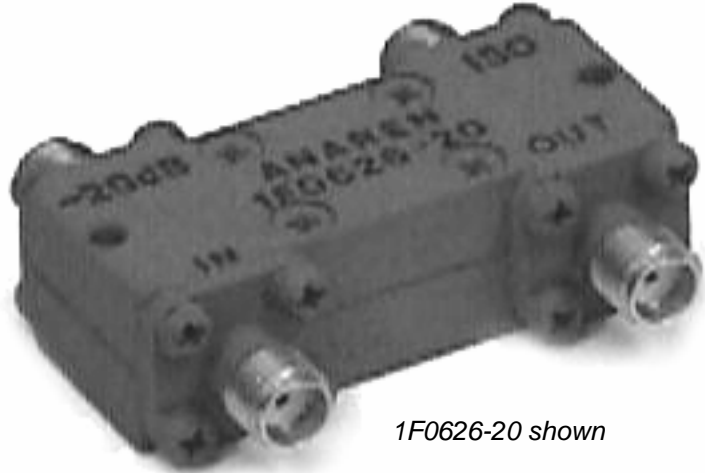
Directional Couplers "H" Style

Applications

- Subassemblies
- Lab Systems
- Leveling Loops
- Power Monitoring
- Test and Calibration

Features

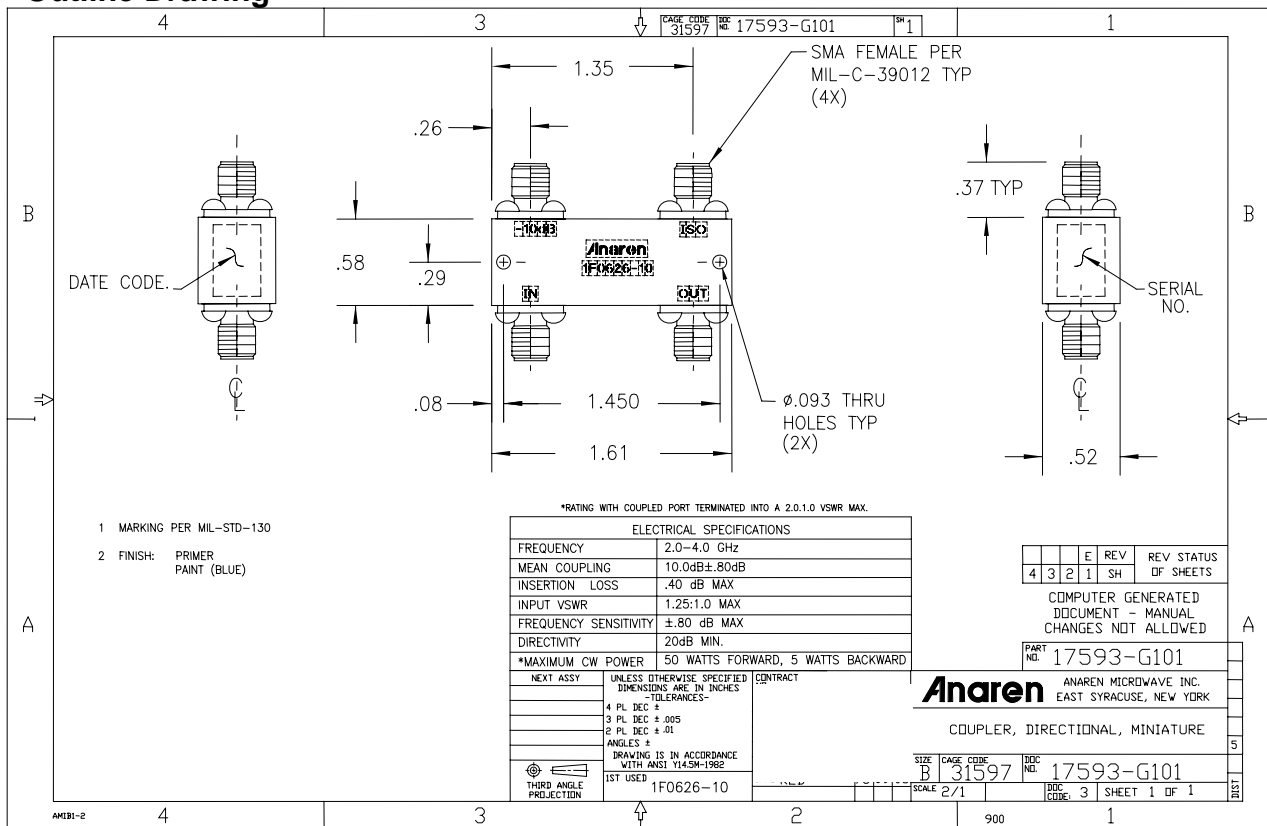
- Military Grade
- 2.0 – 4.0 GHz
- "H" Style Configuration
- Connectors Per MIL-C-39012
- Rugged Aluminum Housing
- High Directivity
- Meets MIL-E-5400 Class 3 Requirements



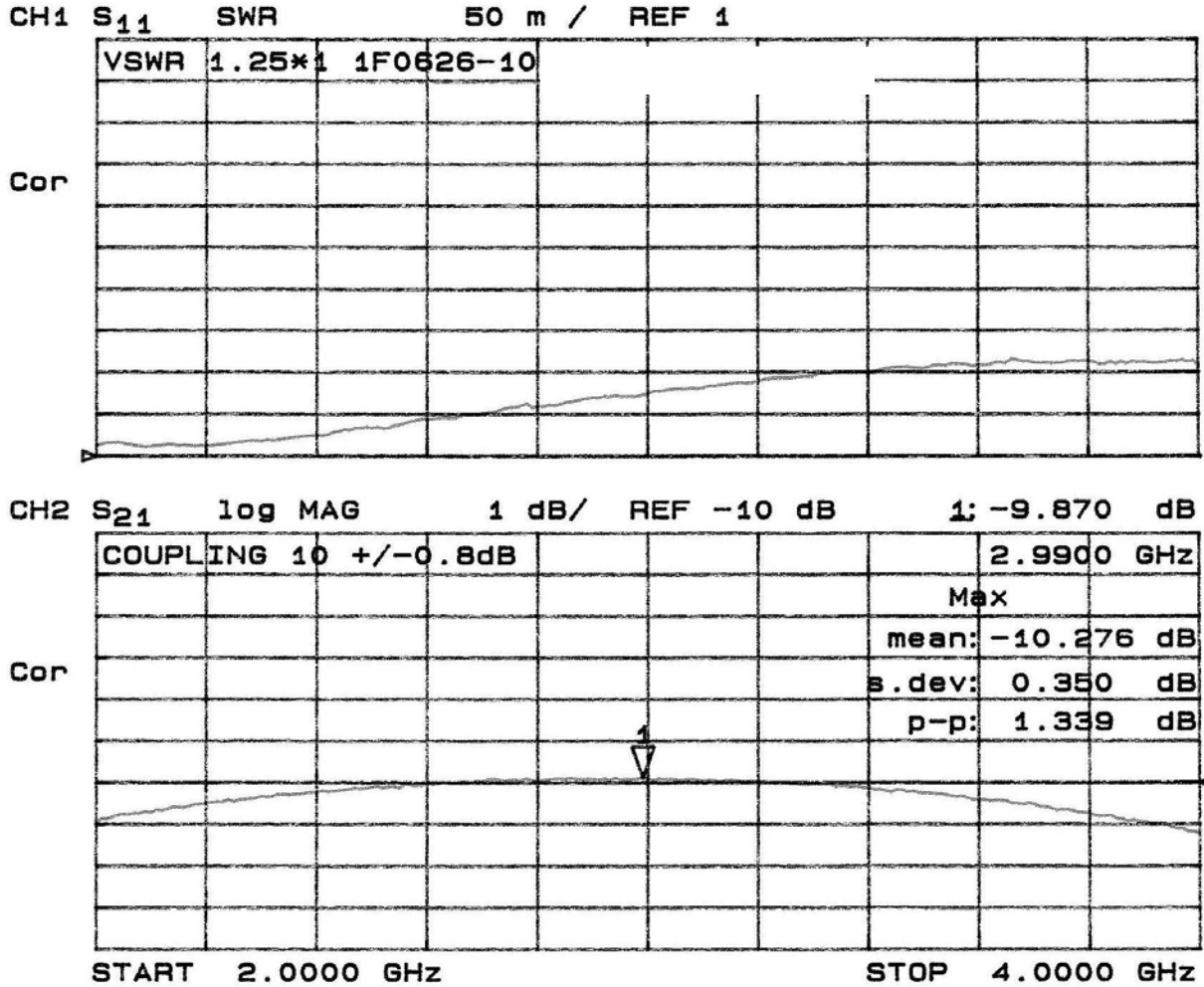
1F0626-20 shown

NOTES: The power rating applies when optional termination is supplied by Anaren and coupled port VSWR is 2.0:1 or less. Higher power can be handled with a lower VSWR termination
Electrical and Mechanical Specifications subject to change without notice

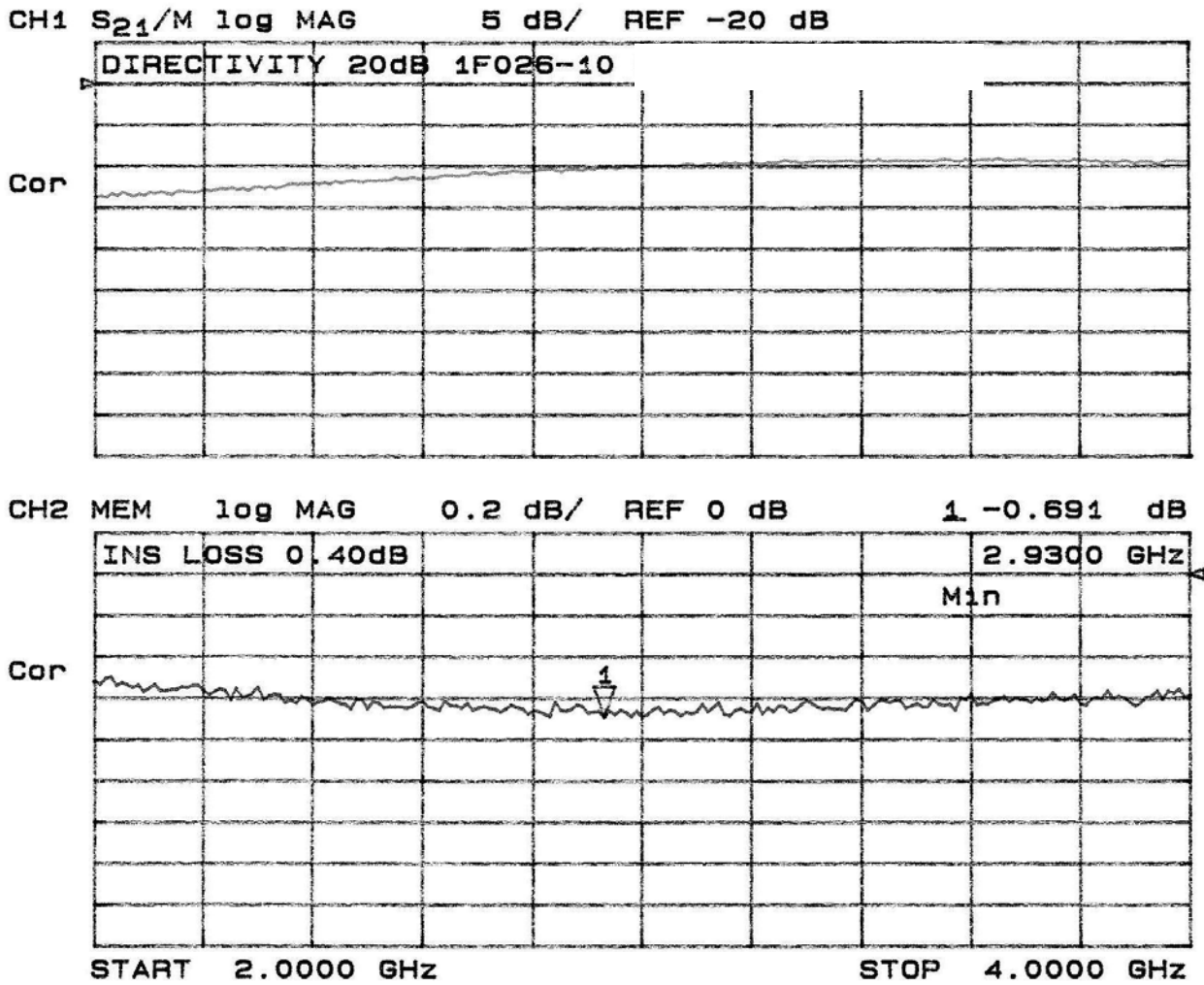
Outline Drawing



Typical Test Data Plots



Typical Test Data Plots



Mouser Electronics

Authorized Distributor

Click to View Pricing, Inventory, Delivery & Lifecycle Information:

[Anaren:](#)

[1F0626-10](#)