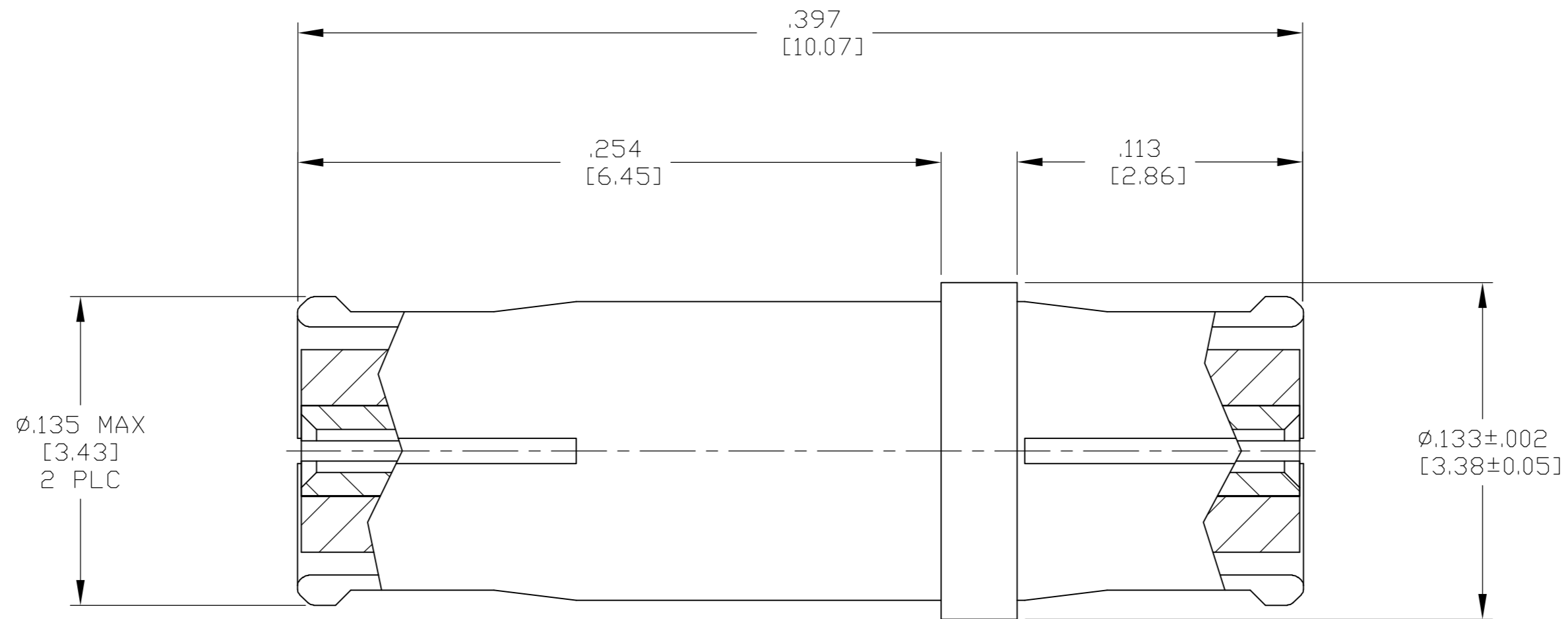


THIS DRAWING IS UNPUBLISHED. RELEASED FOR PUBLICATION		
© COPYRIGHT BY TYCO ELECTRONICS CORPORATION. ALL RIGHTS RESERVED.		
OUTER CONTACT	BERYLLIUM COPPER PER ASTM-B196, ALLOY C17300, CONDITION H	GOLD PLATE PER ASTM-B-488
DIELECTRIC	TFE FLUOROCARBON PER ASTM-D-1457	N/A
COMPONENT	MATERIAL	FINISH

LOC	DIST	REVISIONS					
DF	X0	P	LTR	DESCRIPTION	DATE	DWN	APVD
		0		RELEASED	4-8-05	CT	BM



1. SPECIFICATIONS SHOWN DERIVED FROM TESTING USING THIS ADAPTER AND A TEST FIXTURE AS SPECIFIED IN DSCC SPEC 94007. VSWR: DC-23GHz: 1.10:1 MAX; 23-26.5GHz: 1.15:1 MAX; 26.5-40GHz: 1.7:1 MAX.
2. INTERFACE PER MIL-STD-348A, FIGURE 326-1; BOTH ENDS.
3. REF DSCC DRAWING NUMBER: 94007ZCG-2

ELECTRICAL	MECHANICAL	ENVIRONMENTAL
NOMINAL IMPEDANCE (OHMS) 50 ± 1	Force to Engage (Lbs MAX) 10.0	TEMPERATURE RATING -65° TO $+125^{\circ}$ C
Frequency Range (GHz) DC to 40GHz	Disengage (In Lbs MIN) 2.0	Vibration MIL-STD-202, Method 204, Condition D
Volt Rating (VRMS MAX) @ Sea Level 335	Center Contact Retention (Lbs MIN) 1.5	Thermal Shock MIL-STD-202, Method 107, Condition B
VSWR 1	RDIAL MISALIGNMENT: $\pm .020$	Corrosion - MIL-STD-202, Method 101, Condition B
RF Leakage (2-3GHz) -80dB Min	Axial Misalignment: $.000/.010$	Moisture Resistance: MIL-STS-202, Method 106.
Insertion Loss $.010 \sqrt{f}$ GHz dB MIN. 1	Durability: 100 cycles	
Corona, 70,000 Ft (VRMS MIN) 190		
Dielectric Withstanding Voltage (VRMS MIN) @ Sea Level 500		
Contact Resistance (Milliohms MAX) Center Contact (Mated Pair) 6.0		
RF High Potential @ Sea Level (VRMS MIN @ 5 MHz) 325		
I.R.(Megohms MIN) 5,000		

1757023-1
PART NUMBER

THIS DRAWING IS A CONTROLLED DOCUMENT.		DWN C.C.THOMAS 4-7-05	Tyco Electronics Corporation Harrisburg, Pa 17105-3608	
DIMENSIONS: INCHES [mm]		CHK B.MOYER 4-8-05		
TOLERANCES UNLESS OTHERWISE SPECIFIED:		APVD B. MOYER 4-8-05	NAME JACK TO JACK ADAPTER,SMP	
0 PLC ± -		PRODUCT SPEC	SIZE A2	
1 PLC ± -		APPLICATION SPEC	CAGE CODE 00779	
2 PLC ± -			DRAWING NO C=1757023	
3 PLC ± .001 [0.03]			RESTRICTED TO	
4 PLC ± -			SCALE 20:1	
ANGLES ± -		WEIGHT -	SHEET 1 OF 1	
FINISH SEE TABLE		CUSTOMER DRAWING	REV 0	

Mouser Electronics

Authorized Distributor

Click to View Pricing, Inventory, Delivery & Lifecycle Information:

[TE Connectivity:](#)

[1757023-1](#)