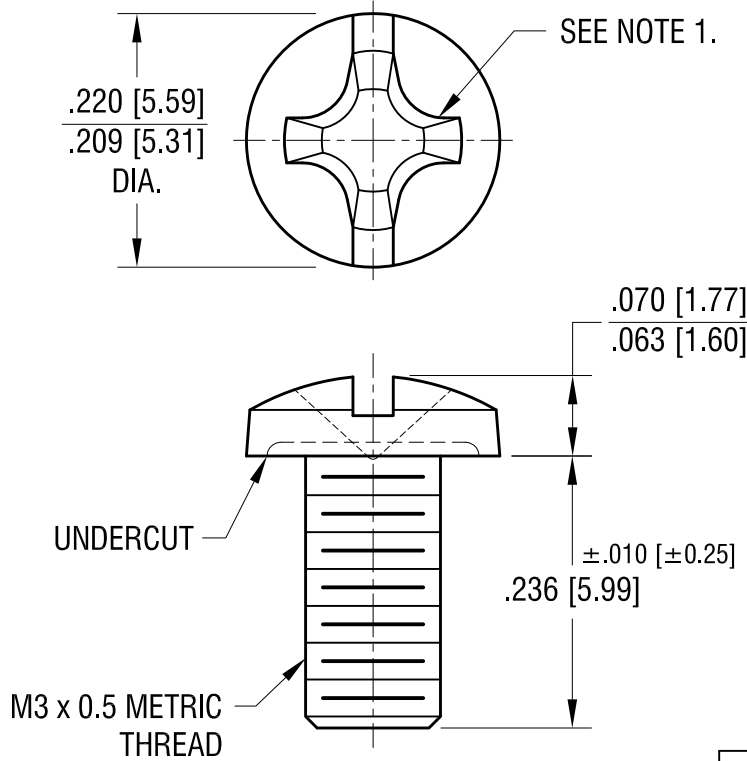
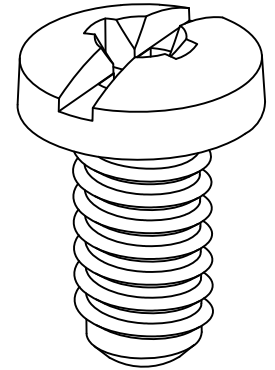


THIS DOCUMENT IS THE PROPERTY OF
KEYSTONE ELECTRONICS CORP. AND
SHALL NOT BE REPRODUCED, DISTRIBUTED
OR USED AS A BASIS FOR MANUFACTURE
WITHOUT PRIOR WRITTEN PERMISSION
FROM KEYSTONE ELECTRONICS CORP.



| PART NO. | HEAD COLOR |
|----------|------------|
| 9191-2 | RED |
| 9191-3 | BLACK |
| 9191-4 | WHITE |
| 9191-5 | BLUE |
| 9191-6 | GREEN |
| 9191-7 | YELLOW |

NOTE:

1. TO ACCEPT STANDARD SLOT OR PHILLIPS DRIVE.
2. HEAD OF SCREW IS POWDER COATED WITH COLOR AS INDICATED IN CHART.

KEYSTONE ELECTRONICS CORP.
www.keyelco.com • ASTORIA, N.Y. 11105-2017 • Tel (718) 956-8900

PART NAME
METRIC COMBINATION BINDING HD SCREW

MATERIAL
BRASS

| | | |
|-------------------------------|--------------|-----------------|
| FINISH NICKEL PLATE | DRN BY NT | DATE 1.26.10 |
| | APP'D LN | SCALE 6X |

TOLERANCES INCH [MM]
DECIMAL ± .005 [± 0.13]
ANGULAR ± 1°
UNLESS OTHERWISE SPECIFIED

CODE
C

DWG NO.
9191-2 - 9191-7

| DATE | DESCRIPTION | REV. |
|------|-------------|------|
| | | |

Mouser Electronics

Authorized Distributor

Click to View Pricing, Inventory, Delivery & Lifecycle Information:

[Keystone Electronics:](#)

[9191-5](#)