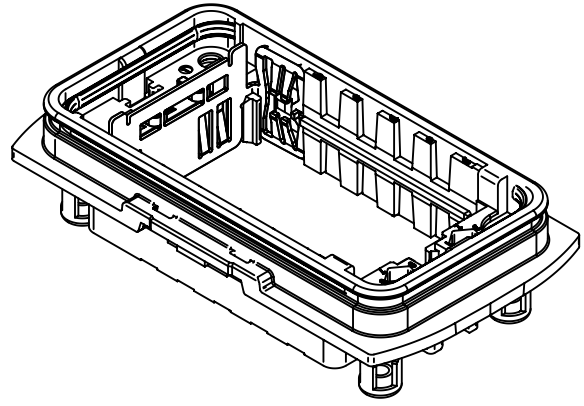
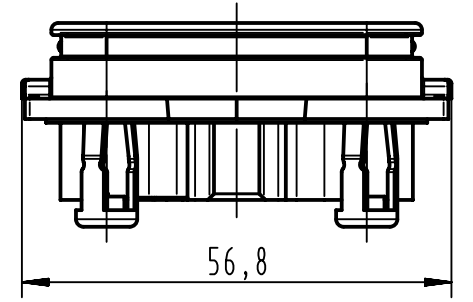
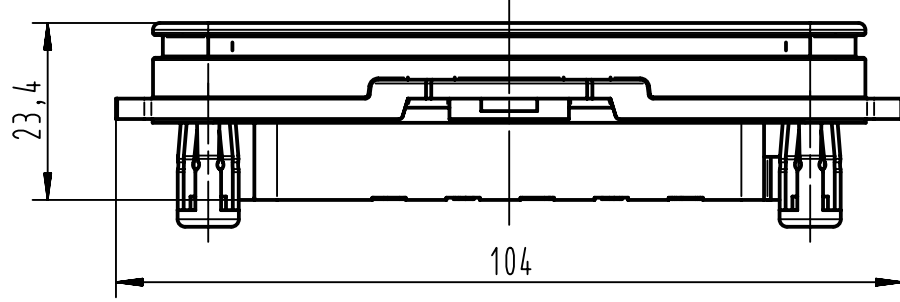
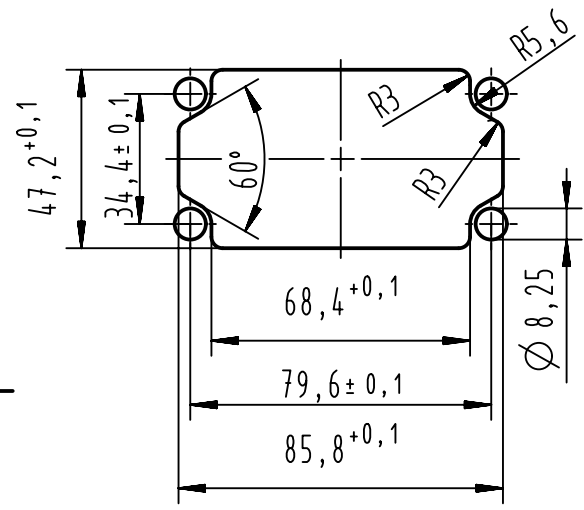


panel cut out
(1:2)



range of delivery: housing bulkhead mounting with gasket and JackNuts

| | | | | | | | | |
|---|--|--|--------------------------|-----------------------|-----------------------------|--------------------|--|--|
|  | All Dimensions in mm Original Size DIN A4 | | Scale 1:1 | | Free size tol. | | Ref. Sub. TB 11 12 600 0302 v. 23.03.10 | |
| | All rights reserved Department EL PD - DE | | Created by HOLLERT | Inspected by RIEPE | Standardisation TIEMANNA | Date 2013-04-11 | State Final Release | |
| HARTING Electric GmbH & Co. KG D-32339 Espelkamp | | Title Han-Yellock 60 bulkhead hsg-Molly Bolts | | | | | Doc-Key / ECM-Nr. 100189364/UGD/005/A 500000060741 | |
| | | Type TB | Number 11 12 600 0302 | | | Rev. A | Page 1/1 | |

Mouser Electronics

Authorized Distributor

Click to View Pricing, Inventory, Delivery & Lifecycle Information:

[HARTING:](#)

[11126000302](#)