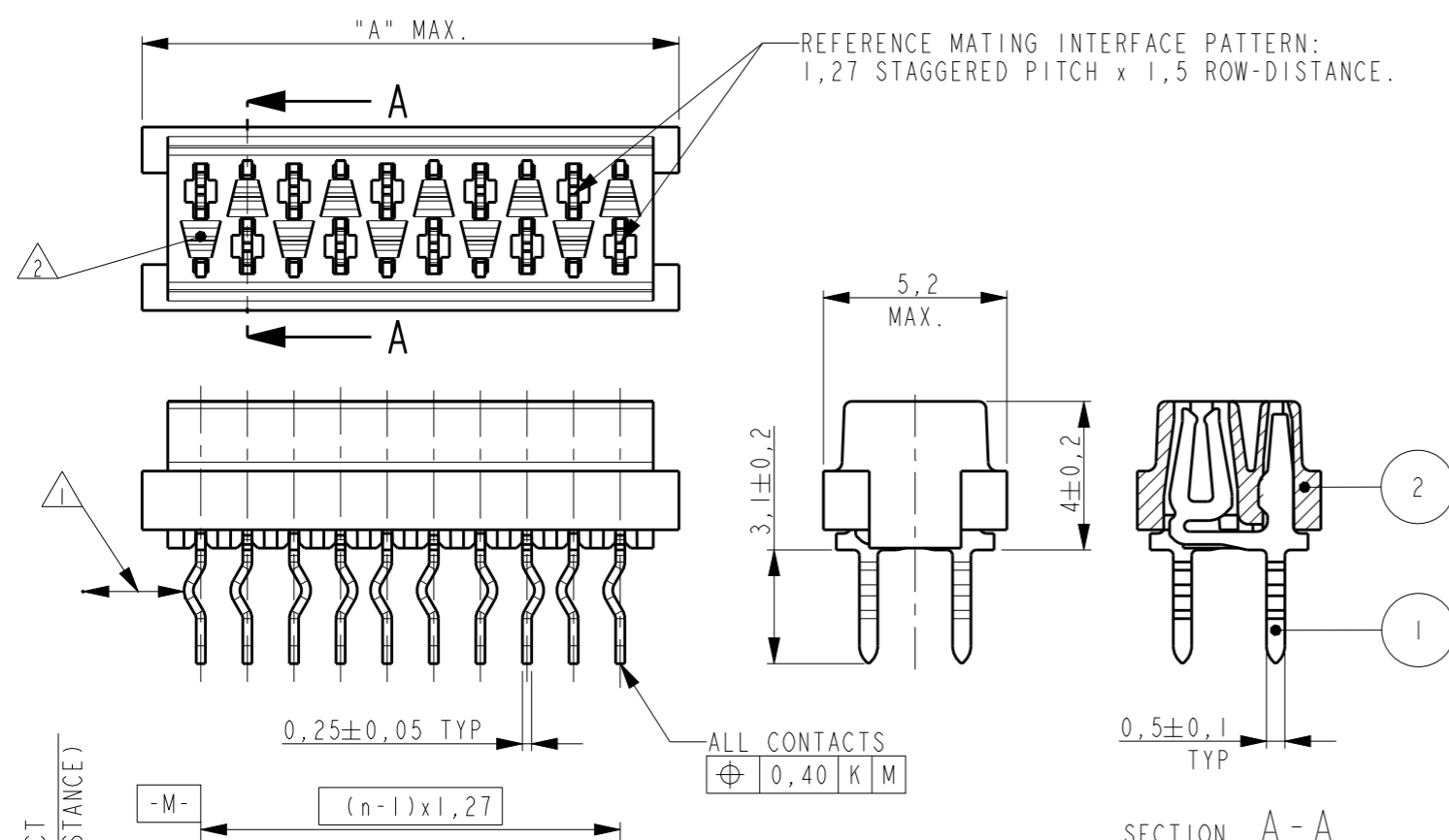


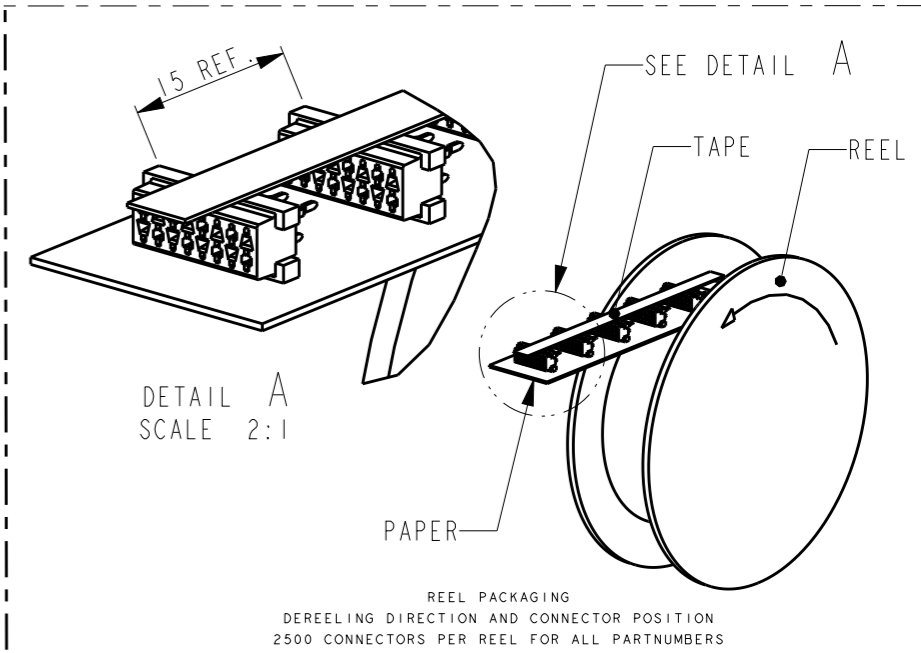
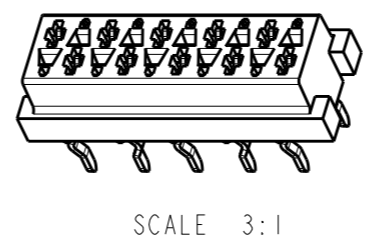
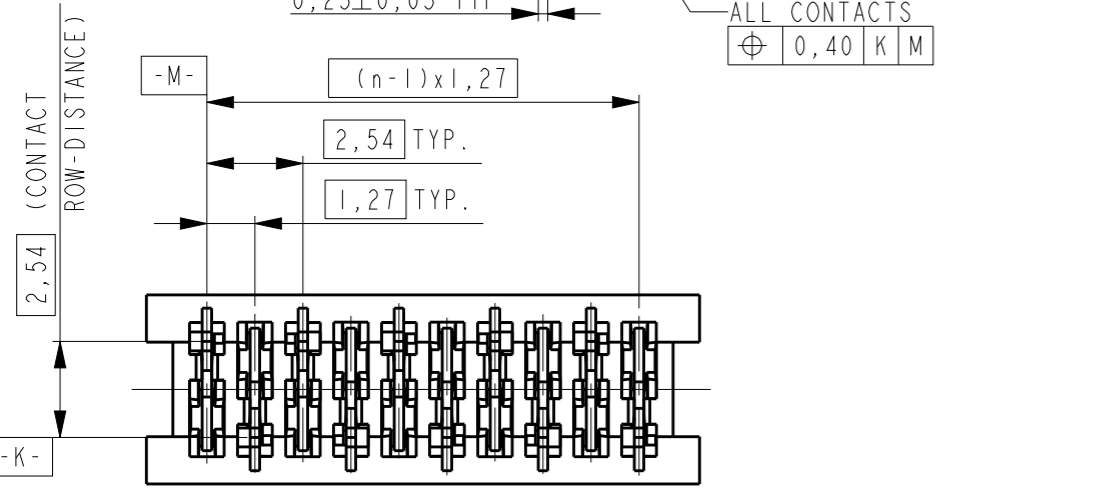
THIS DRAWING IS UNPUBLISHED. RELEASED FOR PUBLICATION
 © COPYRIGHT - BY - ALL RIGHTS RESERVED.

| REVISIONS | | | | |
|-----------|-----|-----------------|-----------|-------|
| P | LTR | DESCRIPTION | DATE | APVD |
| A | | INITIAL RELEASE | 08AUG2014 | PS JK |



NOTES:
 1 IN EACH ROW, DIRECTION OF KINKS STARTS RANDOM.
 IN EACH ROW, SEQUENTIAL CONTACTS HAVE OPPOSITE KINK DIRECTIONS.
 2 CORING-OUTS FOR MANUFACTURING PURPOSE ONLY.
 SHAPE MAY VARY, BUT IS NOT FUNCTIONAL FOR THE APPLICATION.
 3 SHOWN IS A 10 POSITION CONNECTOR.

| PARTNUMBER REEL PACKAGING | NO. OF POS. "n" | DIMENSION "A" MAX |
|---------------------------|-----------------|-------------------|
| 2178710-4 | 4 | 7,1 |
| 2178710-6 | 6 | 9,7 |
| 2178710-8 | 8 | 12,2 |
| 1-2178710-0 | 10 | 14,7 |
| 1-2178710-2 | 12 | 17,3 |
| 1-2178710-4 | 14 | 19,8 |
| 1-2178710-6 | 16 | 22,4 |
| 1-2178710-8 | 18 | 24,9 |
| 2-2178710-0 | 20 | 27,4 |



THIS DRAWING IS A CONTROLLED DOCUMENT.

| | |
|-------------|--|
| DIMENSIONS: | TOLERANCES UNLESS OTHERWISE SPECIFIED: |
| mm | 0 PLC ±- |
| | 1 PLC ±- |
| | 2 PLC ±- |
| | 3 PLC ±- |
| | 4 PLC ±- |
| | ANGLES ±- |
| MATERIAL | FINISH |
| SEE TABLE | SEE TABLE |

| | | | | | |
|------------------|-----------------------|---|----------------------------------|------------|---------------|
| 2 | FEMALE HOUSING | PBT | BLACK | | |
| 1 | FEMALE CONTACT | TIN BRASS | 3.0 -5.0µm TIN OVER 0.5µm NICKEL | | |
| ITEM NO. | COMPONENT DESCRIPTION | MATERIAL | FINISH / COLOR | | |
| DWN | 25JUL2014 | | | | |
| CHK | 02AUG2014 | | | | |
| APVD | 06AUG2014 | | | | |
| NAME | JAYANTH KUMAR | | | | |
| PRODUCT SPEC | 108-32087 | Micro-MaTch VALUE LINE FEMALE-ON-BOARD TOP ENTRY, THRU-HOLE CONNECTOR | | | |
| APPLICATION SPEC | - | SIZE | CAGE CODE | DRAWING NO | RESTRICTED TO |
| WEIGHT | - | A3 | 00779 | C=2178710 | - |
| Customer Drawing | SCALE | SHEET | OF | REV | |
| | 5:1 | 1 | 1 | A | |

Mouser Electronics

Authorized Distributor

Click to View Pricing, Inventory, Delivery & Lifecycle Information:

[TE Connectivity:](#)

[1-2178710-0](#)